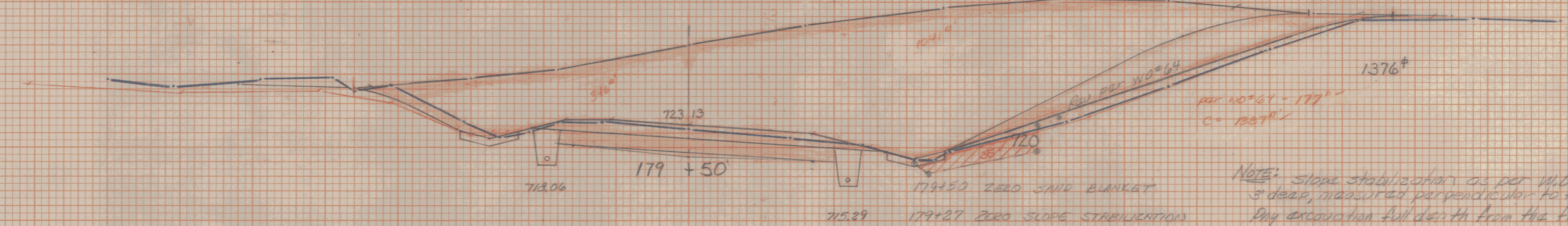
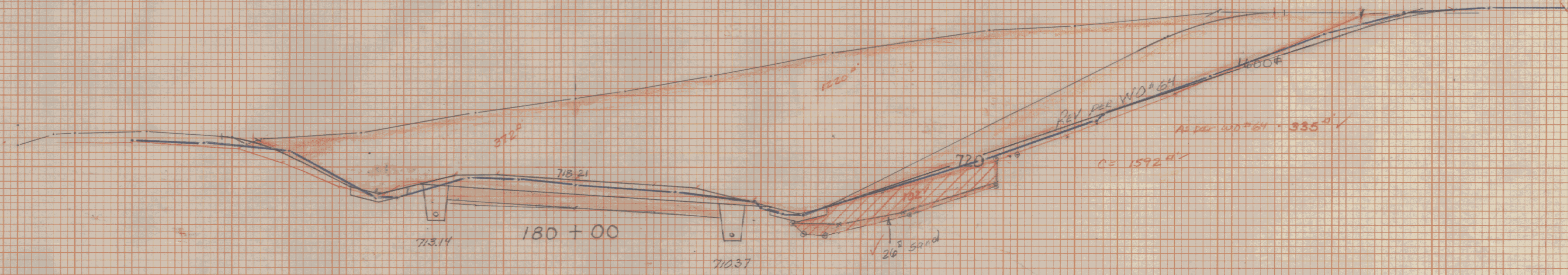
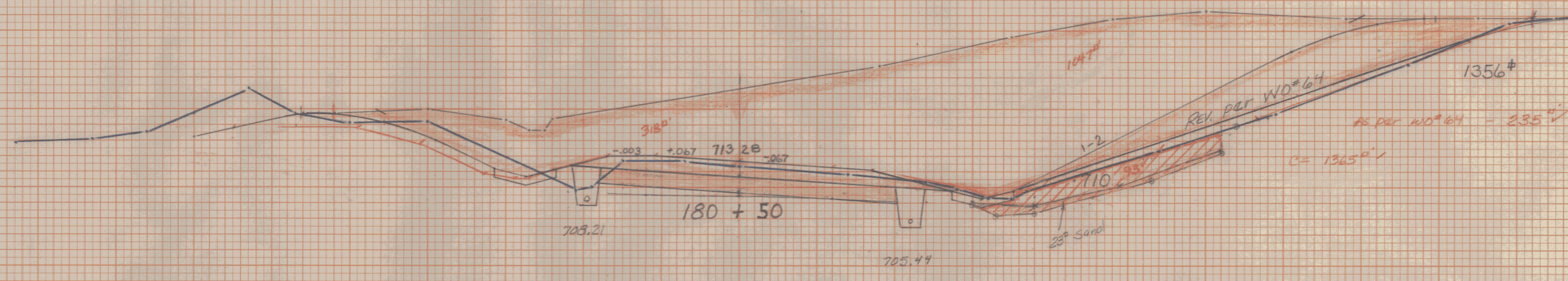
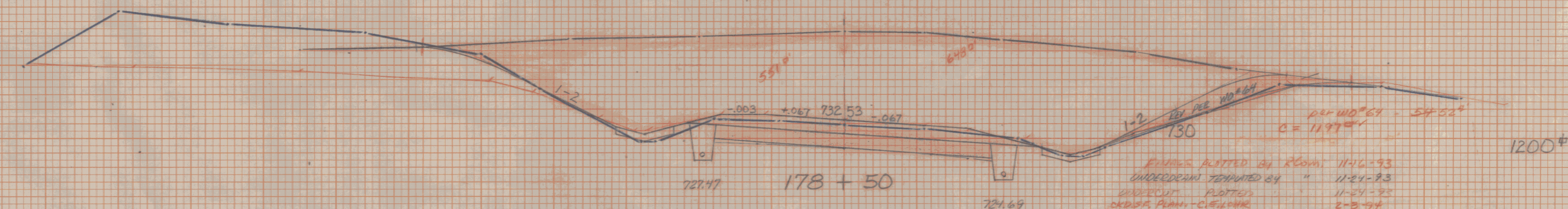
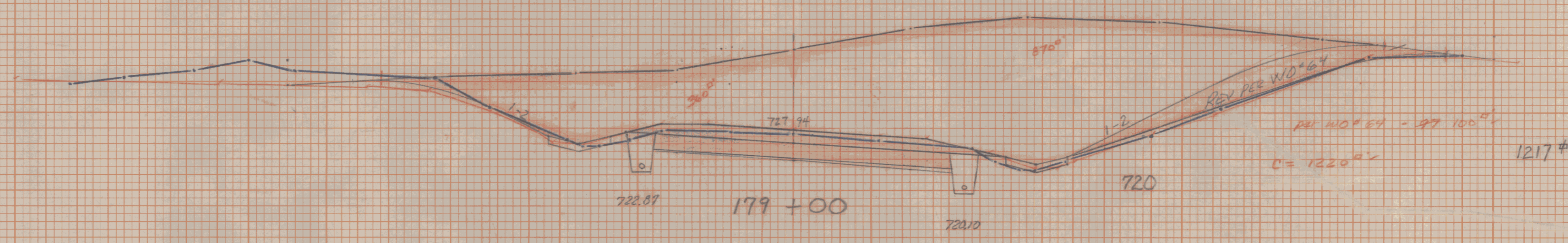


180+85 ZERO SLOPE STABILIZATION
 180+70 ZERO SAND BLANKET

| STA | DIST | AREA | VOL | AREA | VOL |
|--------|------|------|------|----------------|------|
| 179+27 | 23 | | 0 | | 0 |
| 180 | 50 | 0 | 241 | 35 | 149 |
| 180 | 50 | 26 | 49.4 | 102 | 186 |
| 180 | 20 | 23 | 3.5 | 93 | 65.4 |
| 188 | 18 | 0 | 0 | 0 | 0 |
| | | | 720 | 387.8 cubic ft | |



NOTE: slope stabilization as per W.D. 64, required excavation 3' deep, measured perpendicular to the road cut - 3.5' x (W.D. 64). Dig excavation full depth from the final slope line.



REV. SECTIONS
 STA 178+50 ~ 180+50
 EAST MONTPELIER
 RSEGC RS 0246(1)
 SHEET 15A OF 17A

FINAL SURVEY NOTE BOOK No. _____

ORIGINAL SURVEY NOTE BOOK No. _____