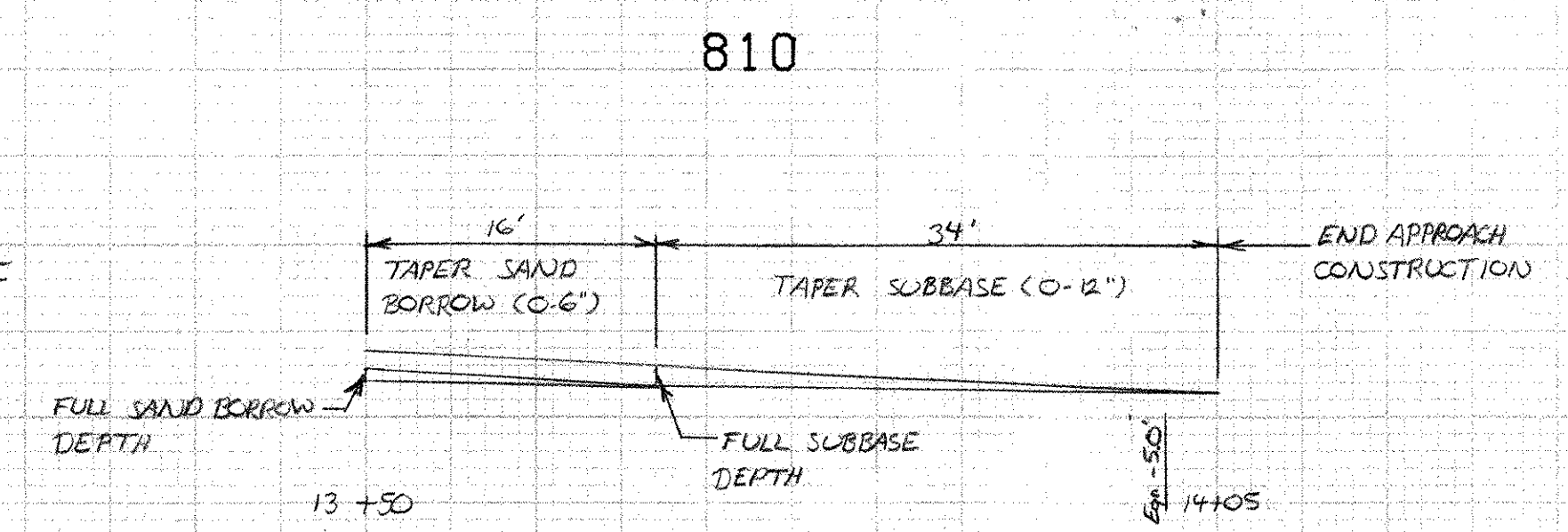
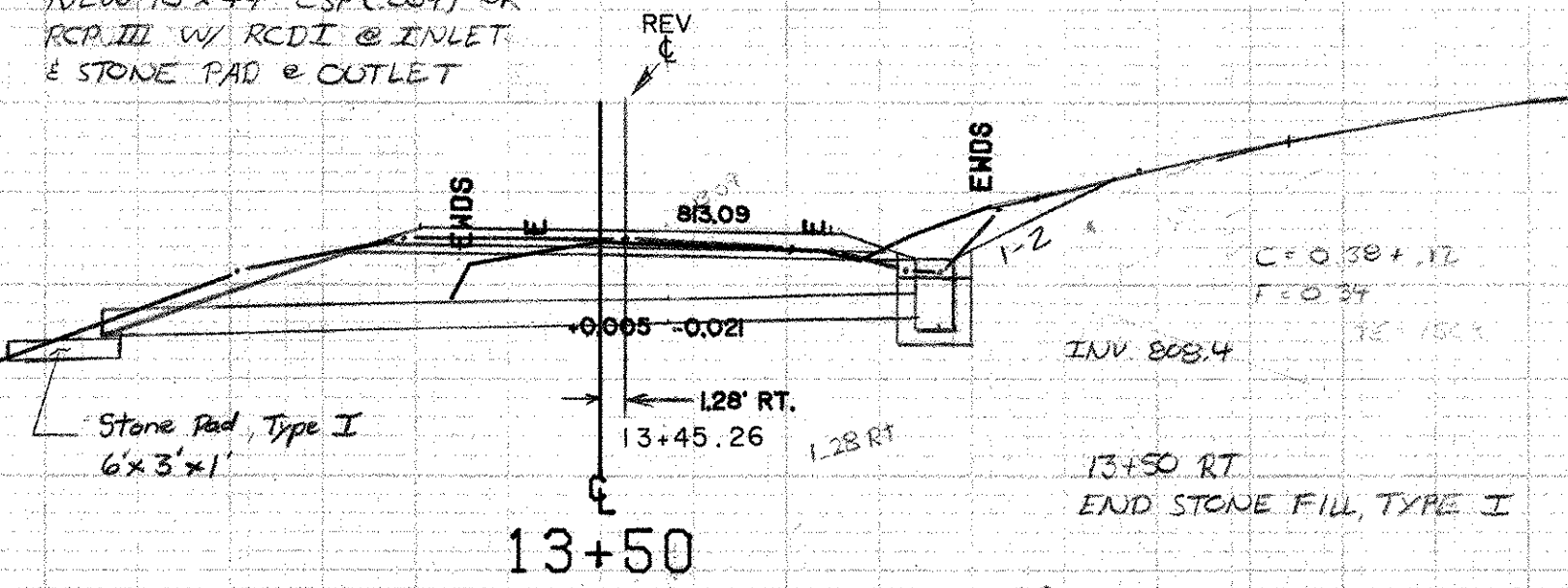


14+05 End Approach Construction

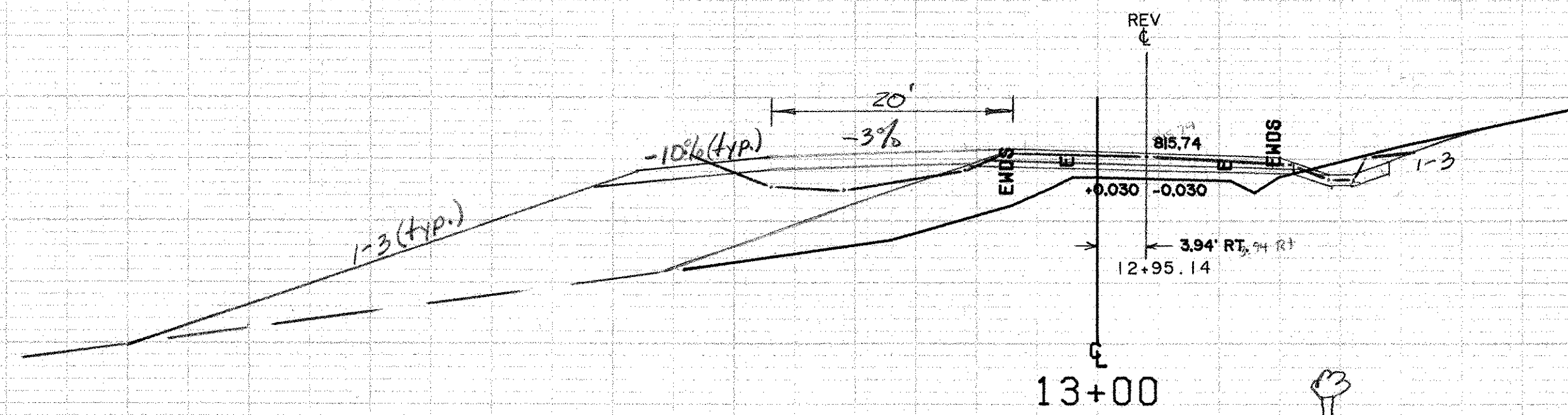
REV. PT 13+96.95 =
Surv. POT 14+01.95
Eq. = 5.00'

NOTE: DRIVE @ 13+00 LT; PIPE OUTLET @ 13+50 LT ARE TO BE ADJUSTED IN THE FIELD BY THE ENGINEER TO FIT EXISTING CONDITIONS AND/OR PLACEMENT OF EXCESS PROJECT EXCAVATION (SEE SPECIAL PROVISIONS).

REV. 13+50 @ ASKEW 65° 00' LT
NEW 18" x 44" CSP (CG4) OR
RCP III W/ RCDI @ INLET
& STONE PAD @ OUTLET

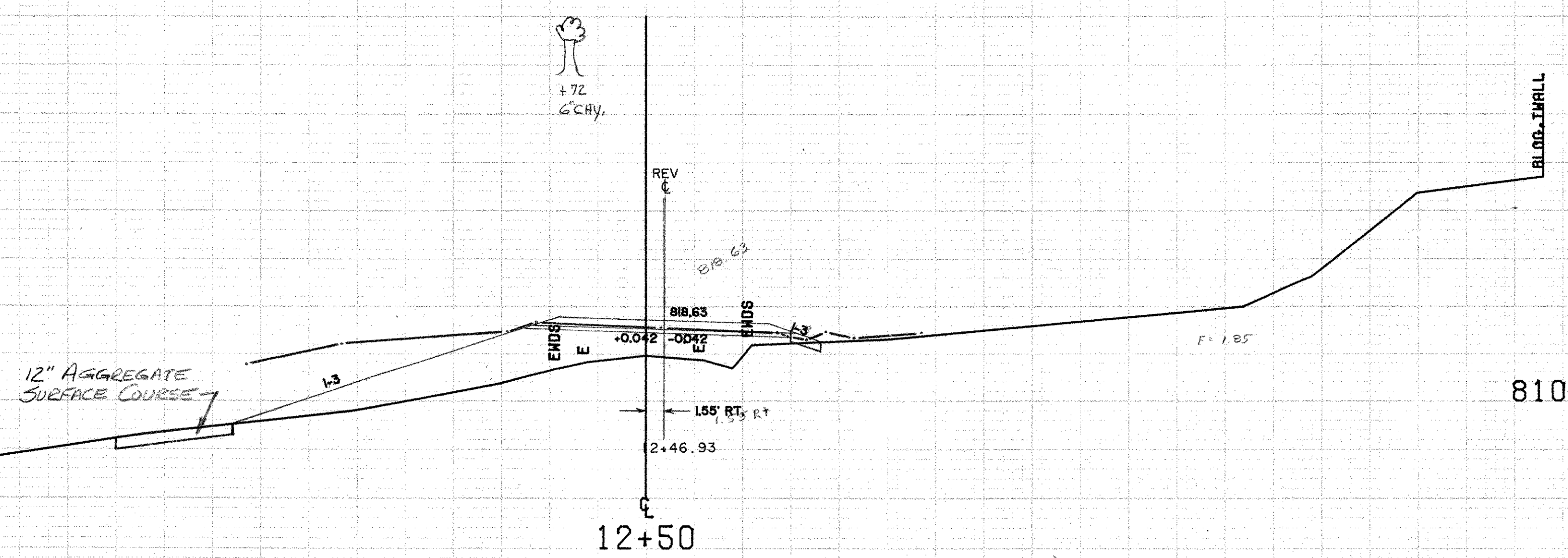


13+00 LT
CONSTRUCT DRIVE (12' WIDE)



+90
18" M

+75
6" ASH



+72
6" CHY.

FROM STA. 12+50	TO STA. 13+50
PROJECT NAME EAST MONTPELIER TH54	
NO. R50246(1)	PLOTTED 02/23/83
SURVEYED BY LAYALLEE	JAN82
SHEET 98 OF 128 SHEETS	

SCALE 10 FEET