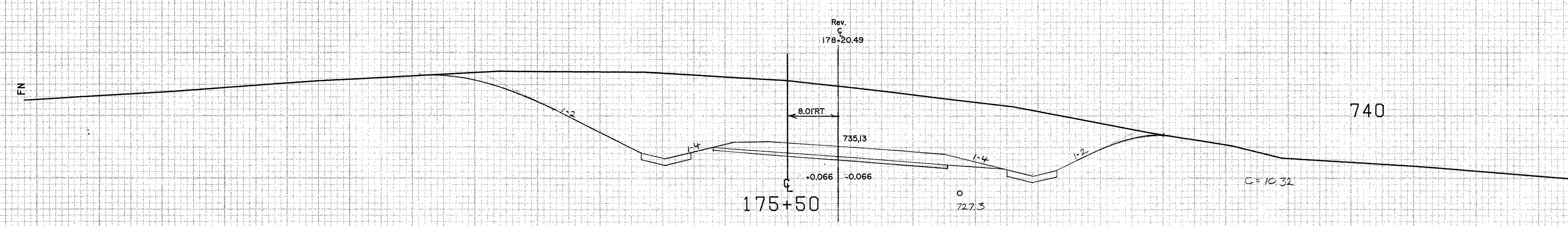
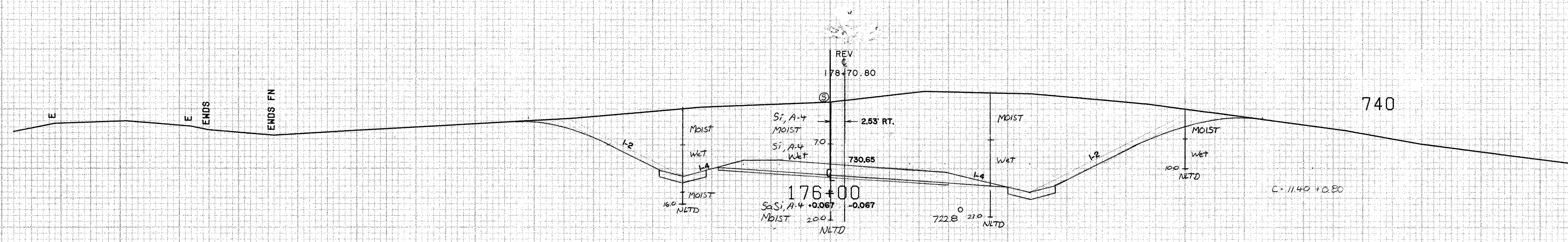
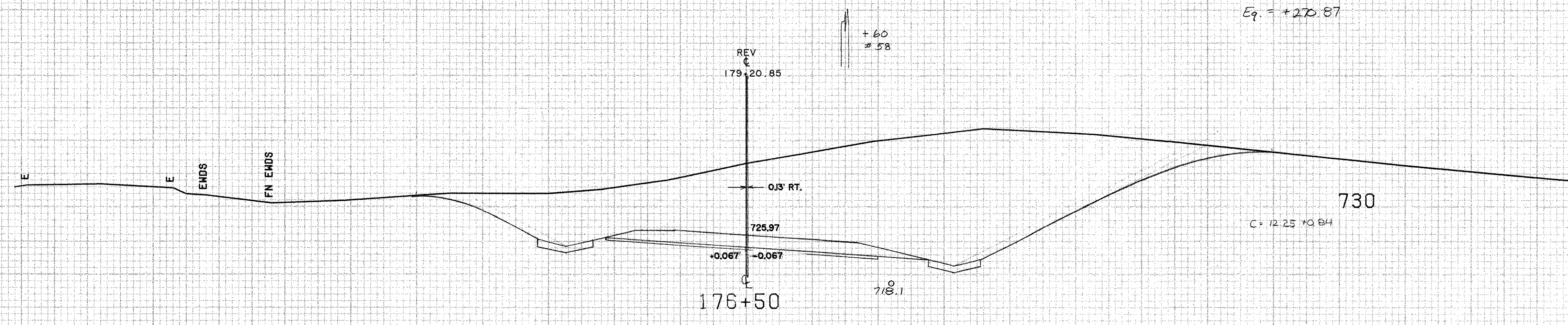


Rev. POC 179+35.12 =
 Surv. PC 176+64.25
 Eq. = +270.87



FROM STA.	175+50	TO STA.	176+50
PROJECT NAME	EAST MONTPELIER MAIN		
NO.	RS0246(1)		
SURVEYED BY	LAVALLEE	PLOTTED	02/24/83
SHEET	84	OF	128 SHEETS

SCALE 1" = 10 FEET