

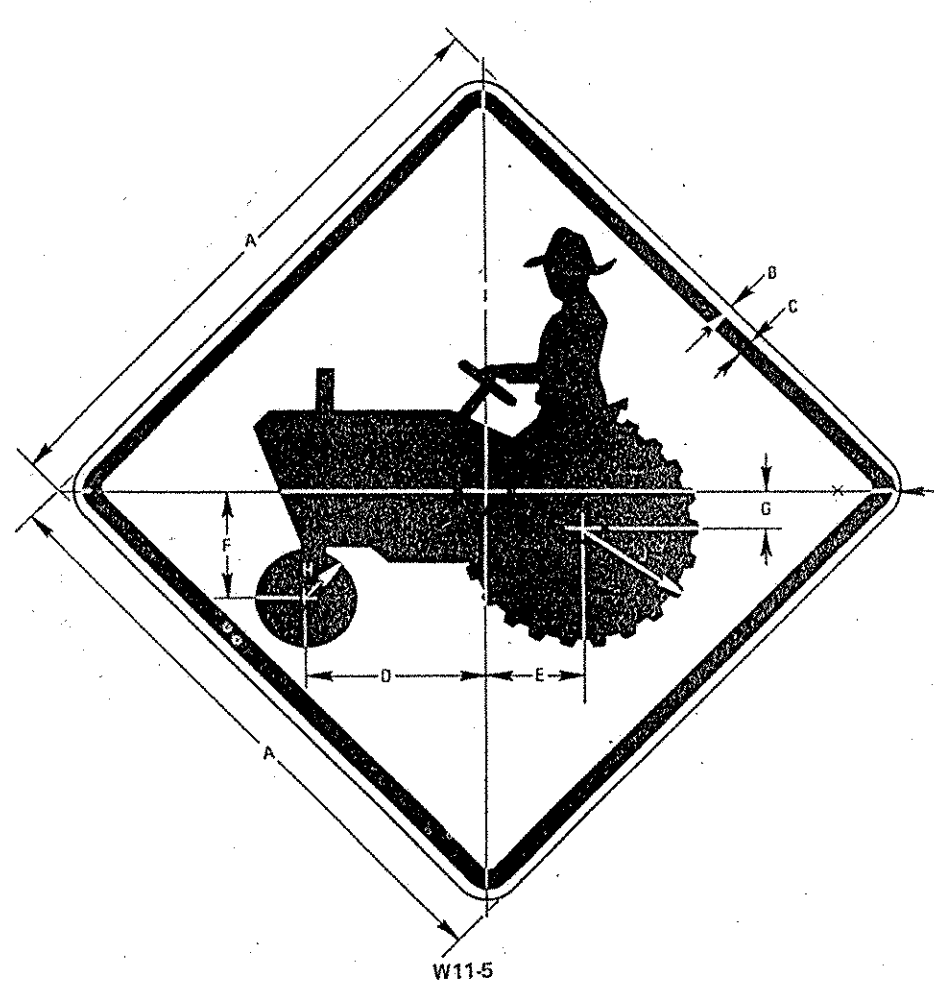
TRAFFIC SIGN SUMMARY SHEET

TRAFFIC SIGN SUMMARY SHEET

MILEMARKER, STATION, OR SIGN NUMBER	SIGN LEGEND	EXISTING SIGNS			NEW AND SALVAGED SIGNS				EXISTING POSTS				NEW SIGN POSTS											REMARKS	PLAN SHEET NUMBER	STD. SHEET NUMBER						
		SIGN DIMENSIONS	SALV. REM.	RET.	"A"	"B"	SALV. SIGN	SALV. T.I.S.	RET.	DRILL	REM.	SALV.	NUMBER OF POSTS	FLANGED CHANNEL LB./FT.			TUBULAR ALUMINUM				TUBULAR STEEL						W SHAPED STEEL		FTG. SIZE		SIGN FRAME	
														2.0	2.5	3.0	3.0"Ø	3.0"□	4.0"Ø	4.0"ØM.	3"Ø	3.5"Ø	4.0"Ø				5.0"Ø	POST SIZE	WEIGHT	24"		30"
TH #54 10+20 LT.		30"x 30"			6.3							1				X															E-143	
TH # 46 14+15 LT		30"x 30"			6.3							1				X														E-143		
TH # 46 17+00 RT		30"x 30"			6.3							1				X																
TH # 46 18+50 LT		36"x36"			9.0							1				X														E-150		
US -2 105+84 RT		48"x 24"			8.0							2				X											ENCAPSULATED LENS		E 152			
TH, #54 10+25 RT		24"x 30"			5.0							1				X														E141		
FINAL POST LENGTHS ARE TO BE DETERMINED IN THE FIELD. POST SIZES ARE COMPUTED BASED ON INFORMATION FURNISHED ON THE STANDARD SHEETS AND THE DESIGN DIVISION'S "SIGN POST DESIGN MANUAL".				EA.	SF.	SF.	EA.	SF.																								
TOTALS					40.9												322															

TRAFFIC ITEM SUMMARY					
ITEM NO.	ITEM	UNIT	QUANTITY	RNDG.	TOTAL
646.20	4" White Line	LF	14742	58	14800
646.21	4" Yellow Line	LF	15446	54	15500
646.40	Durable 4" White Line	LF	292	8	300
646.46	Durable 24" Stop Bar	LF	48	2	50
646.50	Durable Letter or Symbol	EA	30	-	30
646.61	Temporary 4" Yellow Line	LF	14466	34	14500
646.66	Temporary 24" Stop Bar	LF	17	3	20
646.70	Temporary Letter or Symbol	EA	13	-	13
675.20	Traffic Signs, Type A	SF	126.3	3.7	130
675.30	Flanged Channel Sign Posts	LB	976	24	1000
675.50	Removing Signs	EA	4	-	4

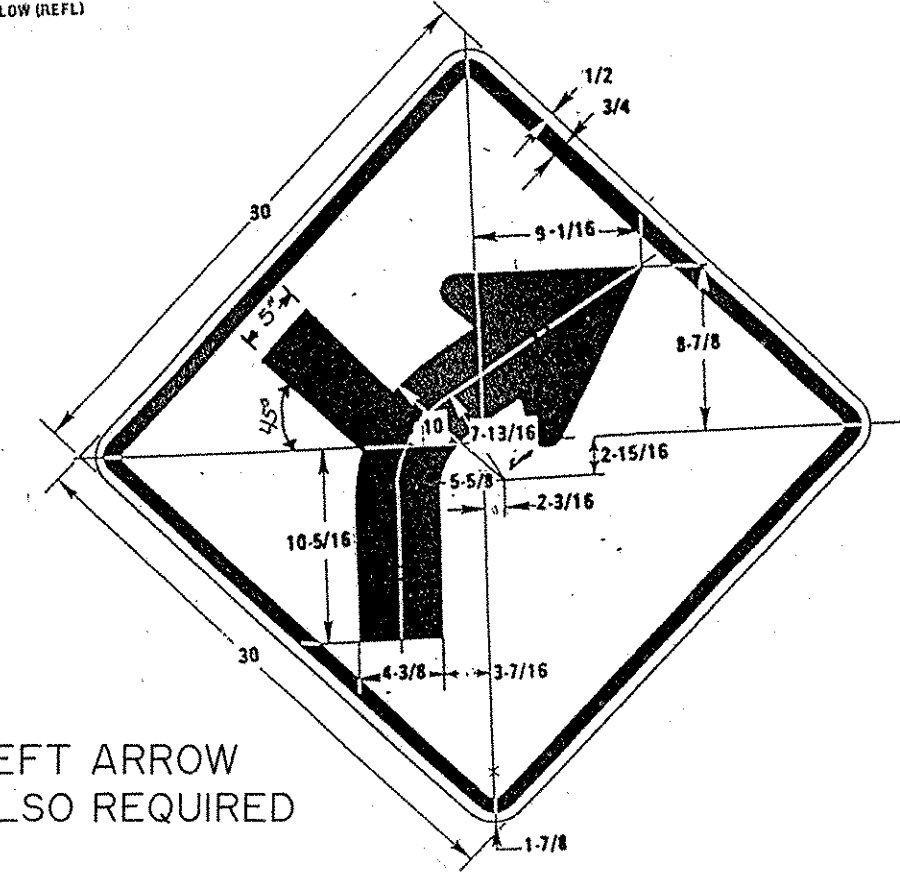
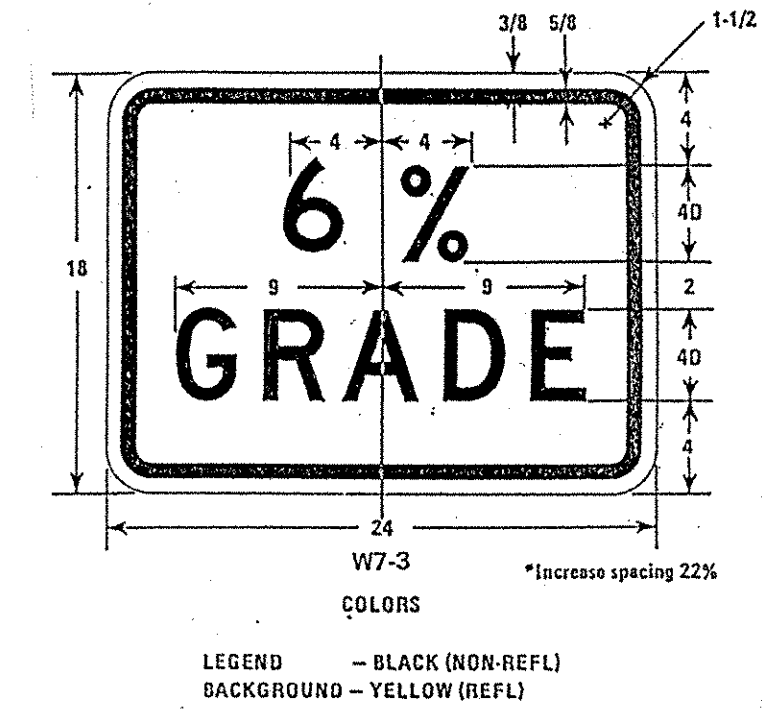
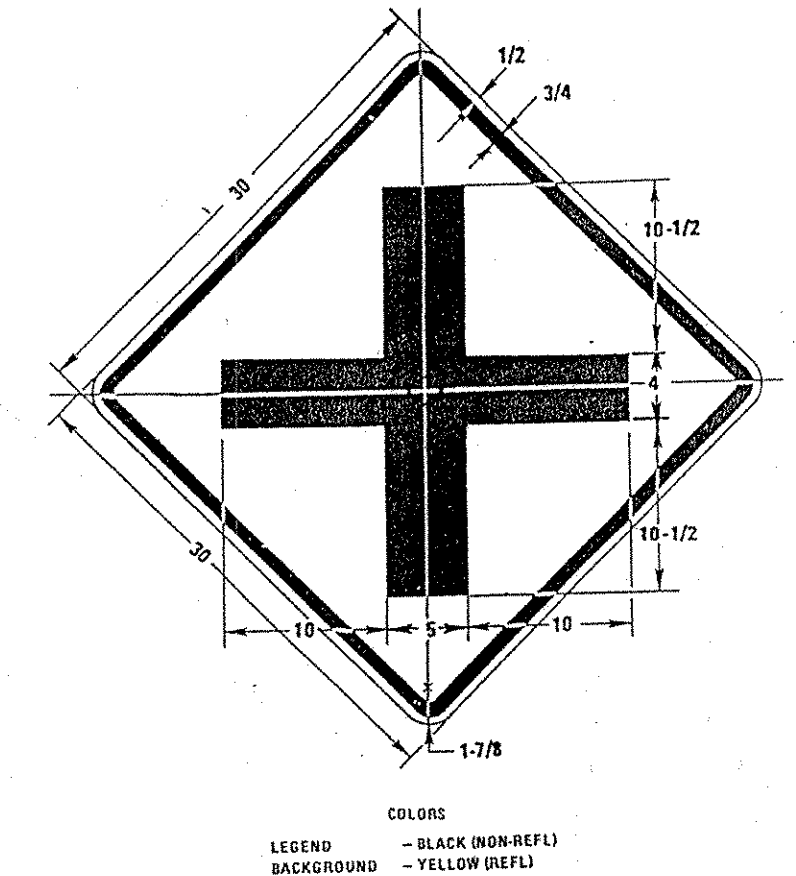
NOTES AND DETAILS:



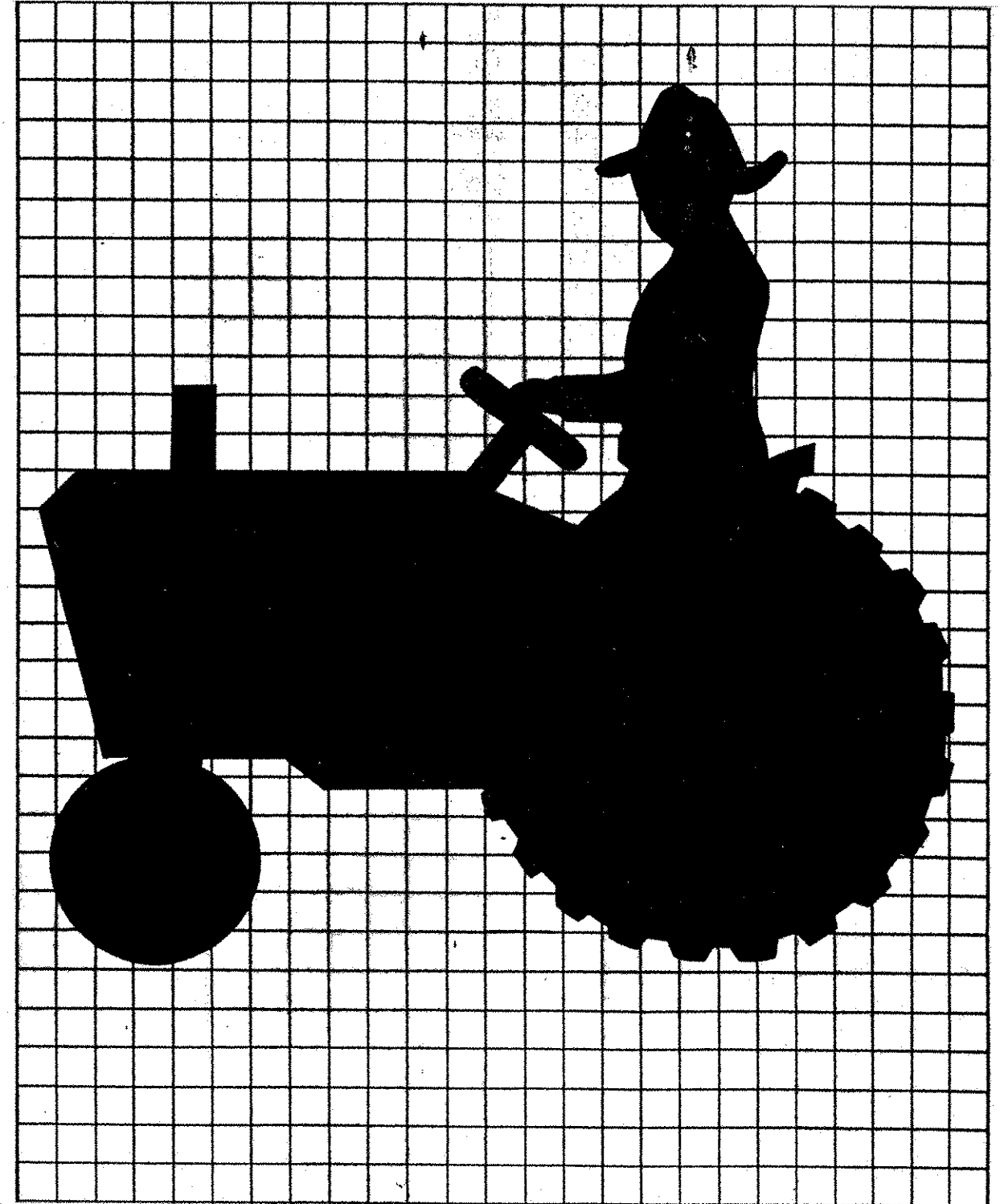
SIGN	DIMENSIONS (INCHES)										
	A	B	C	D	E	F	G	H	J	K	
MIN.	24	30	5/8	5/8	3/4	4/8	1/2	2	4-3/4	1-1/2	
STD.	30	1/2	3/4	3/4	3/4	5/8	1-1/2	1-3/8	2-1/2	5	1-7/8
EXPLY.	36	5/8	7/8	10-1/2	3-3/4	5-5/8	2-1/8	3	3-1/4	2-1/4	
SPECIAL	48	3/4	1-1/4	13-3/4	7-1/2	6-3/4	2-3/4	4	4-1/2	3	

LEGEND -BLACK (NON-REFL)
BACKGROUND - YELLOW (REFL)

FOR MATERIALS SEE STD. E-152.



LEFT ARROW ALSO REQUIRED



TRAFFIC SIGN SUMMARY SHEET

PREPARED BY _____ DATE _____
 CHECKED BY _____ DATE _____
 DESIGN SUPERVISOR _____ DATE _____
 PROJ. EAST MONTPELIER
 RSEGC RS0246(I)
 TRAFFIC SHEET NO. 2 OF 2
 SHEET 33 OF 128 SHEETS