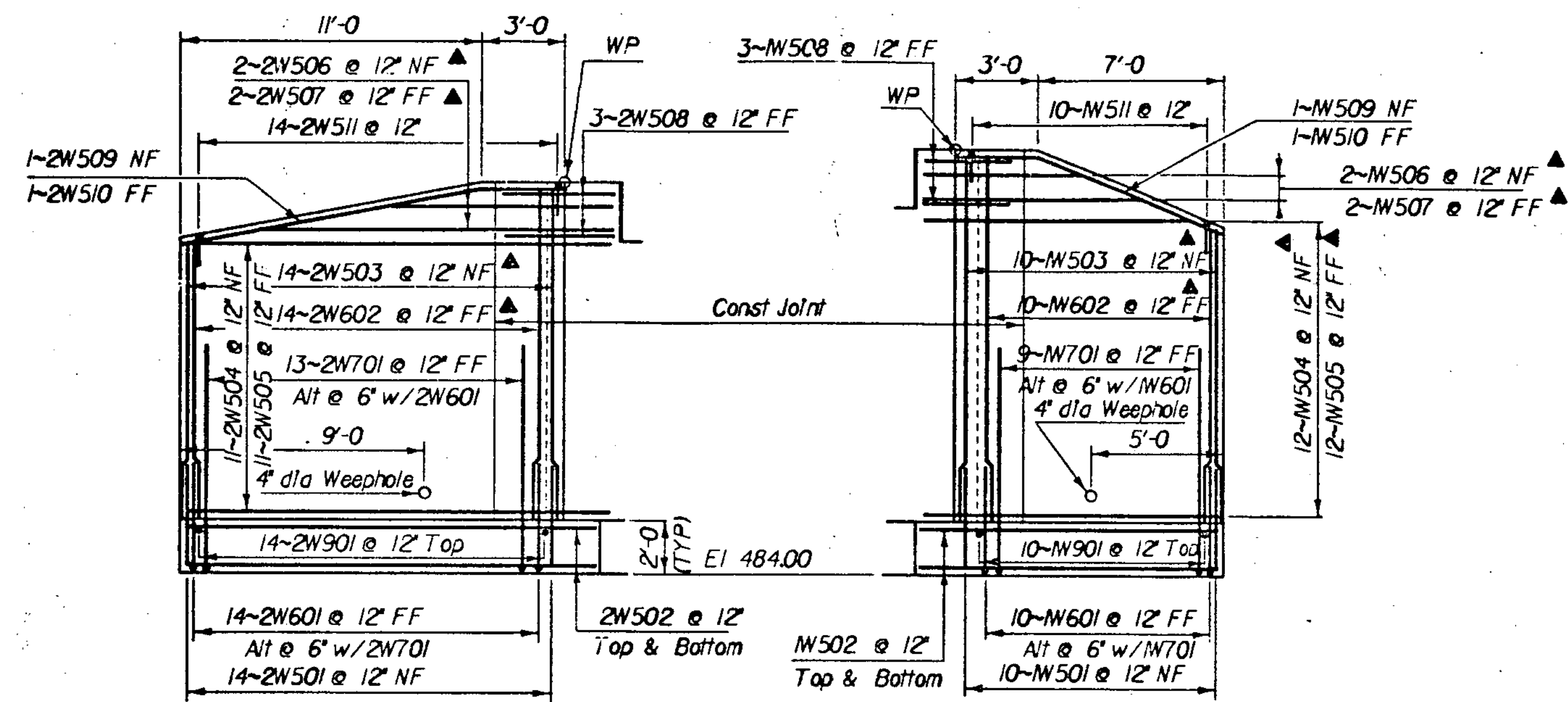


FOOTING REINFORCING PLAN

Scale 1/4" = 1'-0"

▲ Indicates Cut to Fit In Field

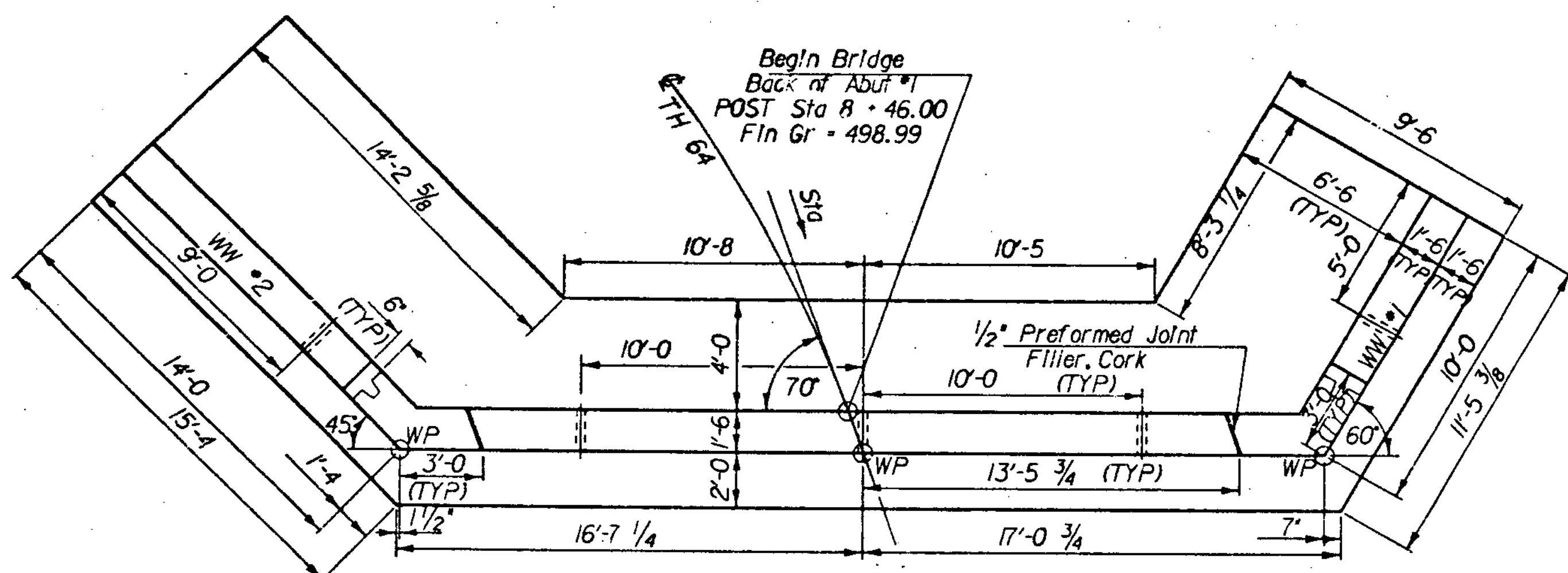


WW * 2 ELEVATION

Scale 1/4" = 1'-0"

WW * 1 ELEVATION

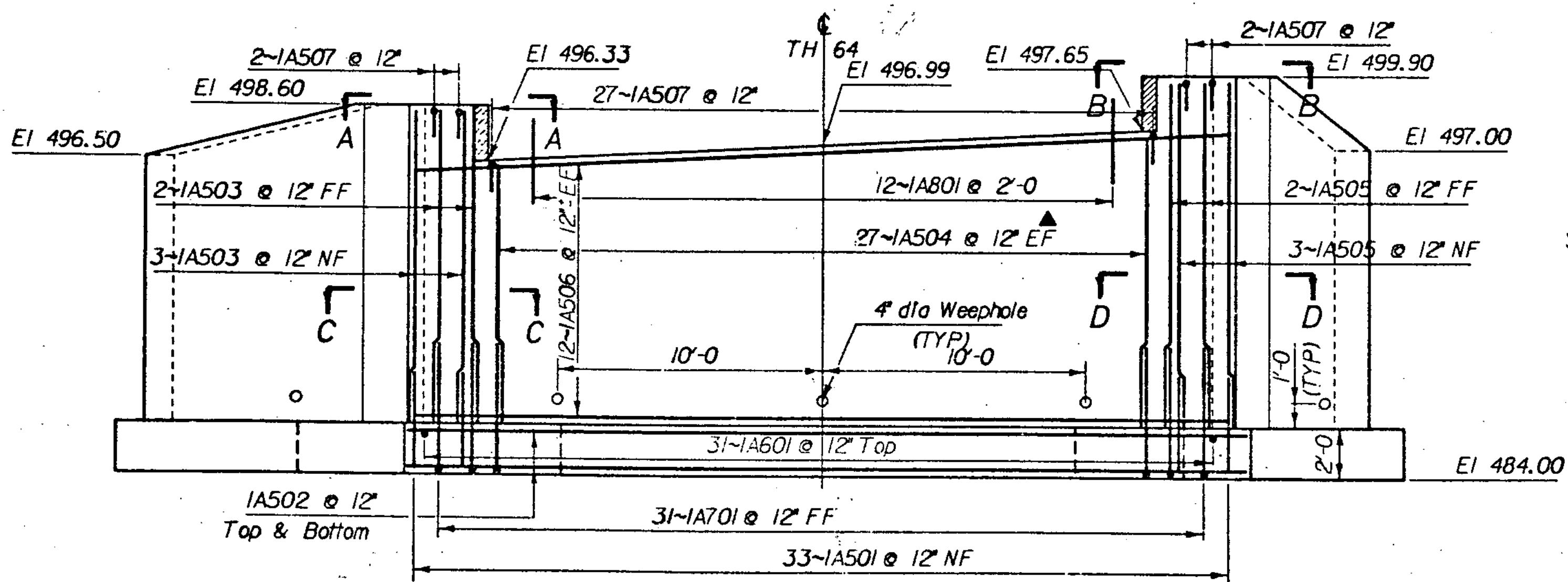
Scale 1/4" = 1'-0"



PLAN

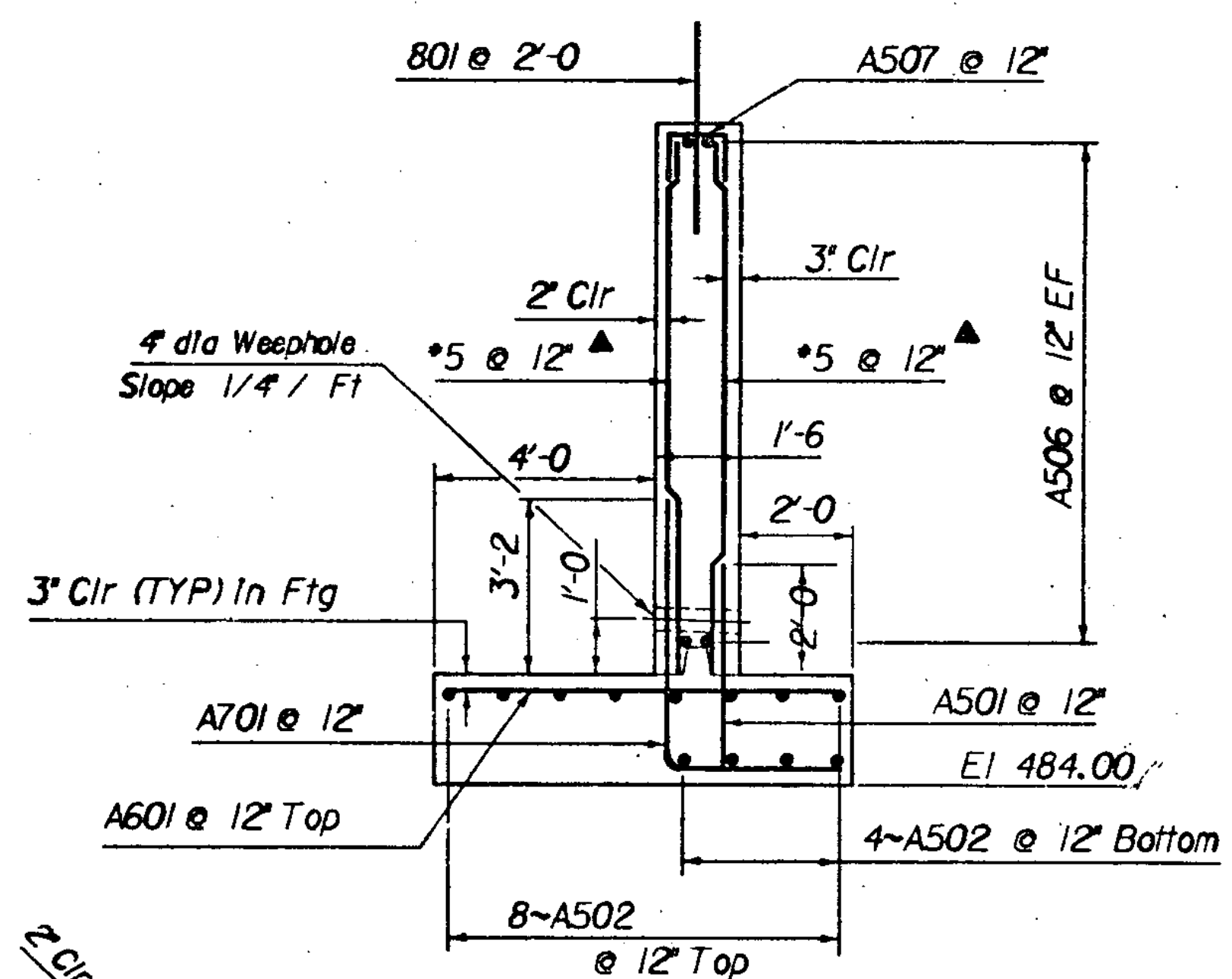
Scale 1/4" = 1'-0"

Flow



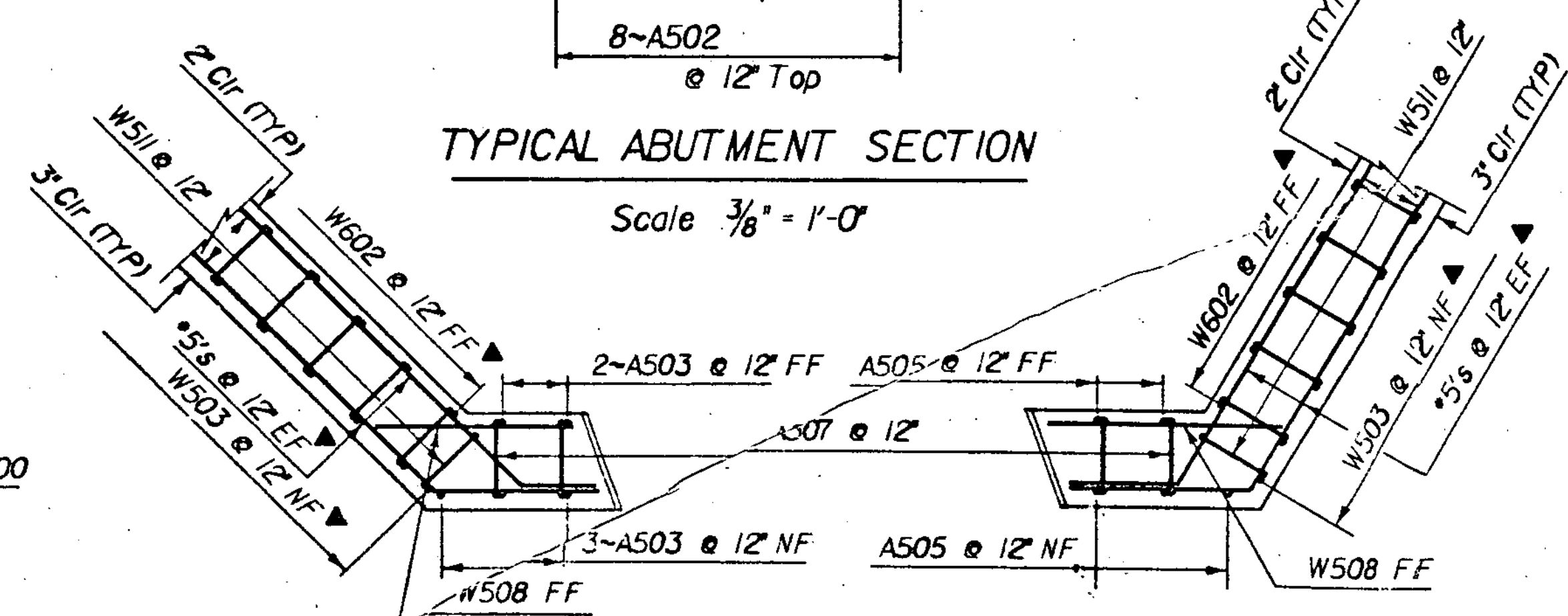
ABUTMENT * 1 ELEVATION

Scale 1/4" = 1'-0"



TYPICAL ABUTMENT SECTION

Scale 3/8" = 1'-0"



SECTION A-A

Scale 1/2" = 1'-0"

SECTION B-B

Scale 1/2" = 1'-0"

SECTION C-C, D-D & THE TYPICAL WINGWALL SECTION IS ON SHEET 7 OF 23.

STATE OF VERMONT AGENCY OF TRANSPORTATION	
Town of MORRISTOWN	Bridge No. 35
Highway No. TH *64	Log Sta. 8 + 60.50
TH *64 over Sterling Brook	
ABUTMENT No 1 DETAILS	
Designed By C.P. Williams	Drawn By E. Borgett
Checked By G. ROGERS Date 9/84	Bridge Design Supervisor F.W. Bolkom Date 9/84
PROJECT MORRISTOWN	PROJECT NO. FTH 3531
L.C. Info. OS44130.23JFH3531AB.DGN	
Bridge Sheet No.	Sheet 6 of 23

BR-6