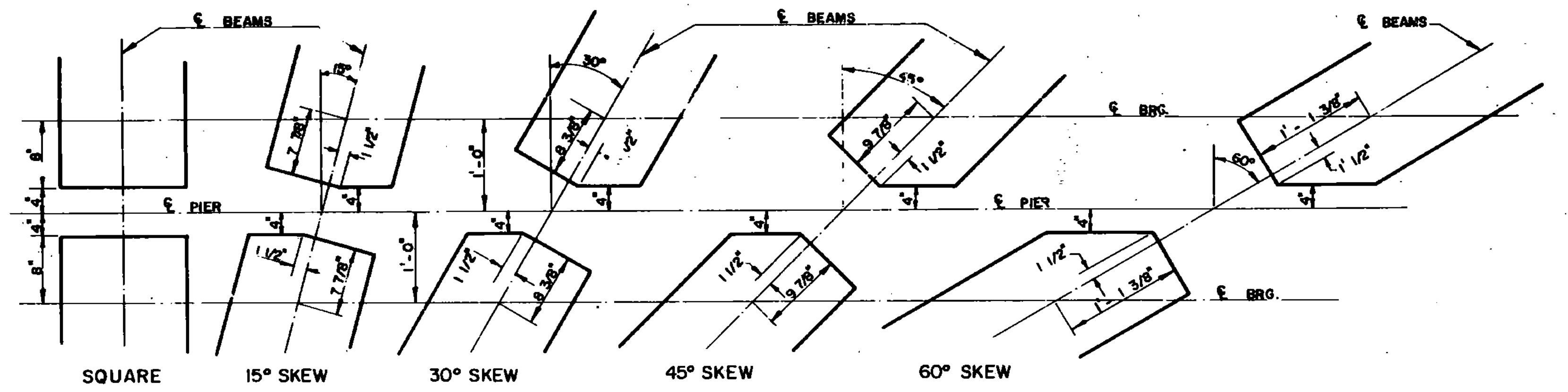


SKEW	X	Y
20°	1"	1/2"
25°	1 1/2"	3/4"
30°	1 3/4"	1 1/4"
35°	2"	1 1/2"
40°	2 1/2"	1 3/4"
45°	3"	2 1/4"
50°	3 1/2"	2 3/4"
55°	4 1/4"	3 1/2"
60°	5 1/4"	4 1/4"

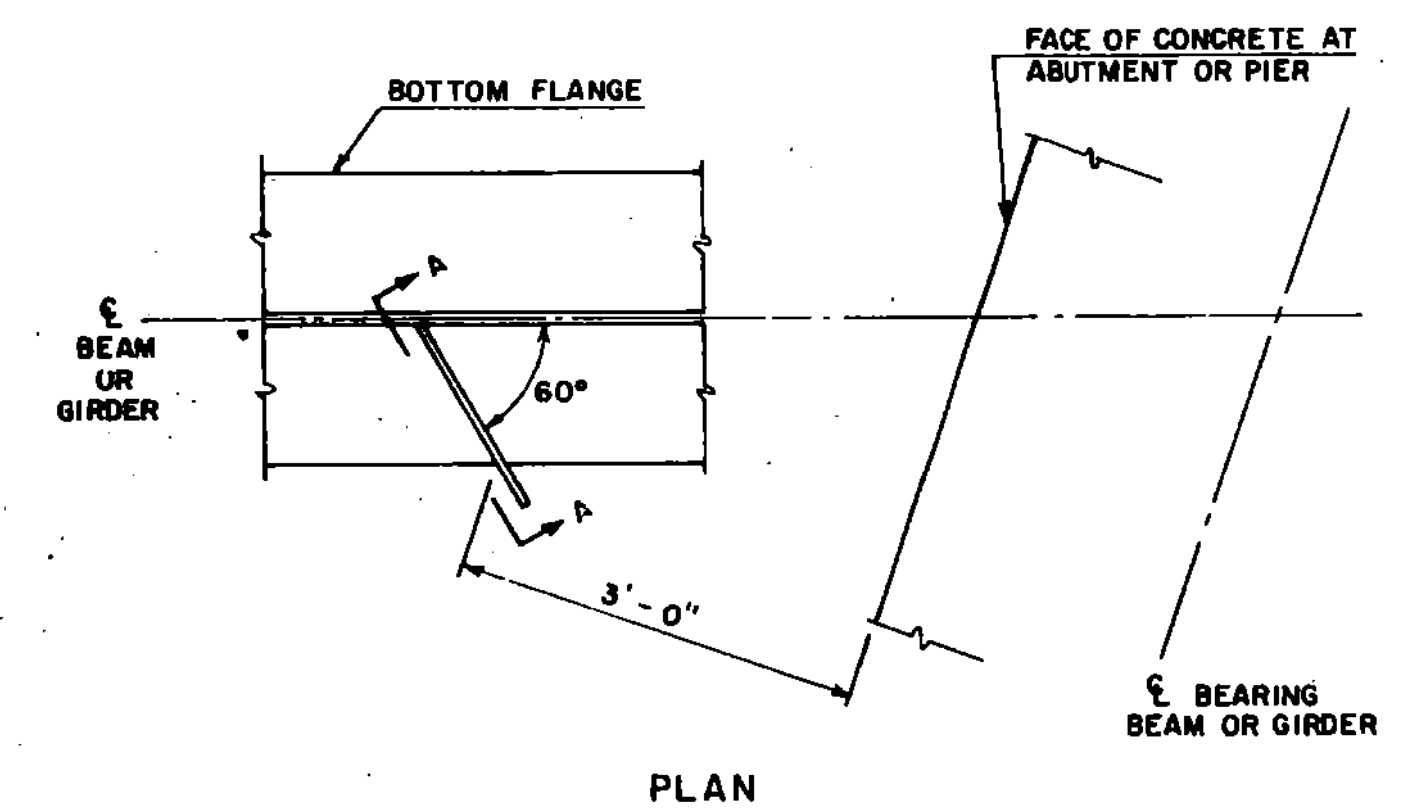
DETAILS OF PIER DIAPHRAGM CONNECTIONS

(A)

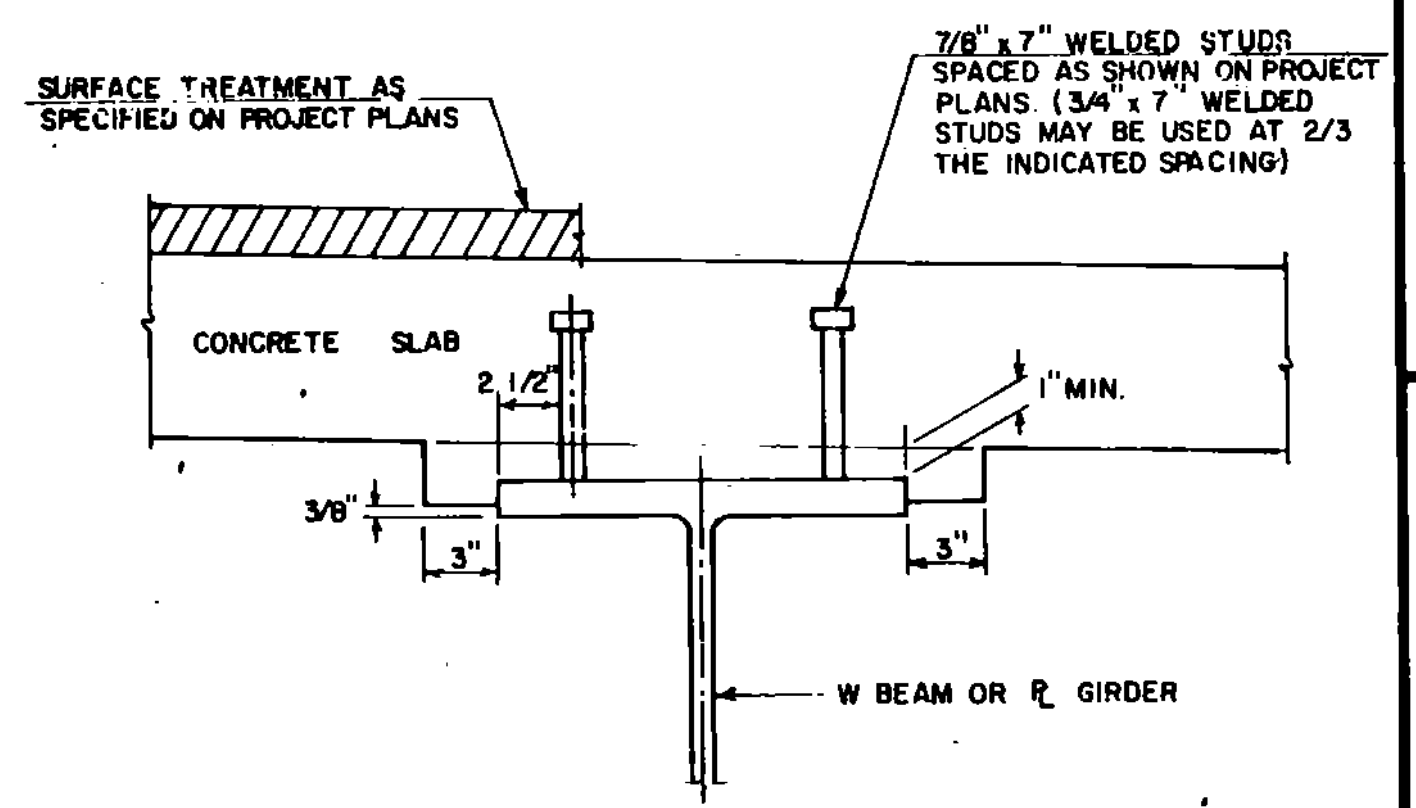


INTERIOR W BEAM CUT-OFFS AT PIER

(B)

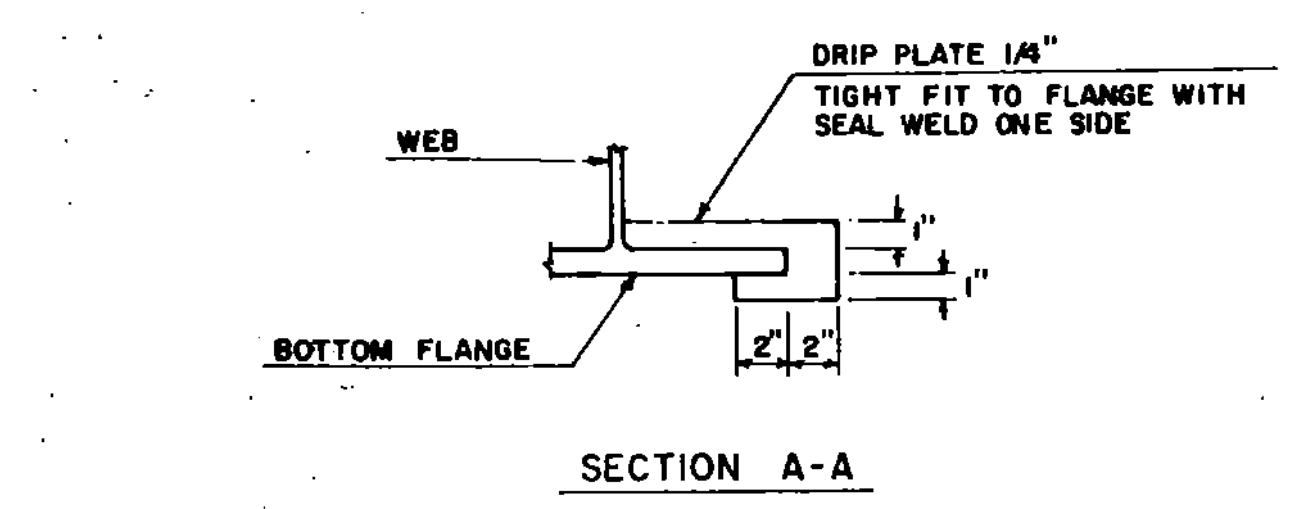


PLAN



BEAM HAUNCH AND SHEAR CONNECTOR DETAILS

(F)

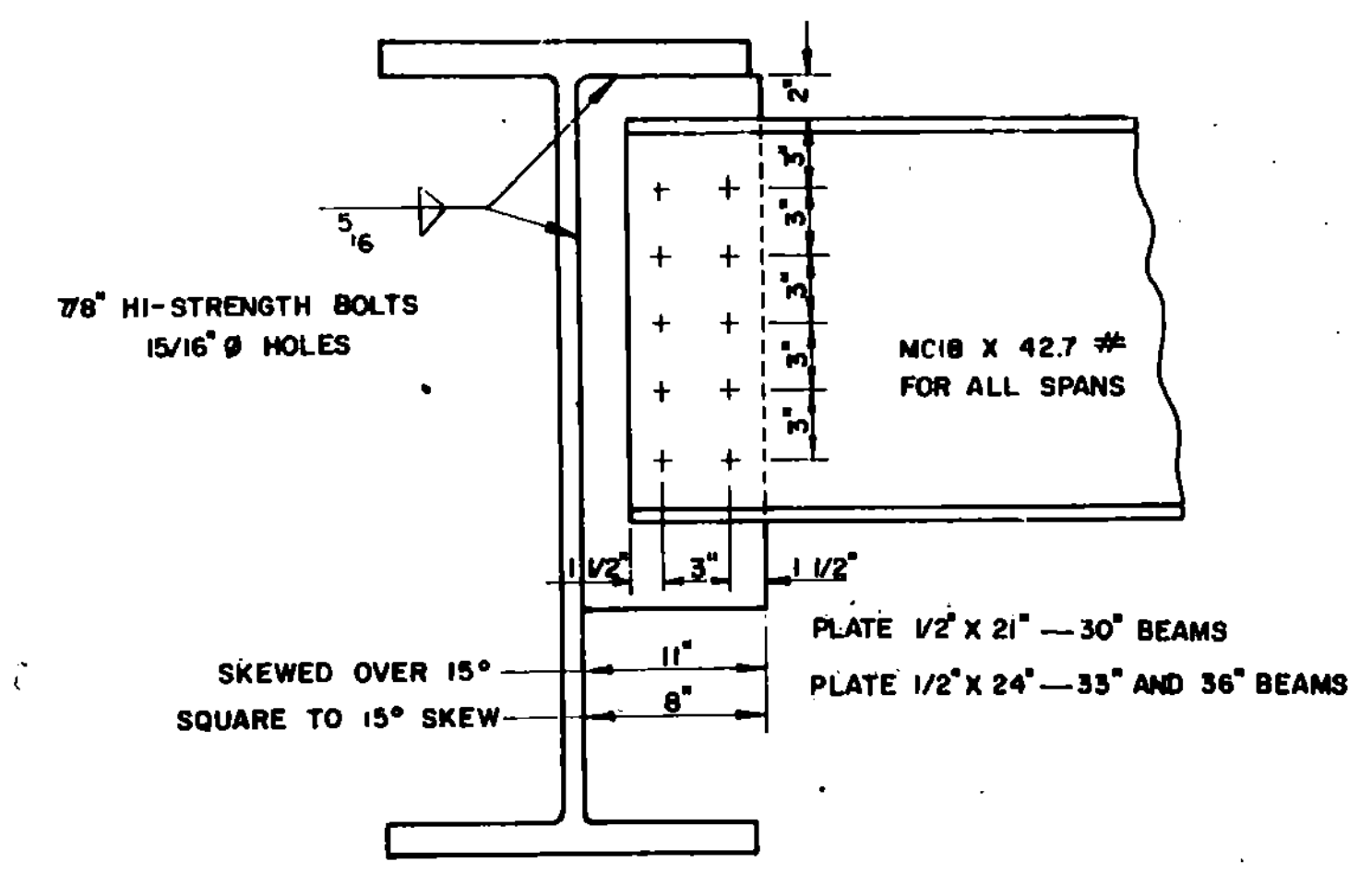


SECTION A-A

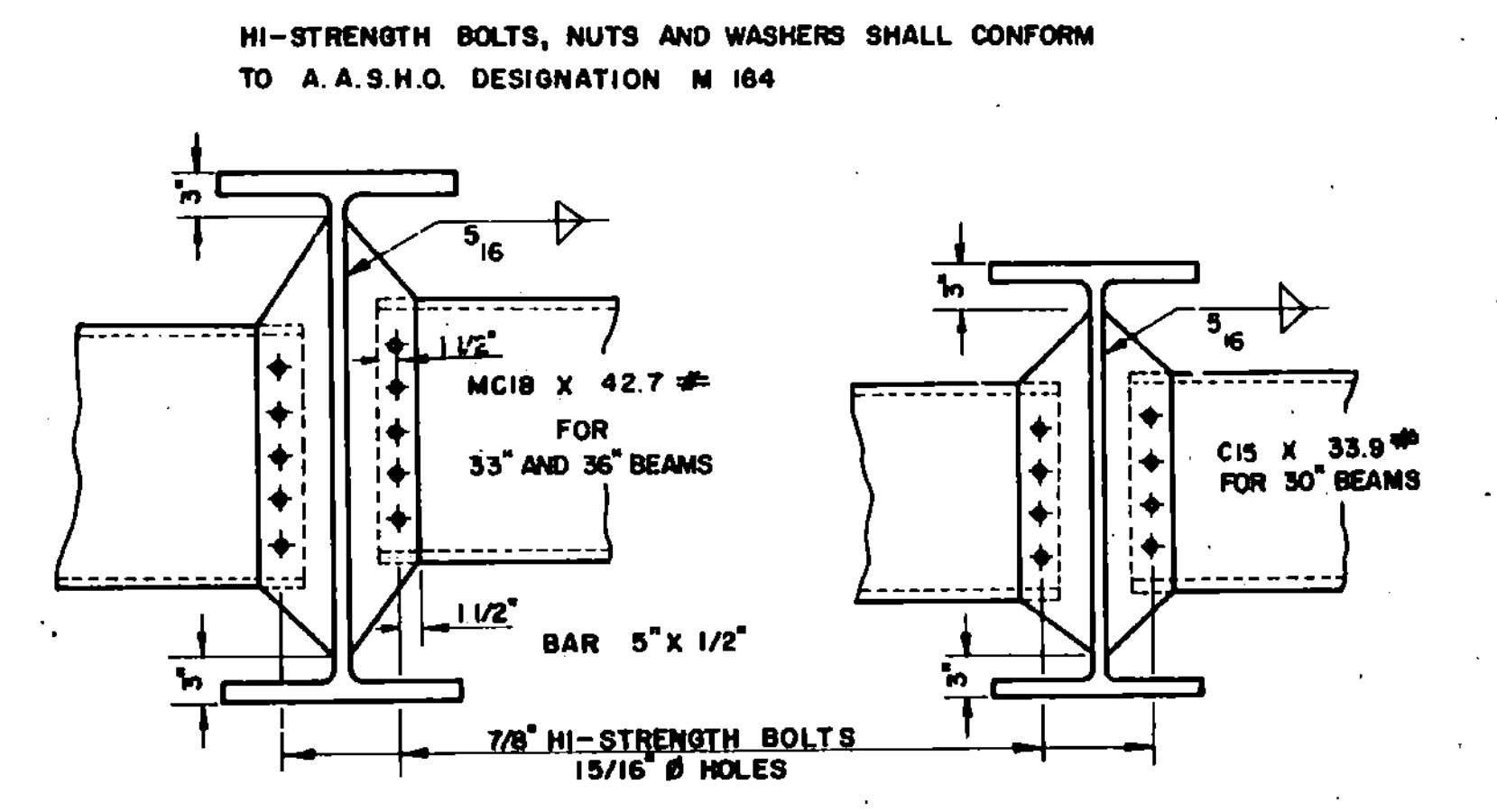
NOTE: DRIP PLATES SHALL BE PLACED ON OUTSIDE EDGE OF FASCIA GIRDERS ON THE HIGH SIDE OF ALL PIERS AND ABUTMENTS OR AS INDICATED ON PROJECT PLANS.

DRIP PLATE DETAILS

(C)

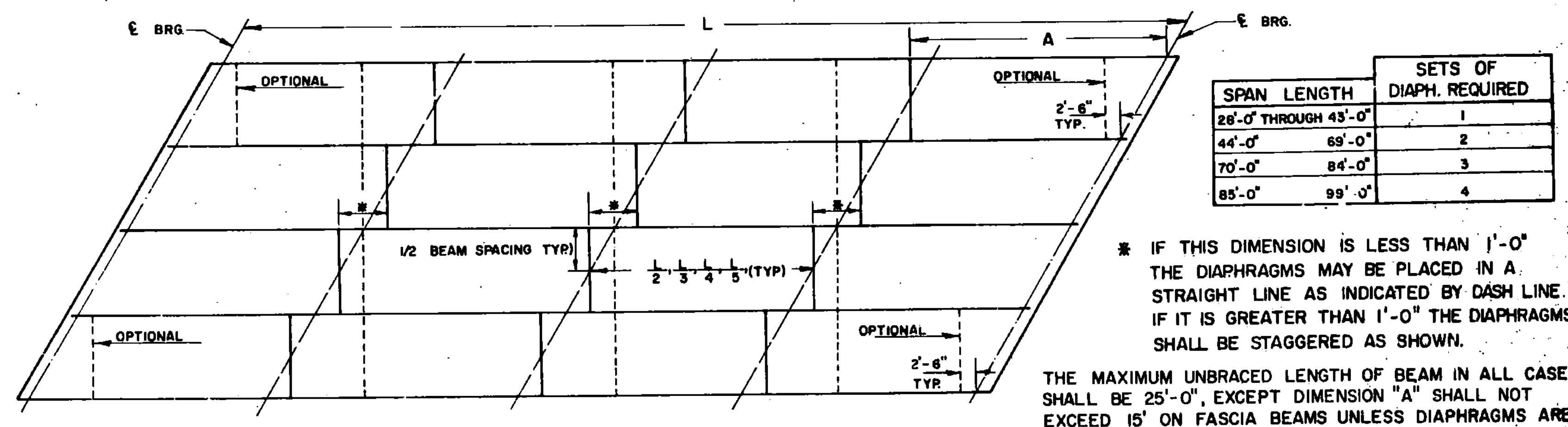


PIER DIAPHRAGMS



INTERMEDIATE DIAPHRAGMS

(D)



DIAPHRAGM LOCATION PLAN

(E)

REVISIONS AND CORRECTIONS

1. REMOVED DETAIL "C". J. WOOD 1-22-73
2. NOTE CONCERNING DIMENSION "A" ADDED TO DETAIL "E". J. WOOD 1-22-73
3. ADDED DETAILS "C" AND "F". W. TRIPP 12-15-76

APPROVED: DATE: 12/14/71

R.M. Connel
 CHIEF ENGINEER
E.H. Stickney
 ASST. CHIEF ENGINEER
AmBrynn
 BRIDGE ENGINEER

DETAILS OF W BEAM BRIDGES
 STRUCTURAL STEEL DETAILS

- (A)(D)(E) DIAPHRAGM DETAILS
- (B) WF BEAM CUT-OFFS
- (C) DRIP PLATE DETAILS
- (F) BEAM HAUNCH & SHEAR CONNECTOR DETAILS

VERMONT
 DEPARTMENT OF HIGHWAYS
 STRUCTURE STANDARDS

SCB-D7-71