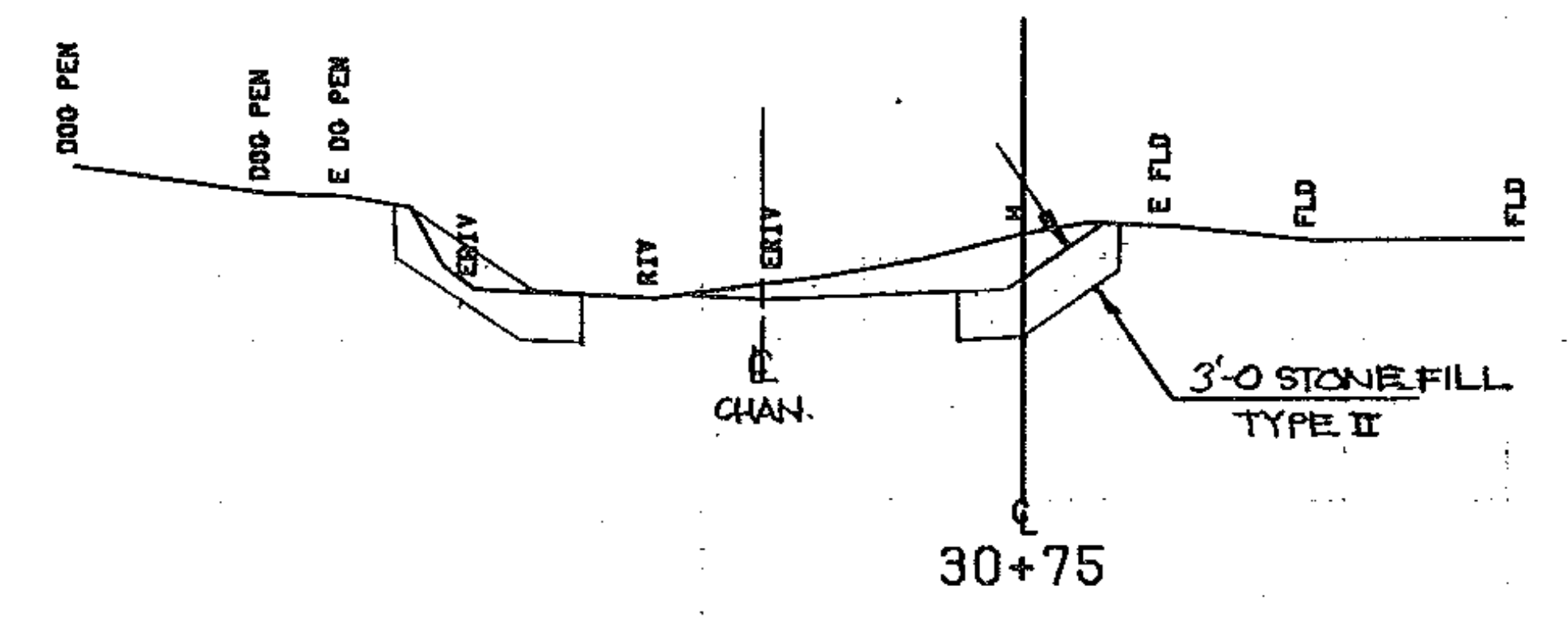


STA 31+00 LT. END UNCLASSIFIED CHANNEL EXCAVATION.  
 STA 31+00 LT. END STONE FILL, TYPE II.

STA 31+00 RT. END UNCLASSIFIED CHANNEL EXCAVATION  
 STA 31+00 RT. END STONE FILL, TYPE II.

490



490

FROM STA. 30+75	TO STA. 31+00
PROJECT NAME CONCORD CHAN.	PLOTTED 11/15/82
NO. BR21447(10)	JANUARY 1982
SURVEYED BY BAROENT	
SHEET 28 OF 29 SHEETS	

SCALE 1" = 10 FEET