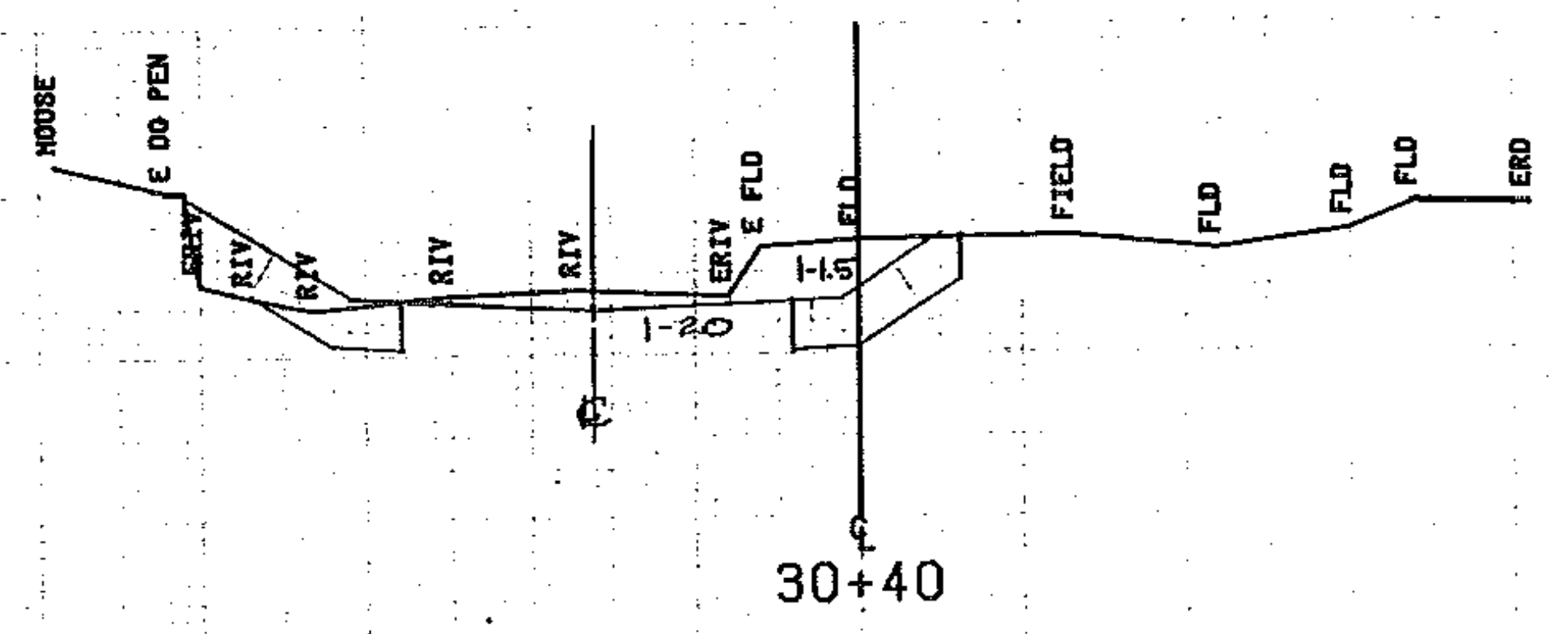
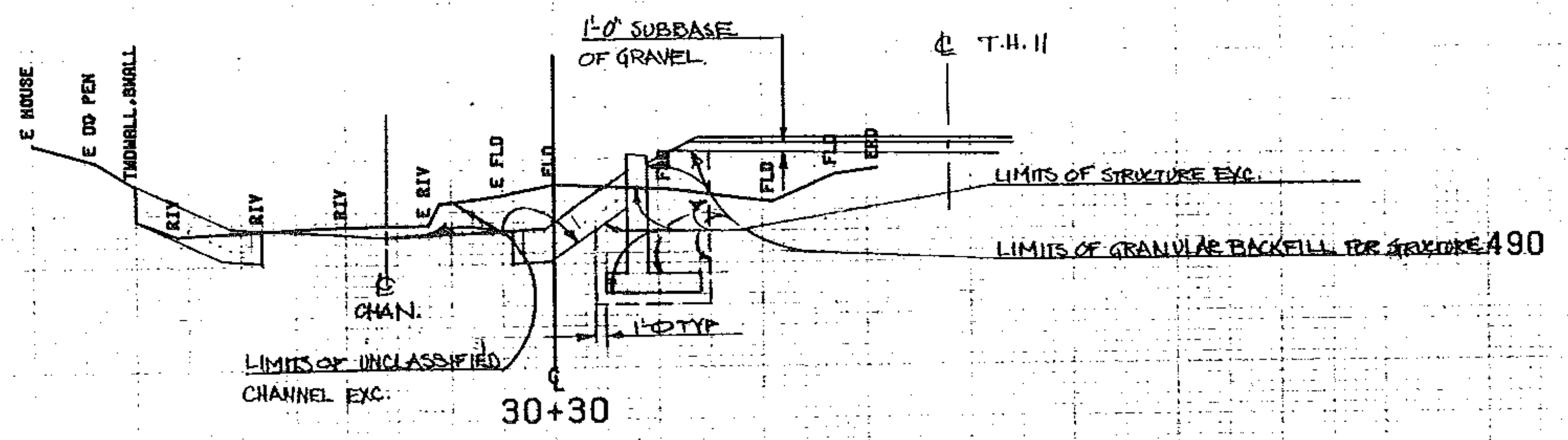


490



490

CHAN STA. 30+36 RT. END STRUCTURE EXC.  
 CHAN. STA. 30+32 RT. END GRANULAR BACKFILL FOR STRUCTURE



FROM STA.	30+30	TO STA.	30+50
PROJECT NAME	CONCORD CHAN.		
NO.	BRZ1447(10)	PLOTTED	11/16/02
SURVEYED BY	BRDENT	JANUARY	1992
SHEET	22	OF 22	SHEETS

SCALE 1" = 10 FEET