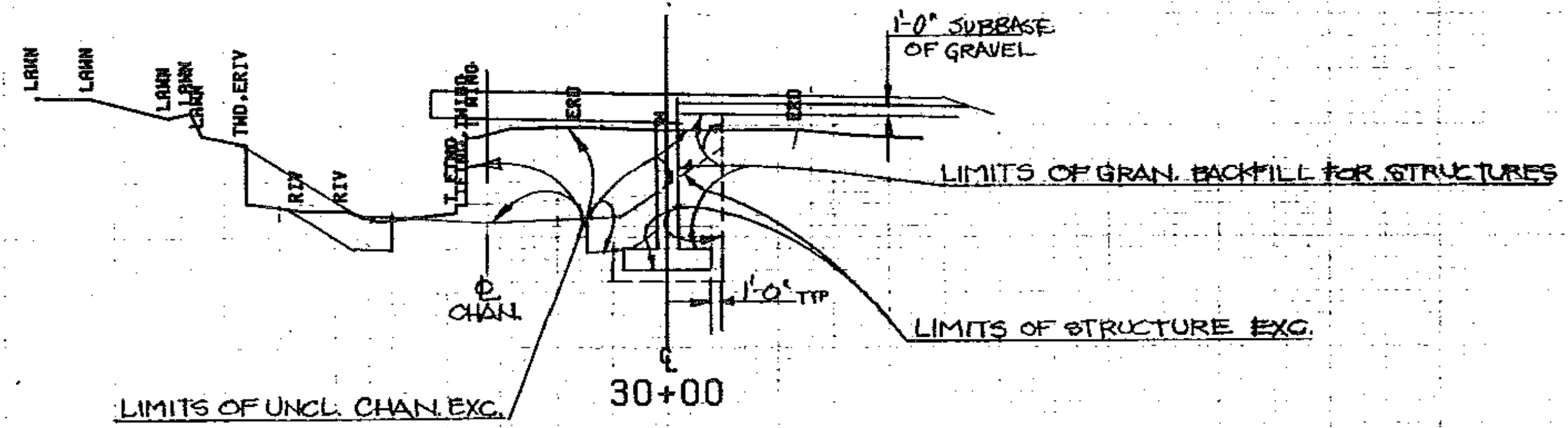
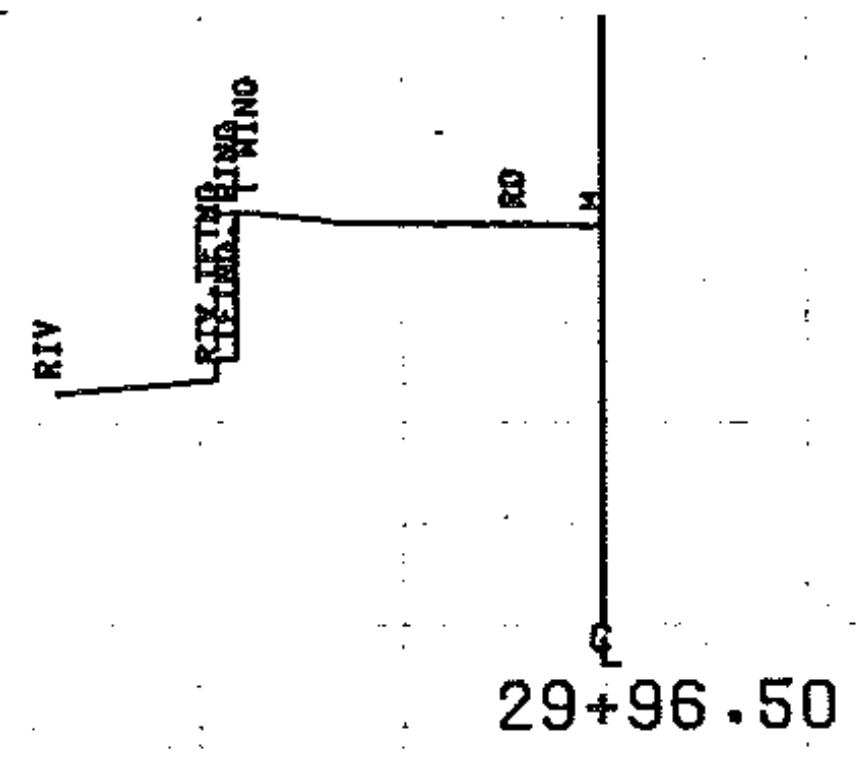


490



490

CHAN. STA. 30+00 LT. END STRUCTURE EXC.
 CHAN. STA. 29+95 LT. END GRANULAR BACKFILL FOR STRUCTURE.



490

| | |
|----------------------------|------------------|
| FROM STA. 29+96.50 | TO STA. 30+3 |
| PROJECT NAME CONCORD CHAN. | |
| NO. BR21447(10) | PLOTTED 11/18/82 |
| SURVEYED BY BAROENT | JANUARY 1982 |
| SHEET 26 OF 22 SHEETS | |

SCALE 1" = 10 FEET