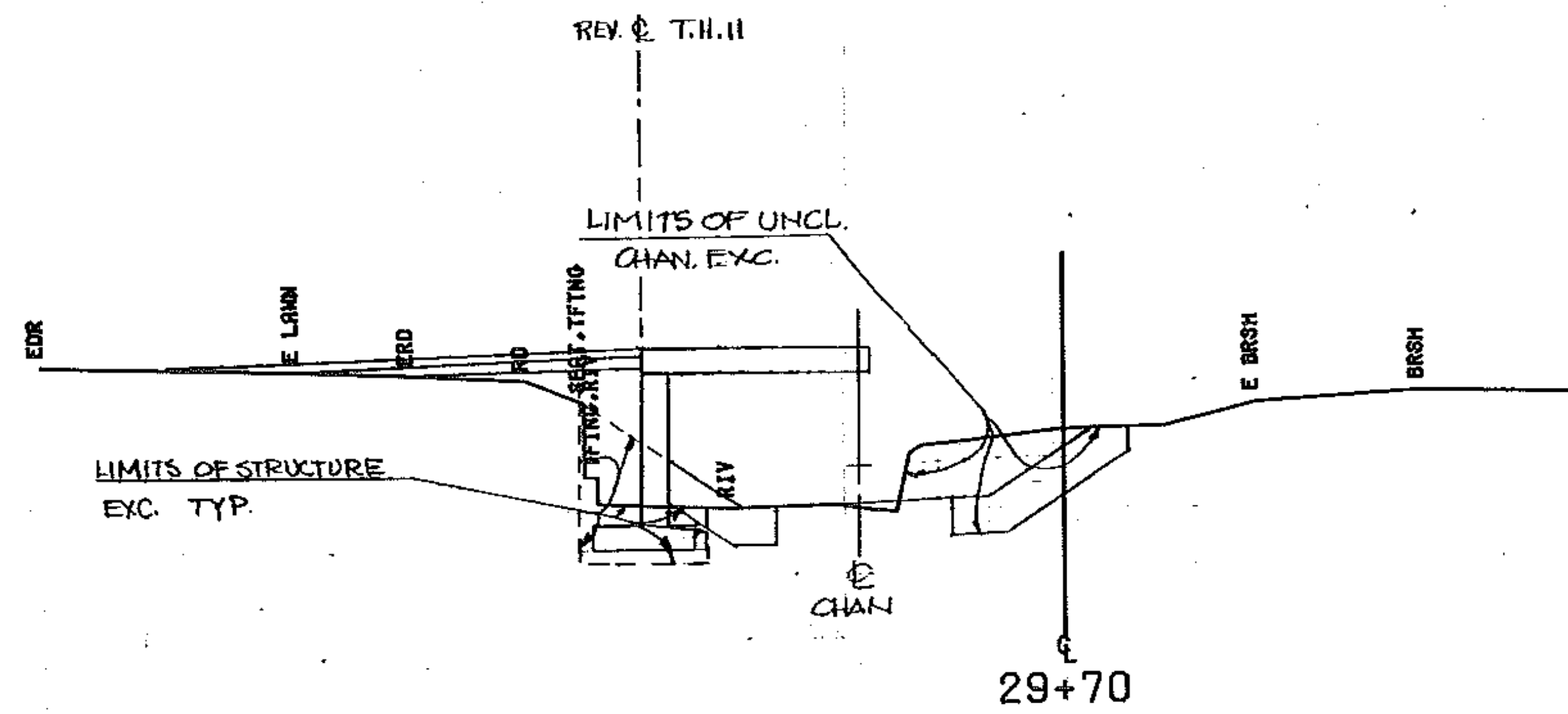
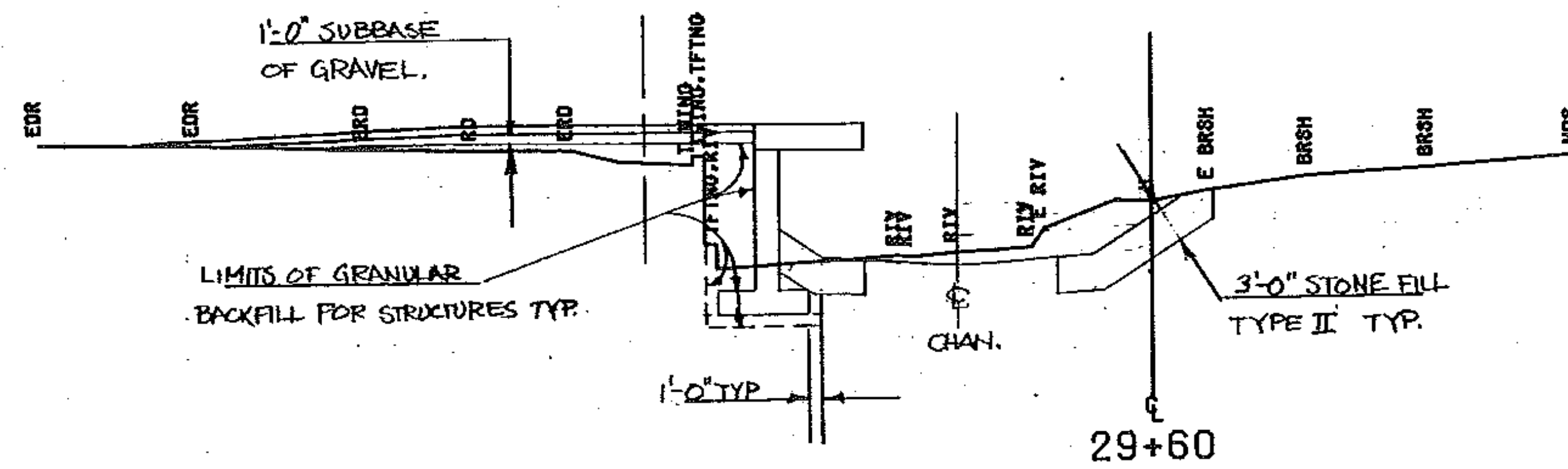


490



490

CHAN. STA. 29179 RT. BEGIN GRANULAR BACKFILL FOR STRUCTURE.
CHAN. STA. 29174 RT. BEGIN STRUCTURE EXC.



490