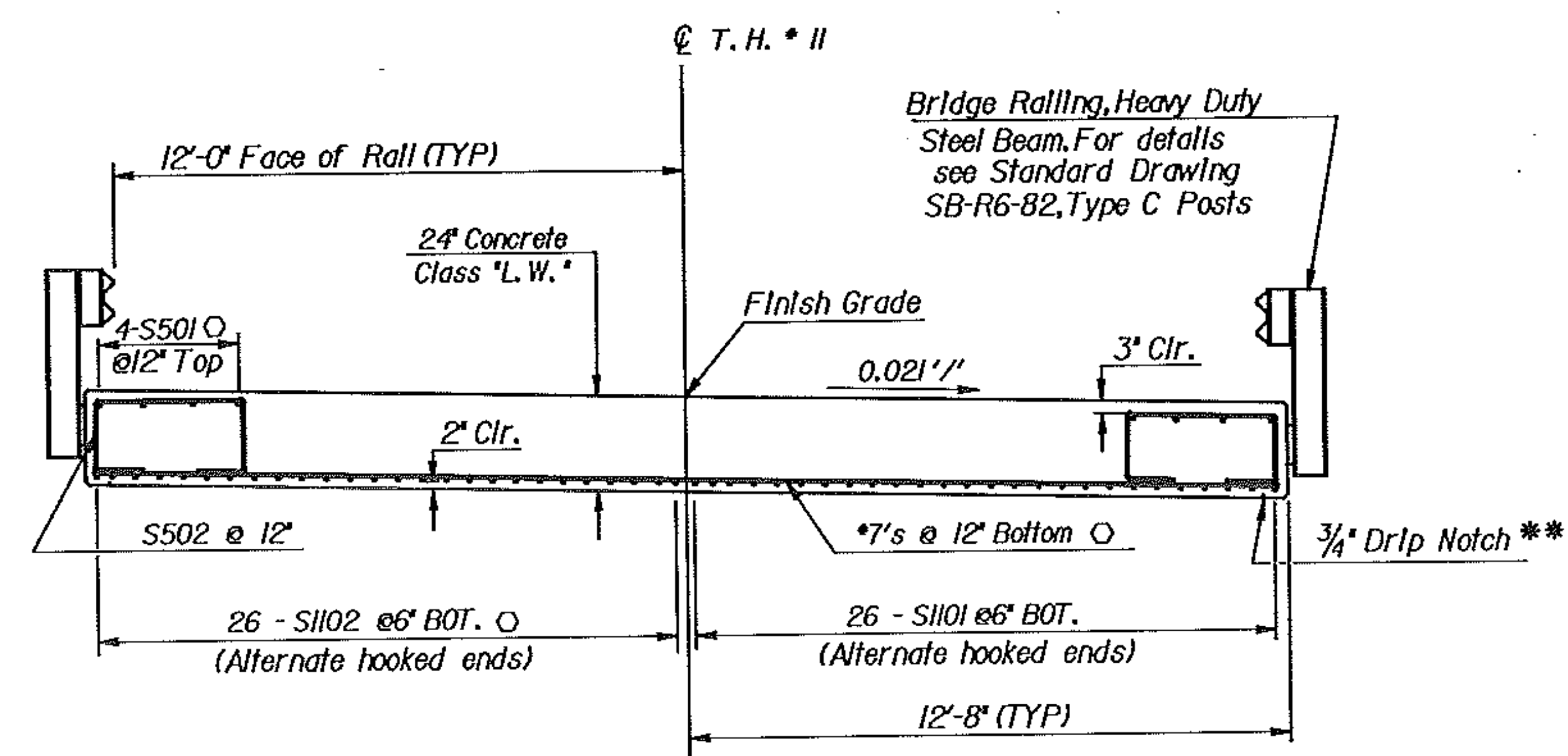


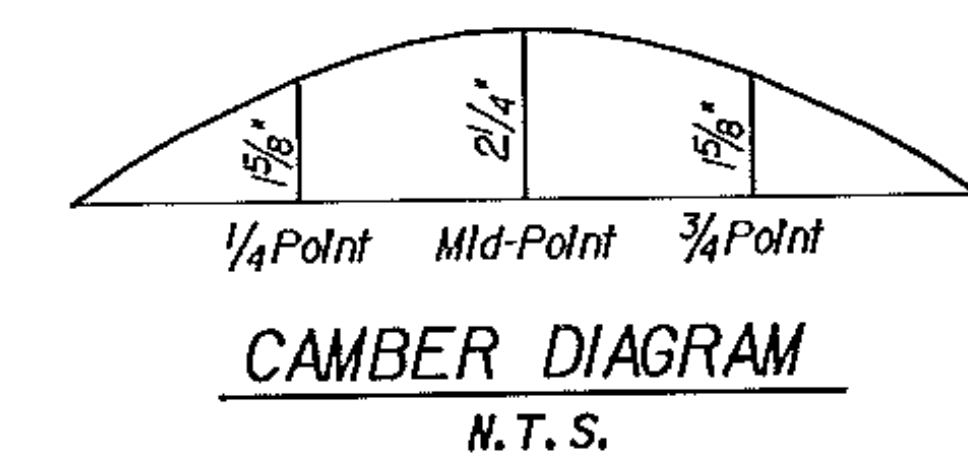
PLAN
Scale 1/4" = 1'-0"

○ - Indicates Cut To Fit in Field.
⊕ - Spacing Measured Along Major Chord.



TYPICAL SECTION
Scale 3/8" = 1'-0"

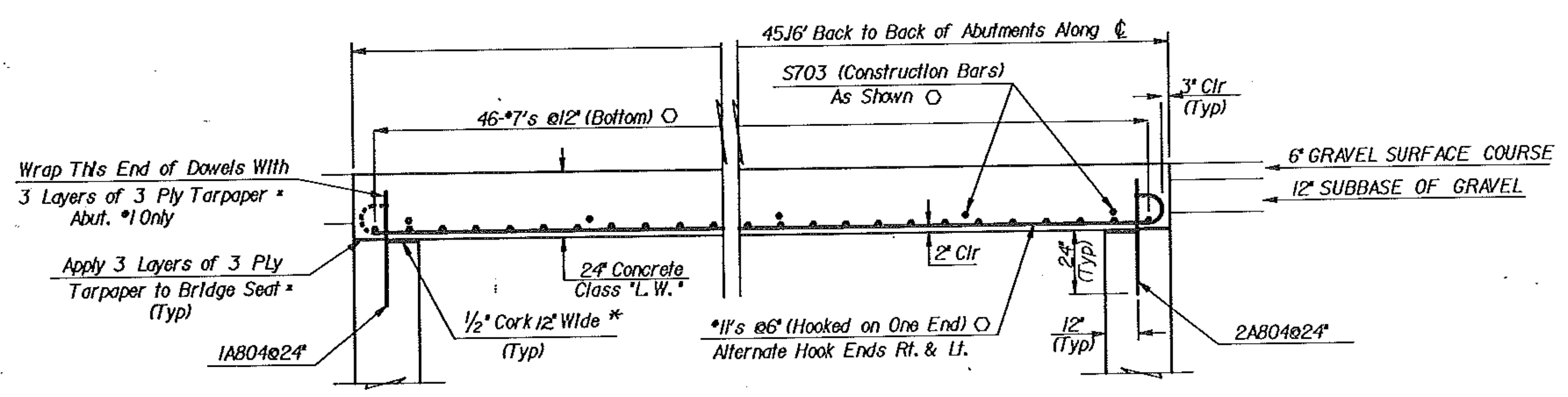
**Outlet Drip Notches
3' from Face of
Abutments



CAMBER DIAGRAM
N.T.S.

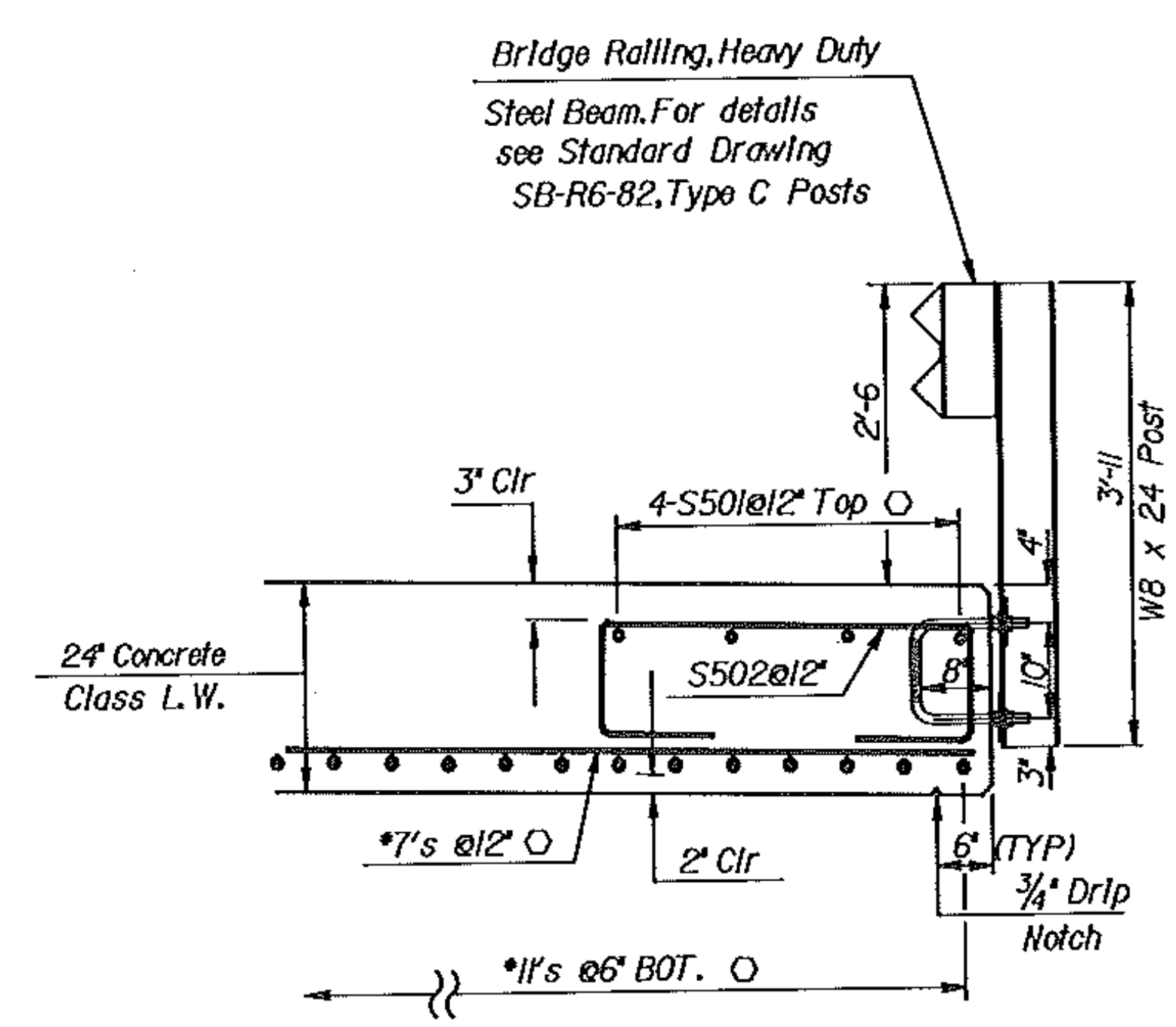
NOTES

1. THE CONCRETE DECK SHALL BE BROOM FINISHED.
2. ALL LONGITUDINAL REINFORCING STEEL SHALL BE PLACED AS NEAR AS PRACTICAL TO MATCH THE CURVE.
3. THE DECK SHALL BE FORMED TO MEET THE VERTICAL CURVE PLUS THE CAMBER.



ELEVATION @ C/L
Scale 3/8" = 1'-0"

* Payment Shall Be Included In The
Unit Price For Concrete, Class B.



FASCIA & RAILING DETAIL
Scale 3/4" = 1'-0"

STATE OF VERMONT AGENCY OF TRANSPORTATION	
Town Of CONCORD	Bridge No. 20
Highway No. T. H. II	Log Sta.
	Surv. Sta.
SLAB DETAILS	
T. H. II OVER MILES STREAM	
Designed By M. J. POLOGRUTO	Drawn By D. C. WILLEY
Checked By G. V. SPILAK	Bridge Design Supervisor R. S. HAUPT
Date 4-85	Date 3-85
PROJECT CONCORD	PROJECT NO. BRZ 1447 (10)
I.G.C. Info. QSN430,2536304285LBDGN	
Bridge Sheet No.	Sheet 9 of 29