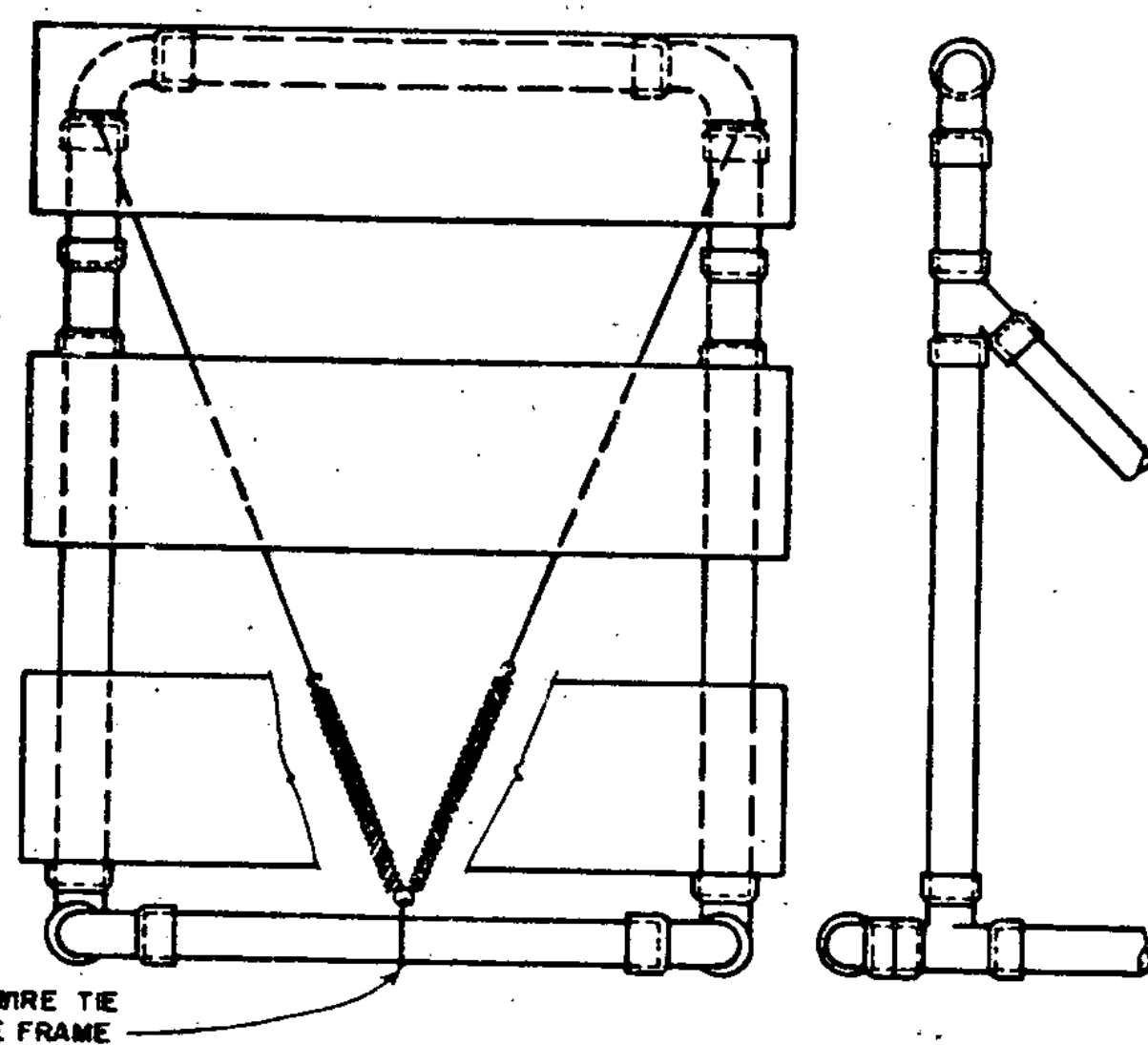
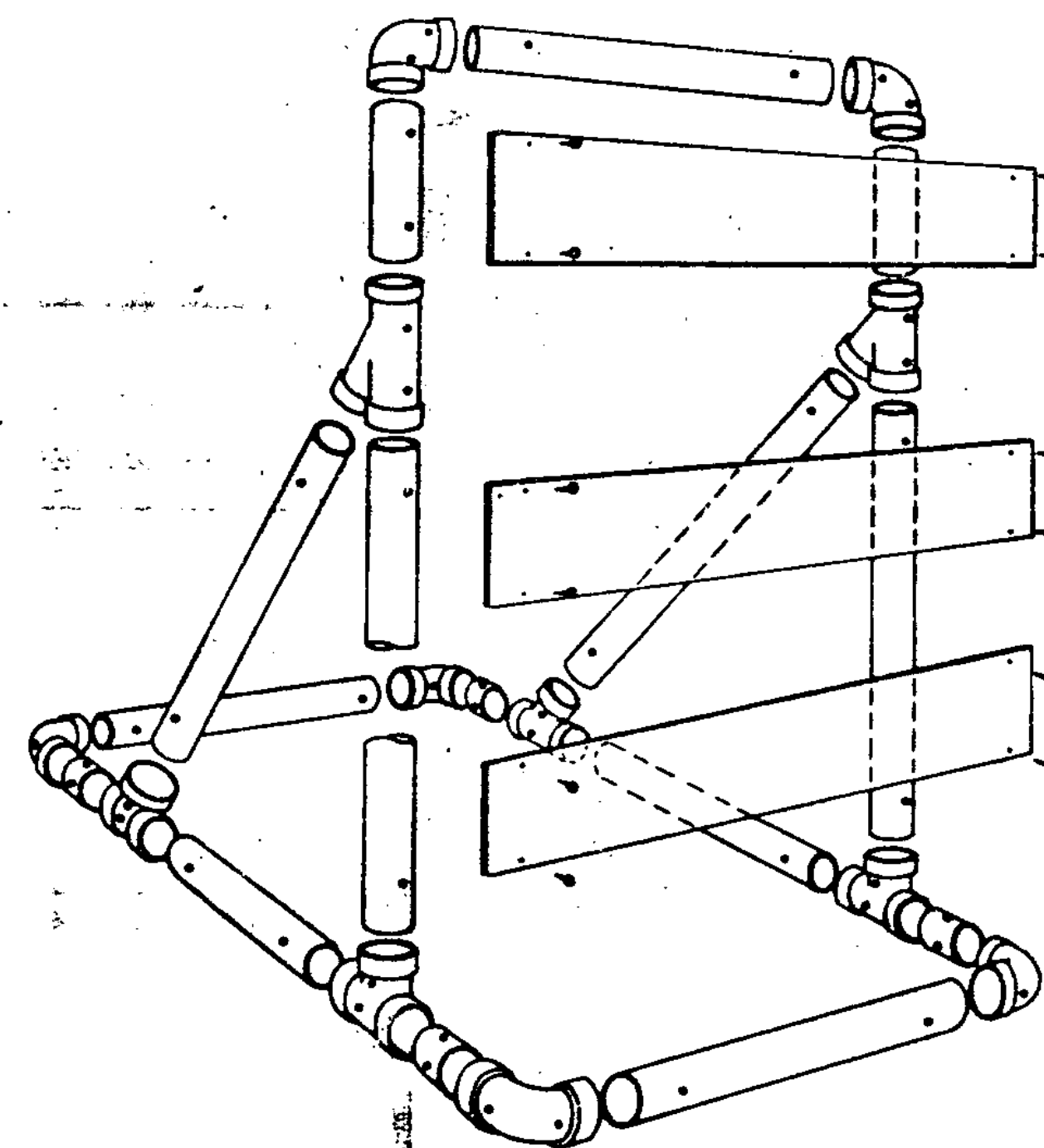


SIDE VIEW



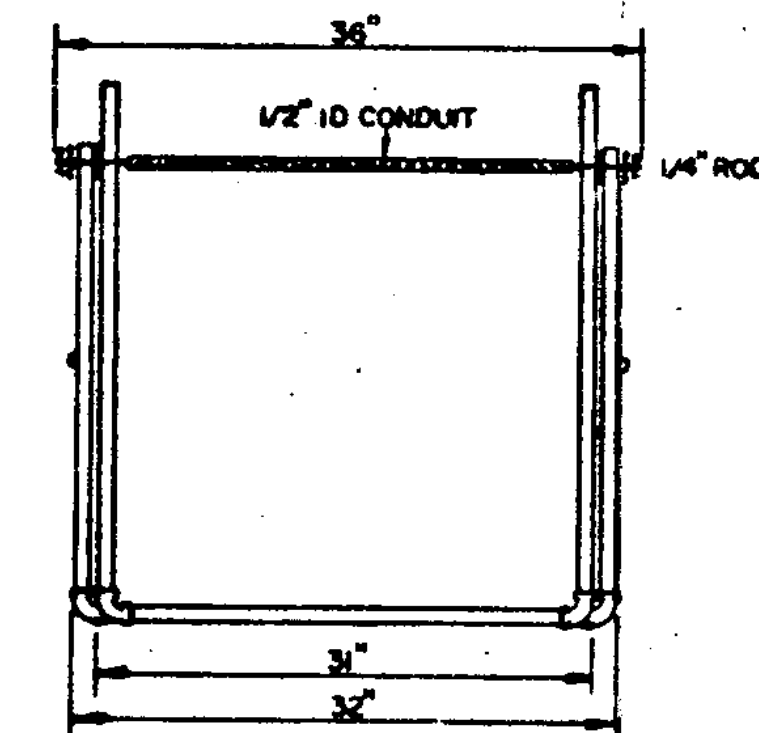
BARRICADES SHALL BE STABILIZED WITH SAND BAGS OR FLEXIBLE CONTAINERS OF SAND WHICH WILL NOT CONSTITUTE A HAZARD WHEN BARRICADE IS HIT. STABILIZERS SHALL BE SO PLACED AS NOT TO BE A HAZARD TO VEHICLES PASSING ON EITHER SIDE. IF BARRICADE REPLACEMENT COSTS CAN BE CONSIDERED NEGLIGIBLE, GLUED JOINTS MAY PROVIDE ADDITIONAL STABILITY TO THE INSTALLATION.



BARRICADE ASSEMBLY

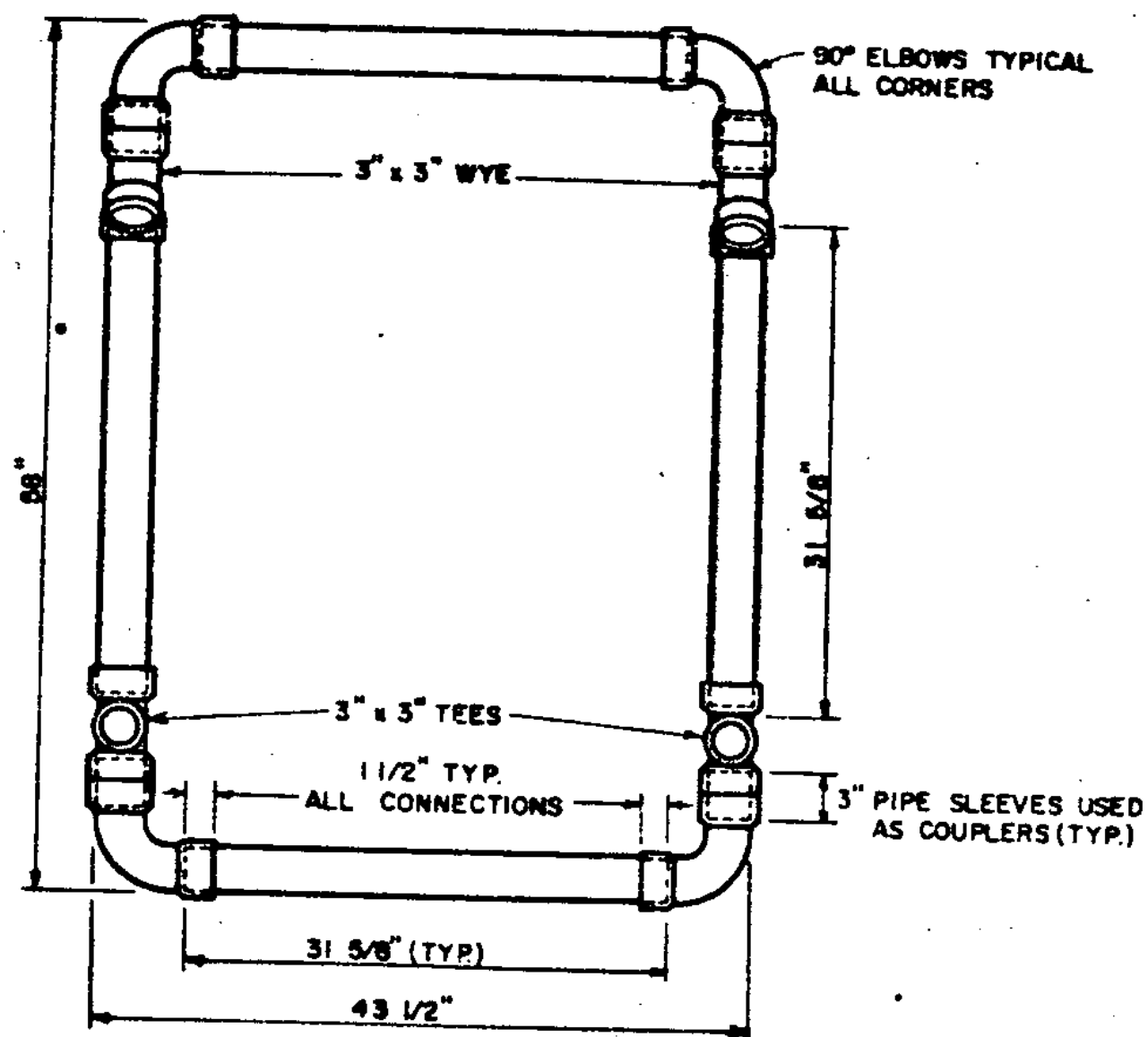
MATERIALS LIST FOR ONE BARRICADE

3" Diameter Pipe	30 LF
3" 1/4 Bend Elbow	6 EA
3" Tees	2 EA
3" Wyes	4 EA
9" x 48" x .025 Barricade Panels	3 EA
5/8" x 11" No. 8 Spring	2 EA
1" No. 14 Pan Head Metal Screws	12 EA
No. 18 Black Annealed Tie Wire	18 LF

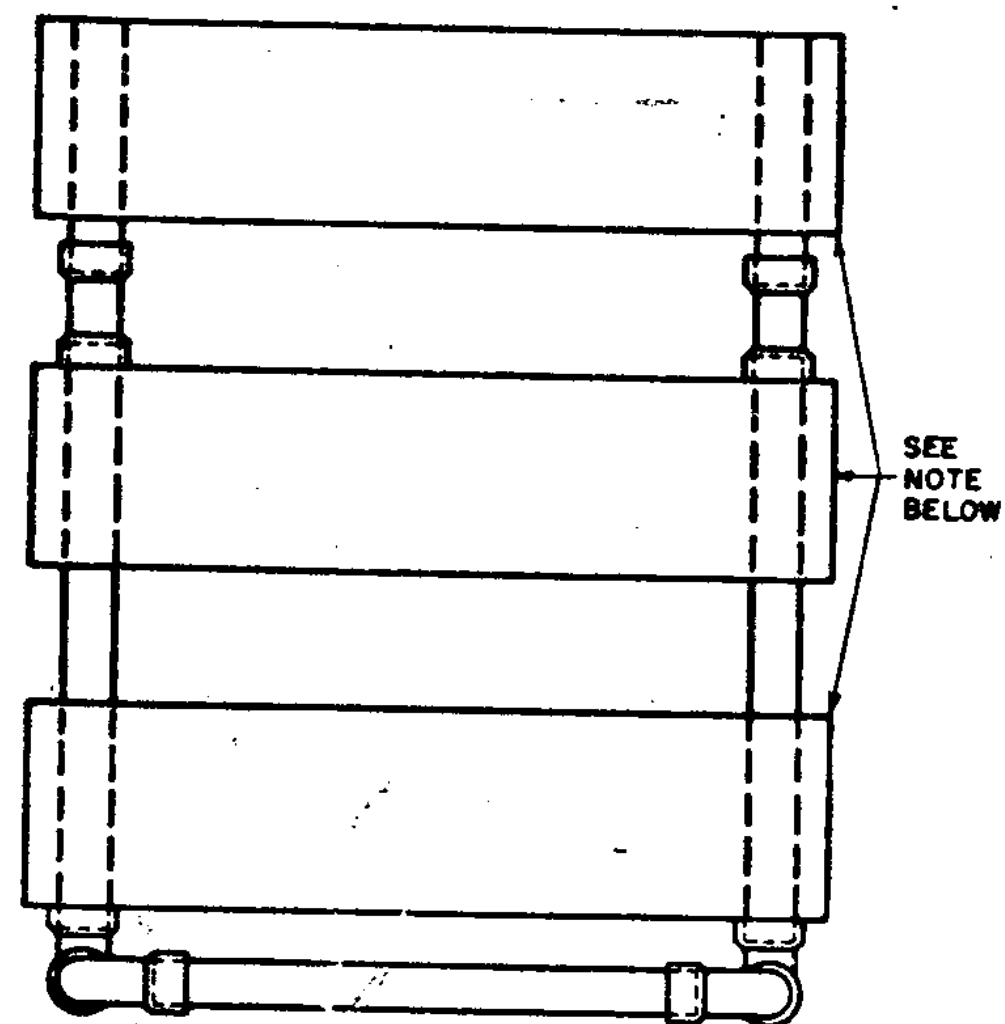


MATERIALS FOR TYPE I & II BARRICADES
 20'-1" PVC
 4'-1" PVC 90° ELBOWS
 30'-1/2" ID THINWALL CONDUIT
 36'-1/4" STEEL ROD
 4'-1" WASHERS
 24'- LIGHT DUTY CHAIN
 4'- METAL SCREWS
 2'- 3/4" COTTER PINS

TYPE I BARRICADES SHALL CONSIST OF ONE HORIZONTAL PANEL.
 TYPE II BARRICADES SHALL CONSIST OF AN ADDITIONAL HORIZONTAL PANEL MOUNTED BELOW THE OTHER.
 SEE STD E-7 FOR USE REQUIREMENTS.

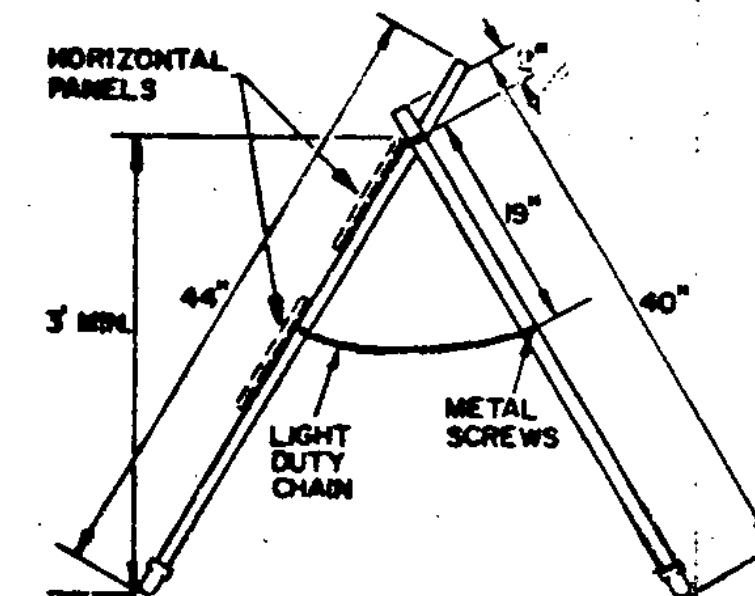


TOP VIEW OF BASE



FRONT VIEW

NOTE - 9" x 48" BARRICADE HAZARD PANELS ORANGE AND WHITE RIGHT OR LEFT. (.025 ANODIZED ALUMINUM). PANELS ATTACHED WITH 1" NO. 14 PAN HEAD METAL SCREW.



TYPE I & II BARRICADE DETAILS

REVISIONS & CORRECTIONS
 JAN. 11, 1977 - REVISED ACCORDING TO FHWA REQUIREMENTS.
 JUNE 8, 1977 - MATERIALS LIST ADDED.
 APR. 8, 1982 - CEMENTING NOTE AND BARRICADES TYPE I & II ADDED.

APPROVED

Dec 30, 1976
 DATE

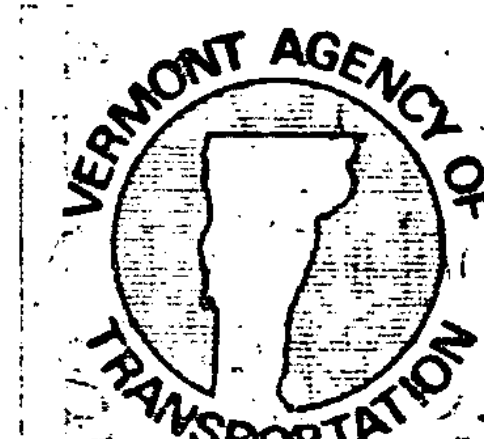
E. W. Stinchey
 CHIEF ENGINEER

RO Munn
 ASST. CHIEF ENGINEER

Lois L. Jones
 HIGHWAY ENGINEER

TRAFFIC SIGNS

BREAKAWAY BARRICADE
 DETAILS



STANDARD

E-7A