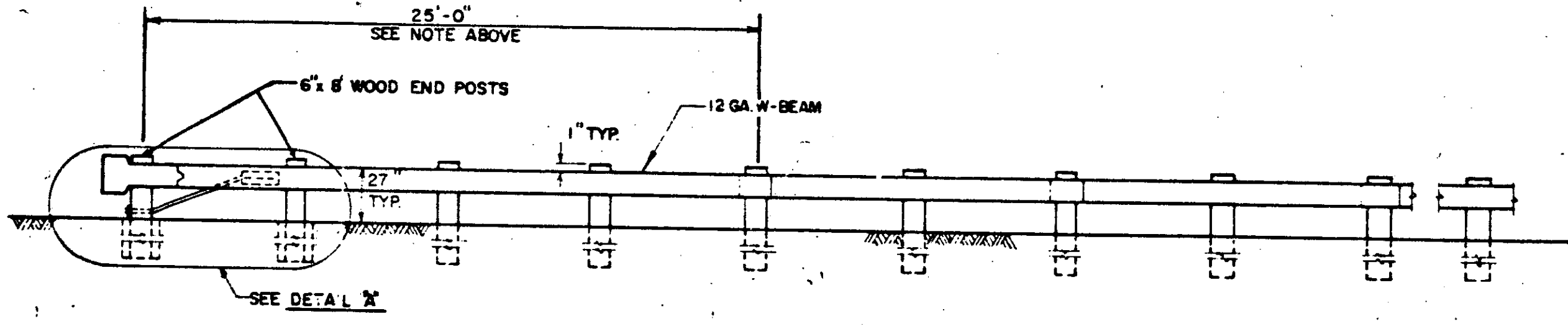
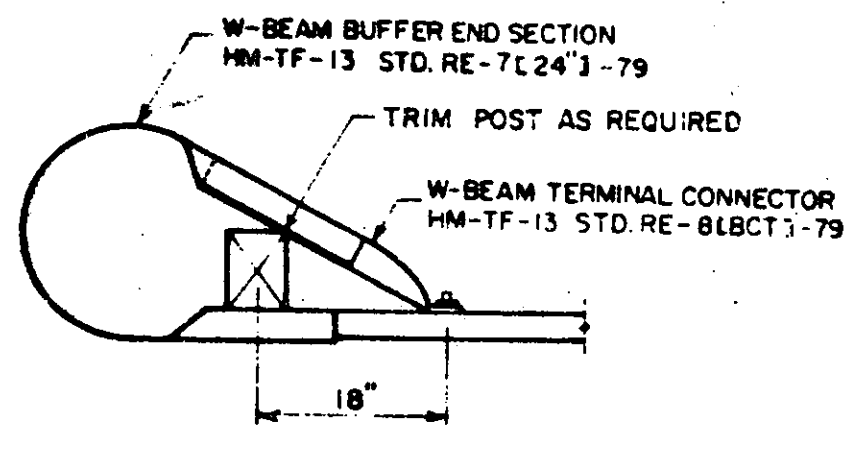


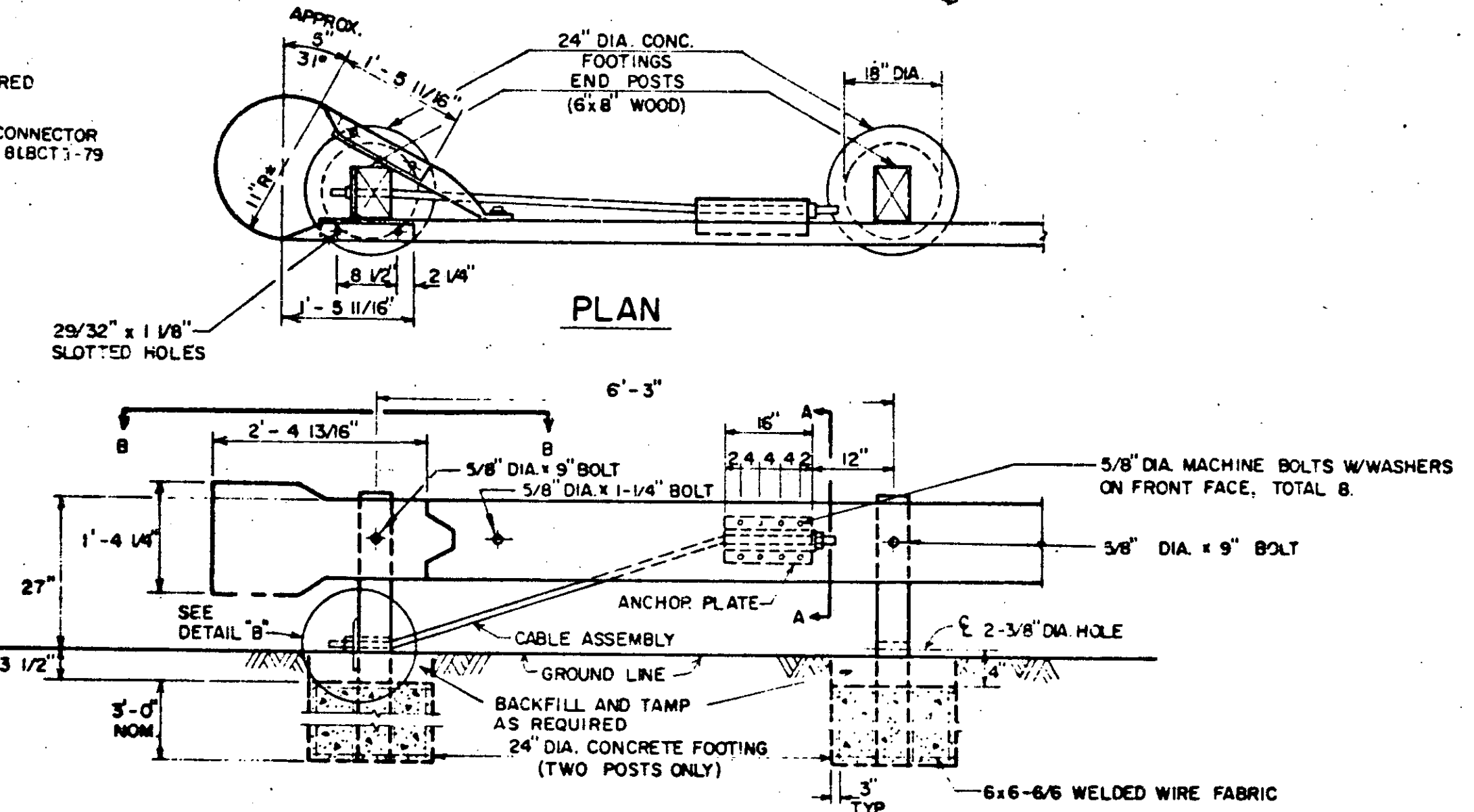
PLAN



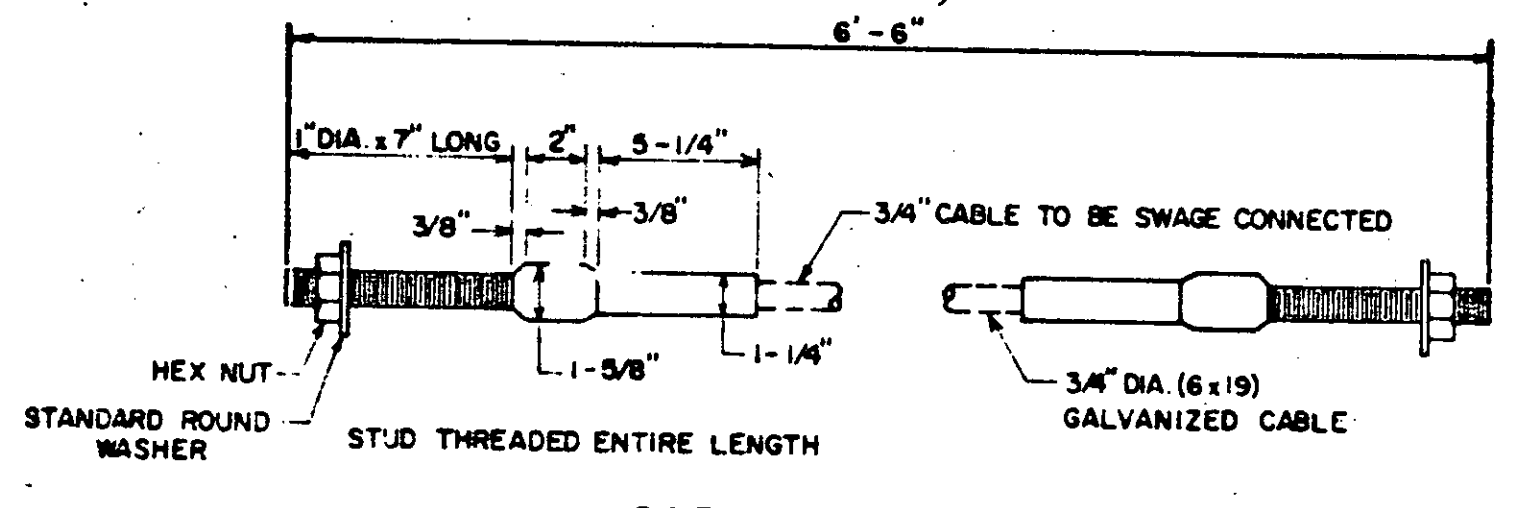
ELEVATION



VIEW B-B

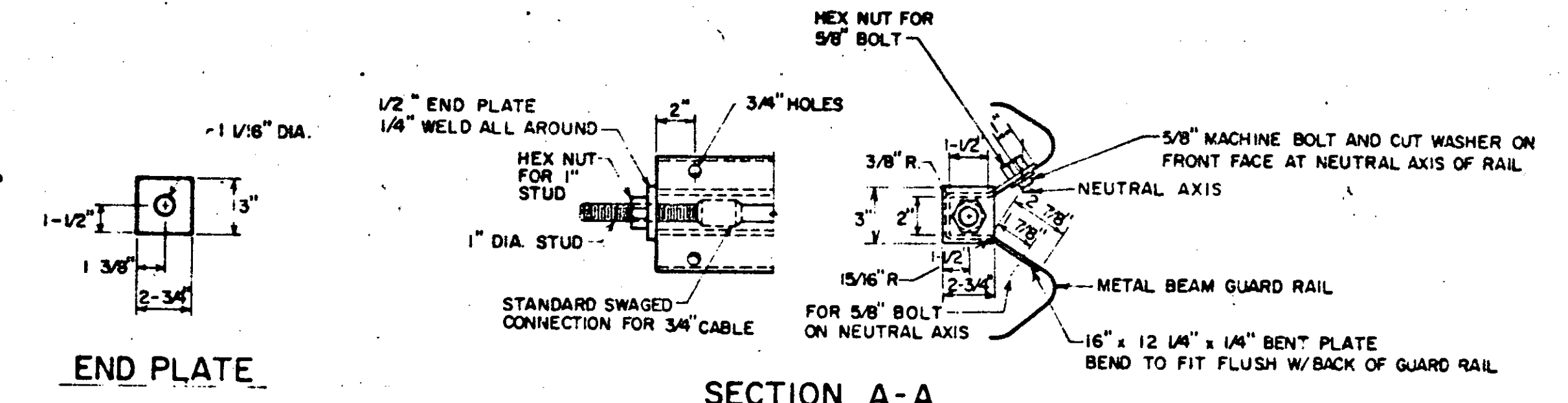


ELEVATION DETAIL "A"



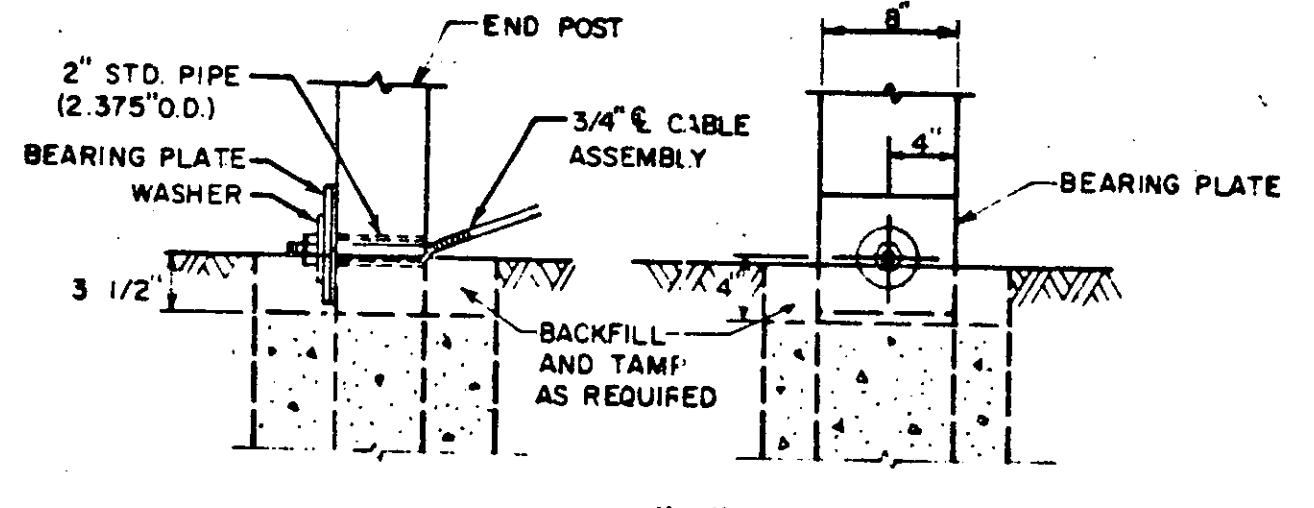
CABLE ASSEMBLY

- NOTES
1. OTHER ANCHOR CABLE ASSEMBLIES MAY BE USED. MINIMUM BREAKING STRENGTH OF ASSEMBLY SHOULD BE 40,000 LBS.
 2. CONCRETE FOOTINGS ARE CLASS B. IN SANDY FILL AREAS, CONSIDERATION TO INCREASING SIZE OF END FOOTING IS SUGGESTED.
 3. A DOUBLE WRAP OF ASPHALT TREATED FELT AROUND END POSTS BEFORE CONCRETE PLACEMENT WILL FACILITATE REPLACEMENT OF DAMAGED POSTS.
 4. STANDARD SHEET G-1 WILL BE USED IN CONJUNCTION WITH THIS STANDARD.
 5. USE 12" LONG W-BEAM BACK-UP PLATE AT POSTS WHERE W-BEAM SPLICE DOES NOT OCCUR.

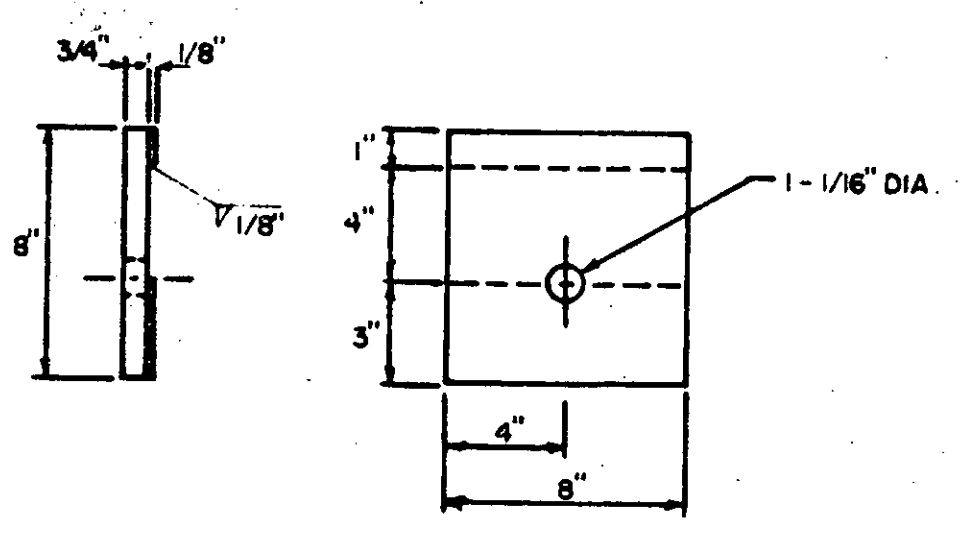


END PLATE

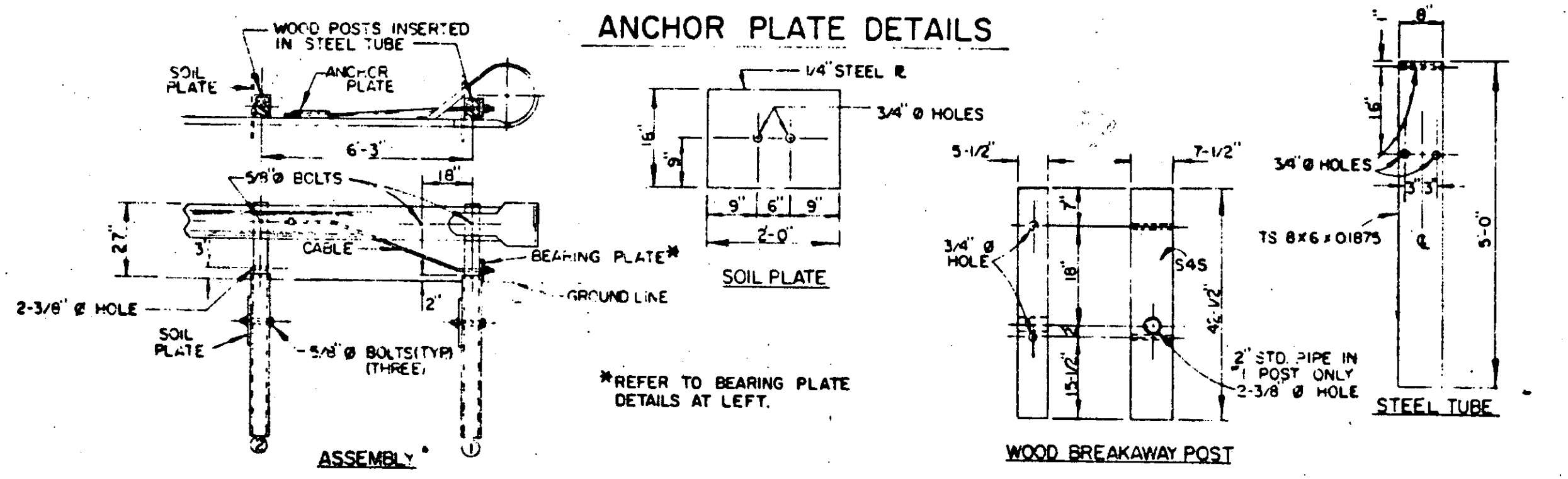
SECTION A-A



DETAIL "B"



BEARING PLATE DETAILS



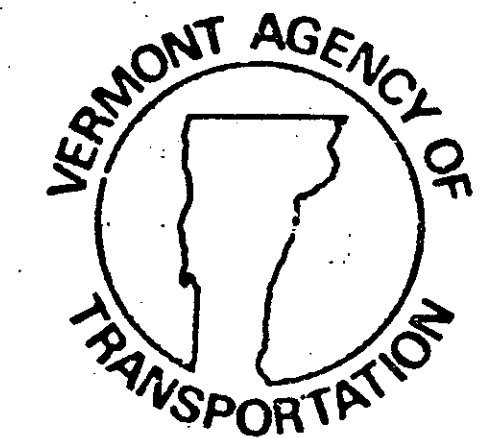
ANCHOR PLATE DETAILS

ALTERNATE FOUNDATION DETAILS

REVISIONS AND CORRECTIONS
 APR 21, 1977 - BREAKAWAY DETAIL LOWERED TO GROUND LINE.
 JAN 19 1981 - ALTERNATE FOUNDATION DETAILS ADDED. MISCELLANEOUS CLARIFICATION OF NOTES AND DETAILS.
 AUG 12, 1981 - REMOVED BEARING PLATE DETAIL FROM ALTERNATE FOUNDATION DETAILS.

APPROVED: DATE July 21, 1976
 Chief Engineer
 Asst. Chief Engineer
 Highway Engineer

BREAKAWAY CABLE TERMINAL FOR GUARDRAIL, STEEL BEAM WITH WOOD POSTS, TYPE II



STANDARD G-14