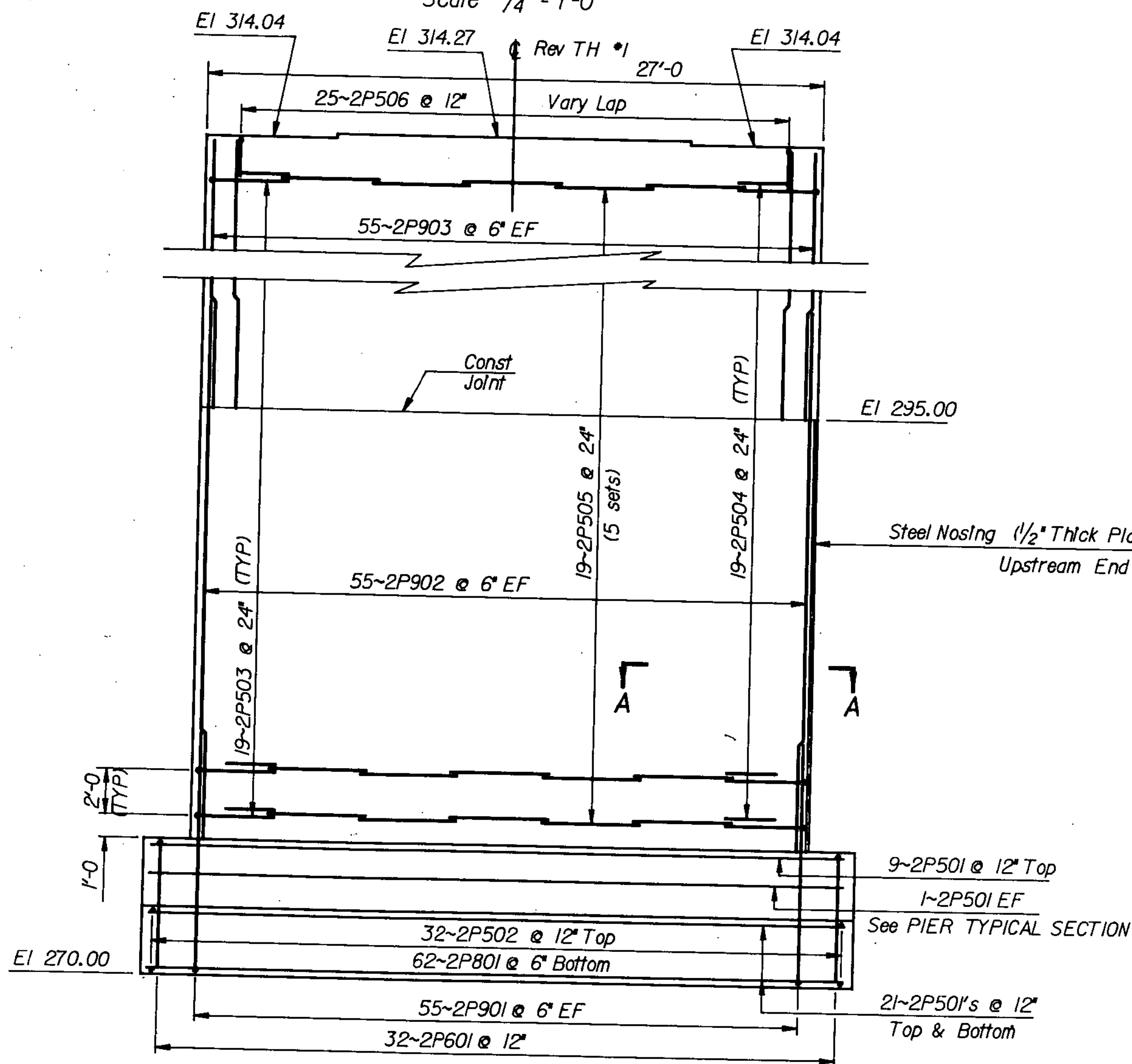


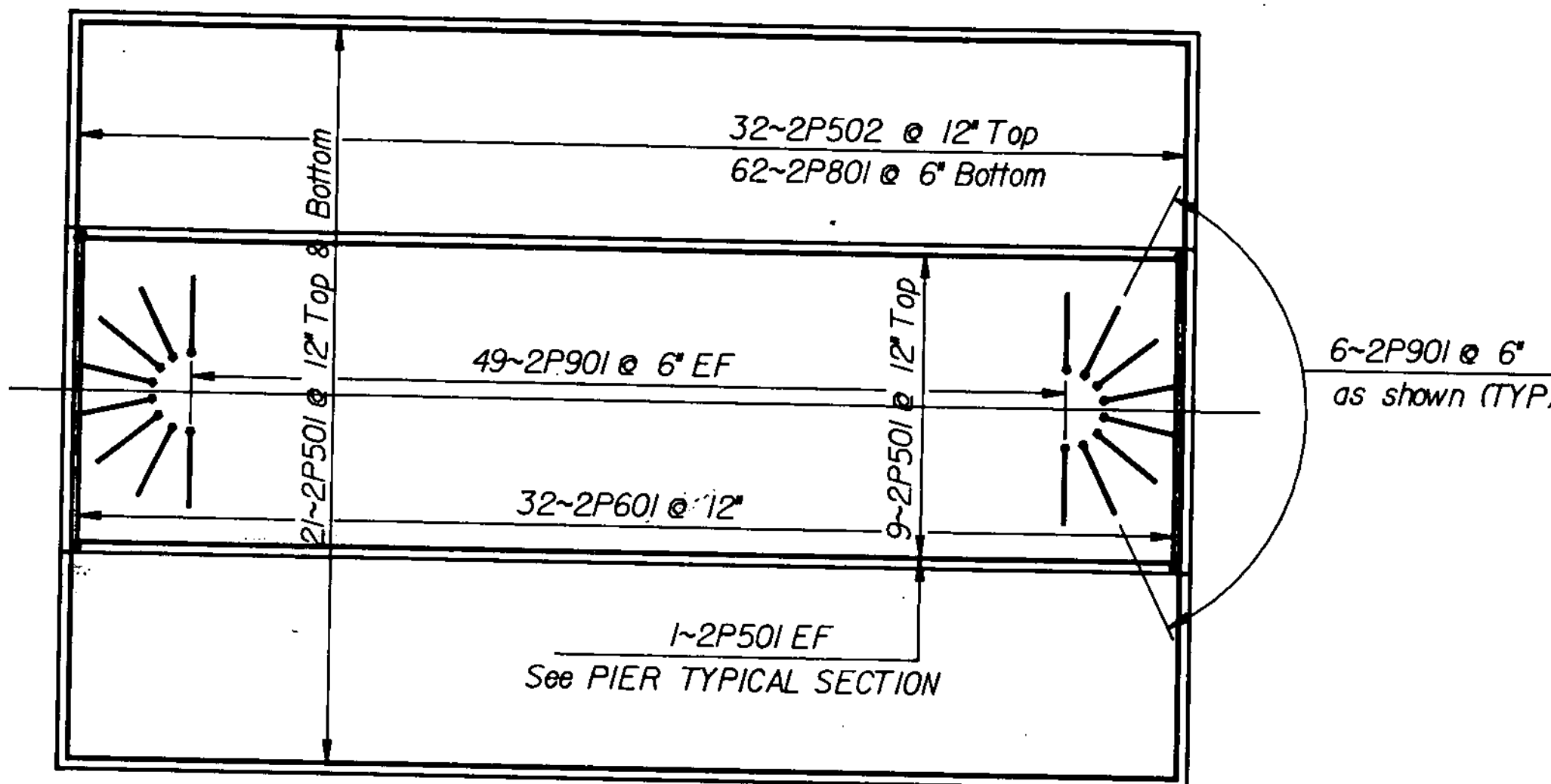
PIER No 2 PLAN

Scale 1/4" = 1'-0"



PIER No 2 ELEVATION

Scale 1/4" = 1'-0"



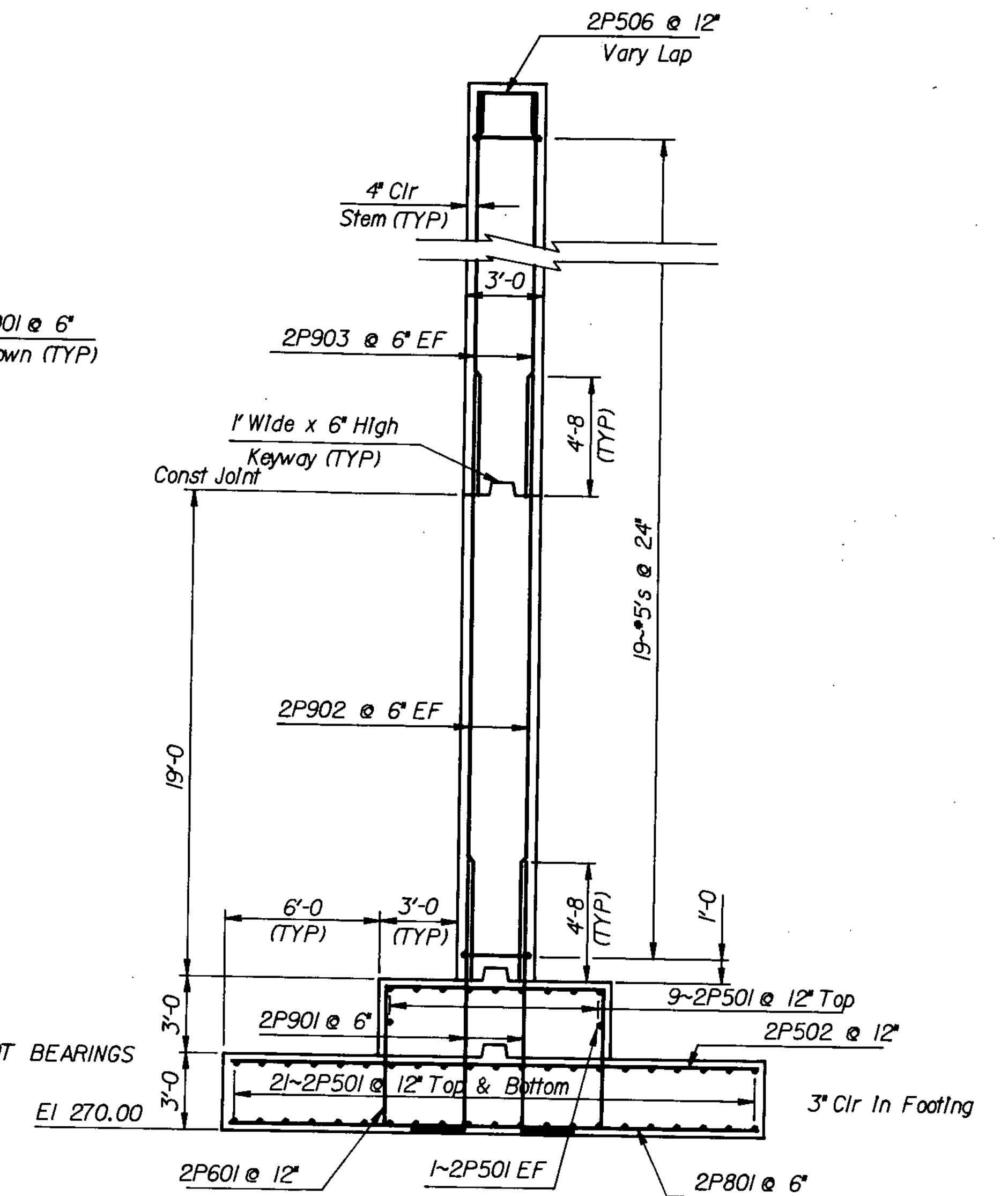
PIER No 2 FOOTING REINFORCING STEEL

Scale 1/4" = 1'-0"

PIER NOTES

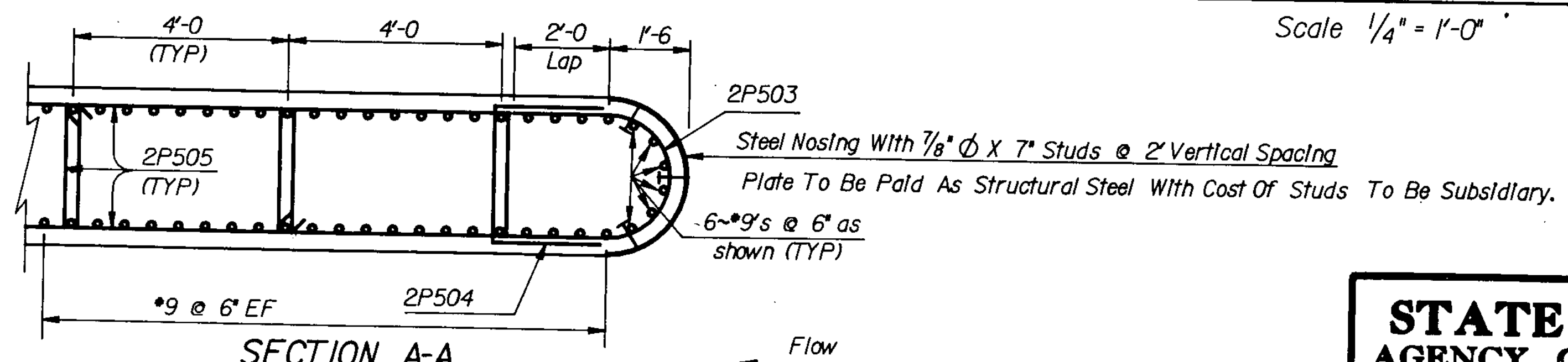
USE 4" CLEAR COVER IN STEM AND 3" CLEAR COVER IN FOOTING.

FINAL BRIDGE SEAT ELEVATIONS WILL BE ADJUSTED WHEN SHOP DRAWINGS FOR THE POT BEARINGS ARE RECEIVED FROM THE FABRICATOR.



PIER No 2 TYPICAL SECTION

Scale 1/4" = 1'-0"



SECTION A-A

Scale 1/2" = 1'-0"

STATE OF VERMONT		AGENCY OF TRANSPORTATION	
Town Of	GEORGIA	Bridge No.	10
Highway No.	TH #1	Log Sta.	
		Rev Sta.	88+15.0
TH #1 over LAMOILLE RIVER			
PIER #2 DETAILS			
Designed By	C.P. WILLIAMS	Drawn By	E. BLODGETT
Checked By	C.P. WILLIAMS	Date	11/84
		Bridge Design Supervisor	F.Y. BOLKUI
		Date	2/85
PROJECT	GEORGIA	PROJECT NO.	BRZ 1448(3)
LG.C. Info.	05AL30.233638070PR.DWG		
Bridge Sheet No.	Sheet 28 of 61		