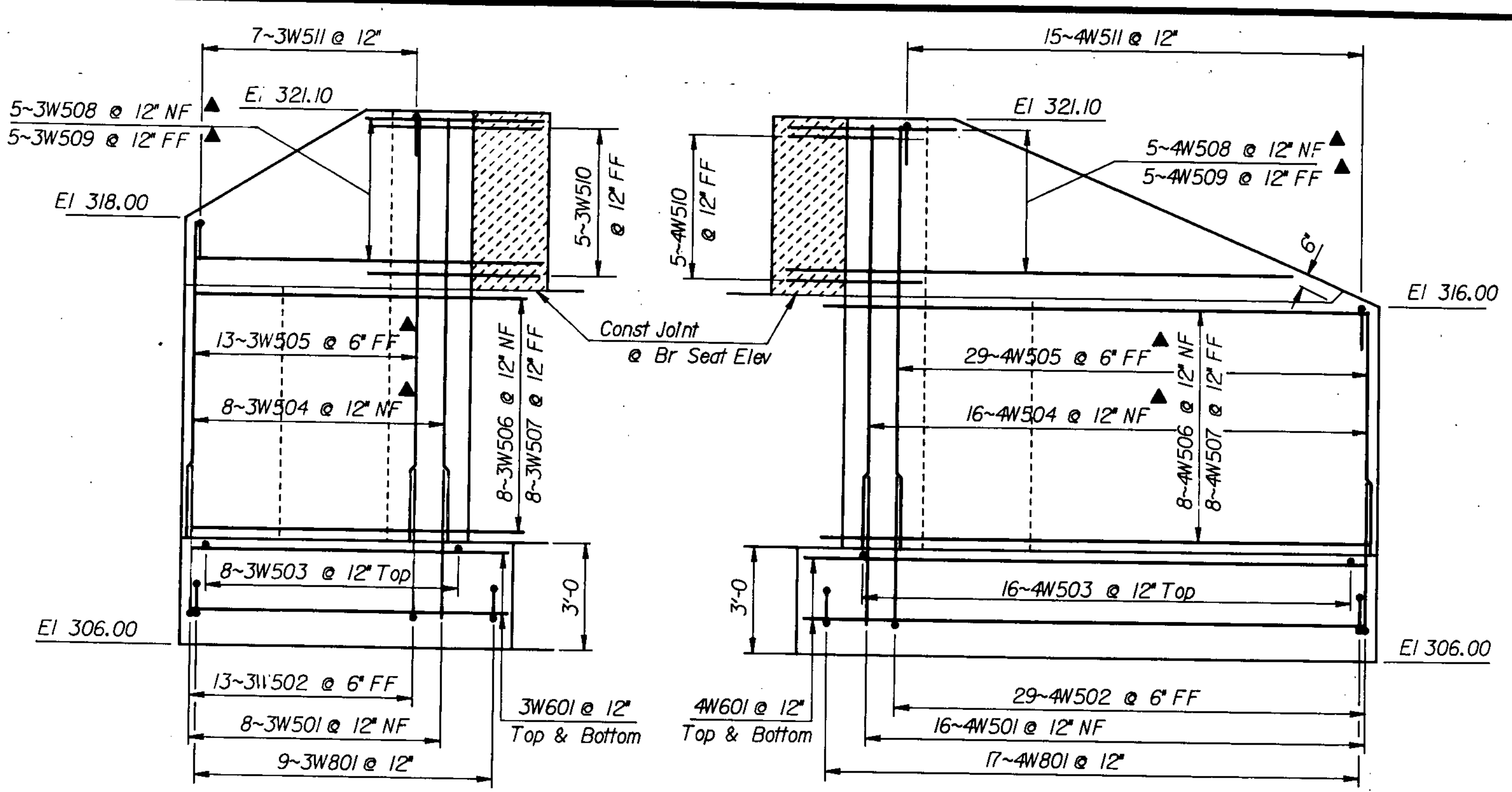


ABUTMENT No 2 PLAN

Scale 1/4" = 1'-0"

Indicates Cut to Fit in Field

FF = Far Face
NF = Near Face
EF = Each Face

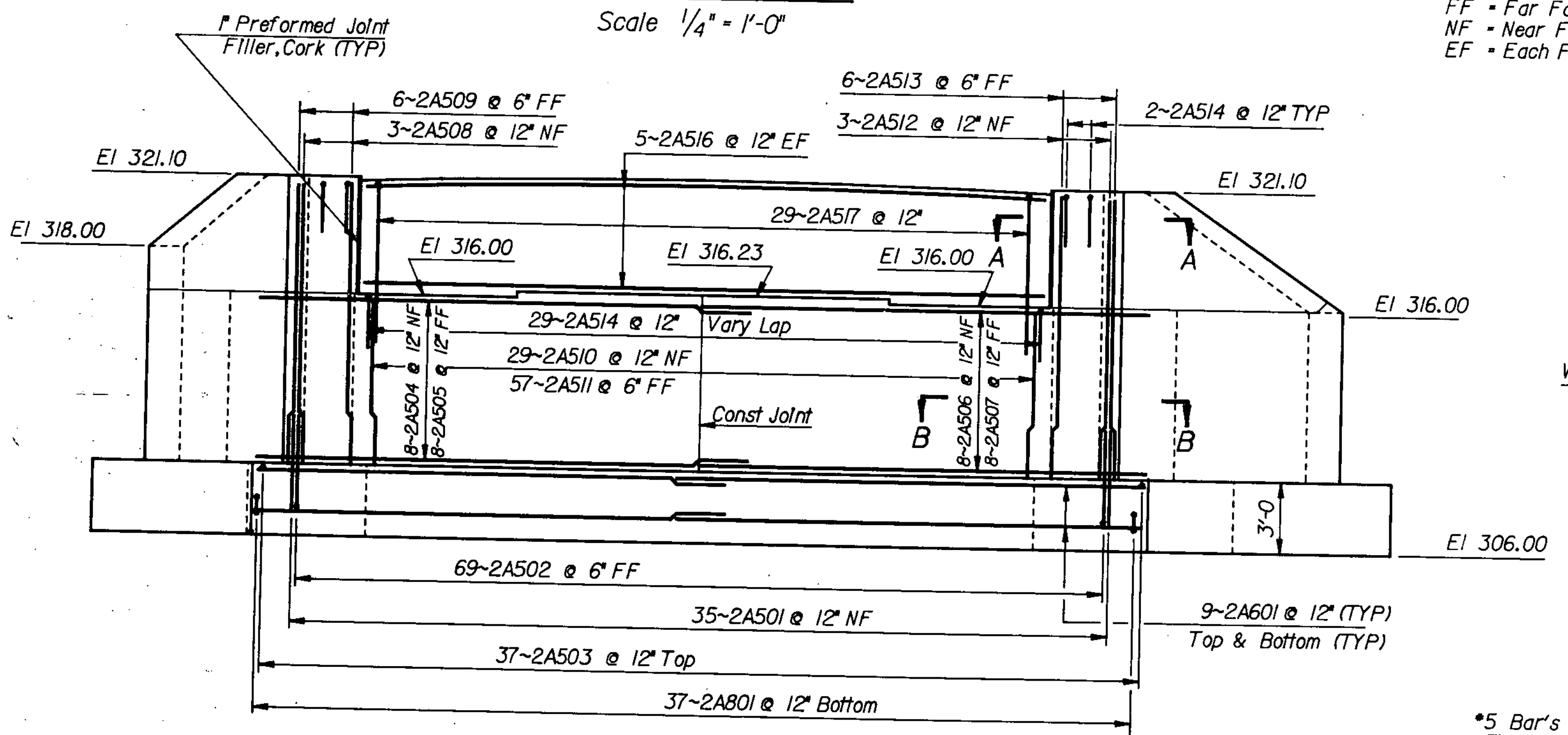


WINGWALL No 3 ELEVATION

Scale 3/8" = 1'-0"

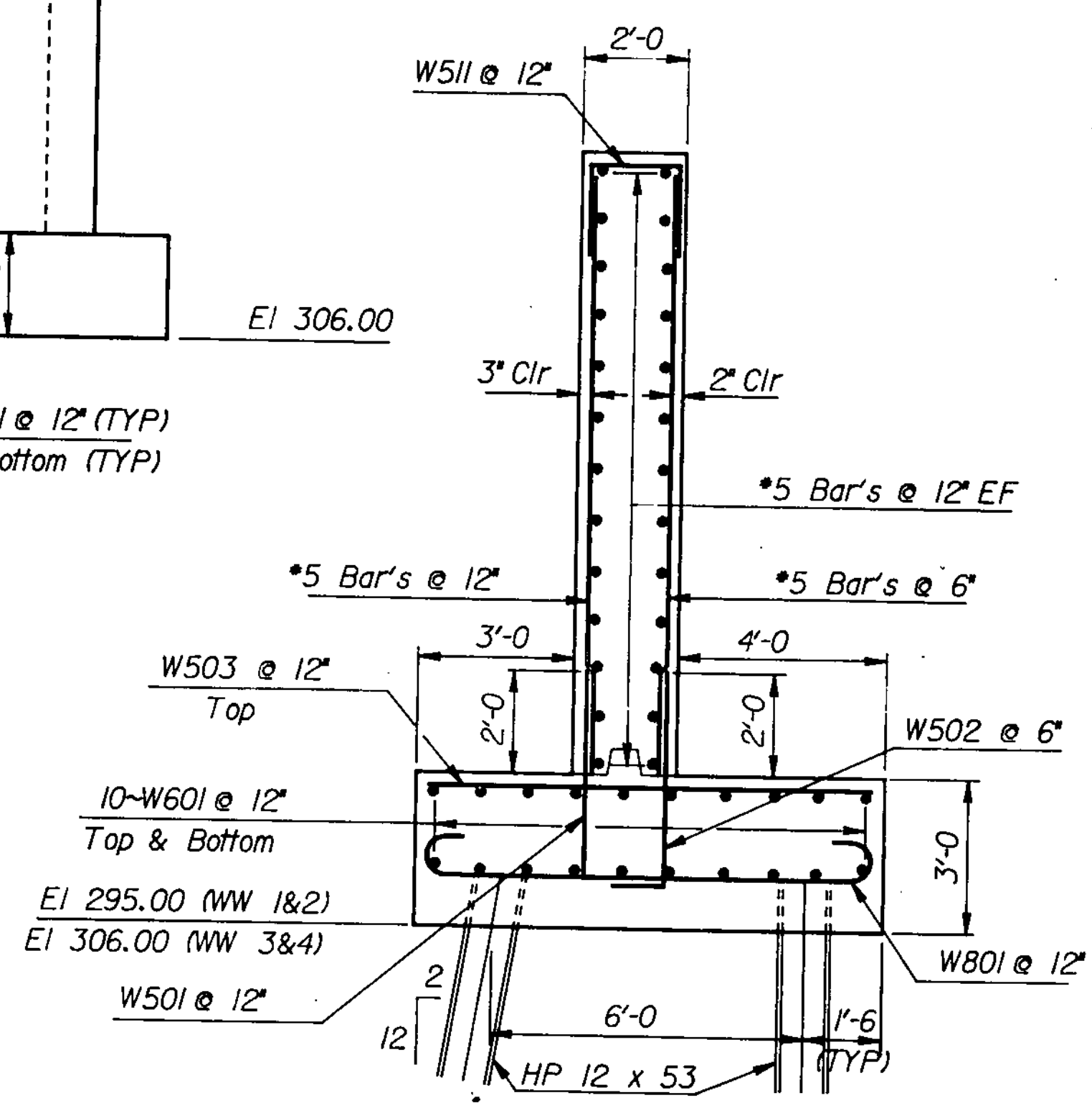
WINGWALL No 4 ELEVATION

Scale 3/8" = 1'-0"



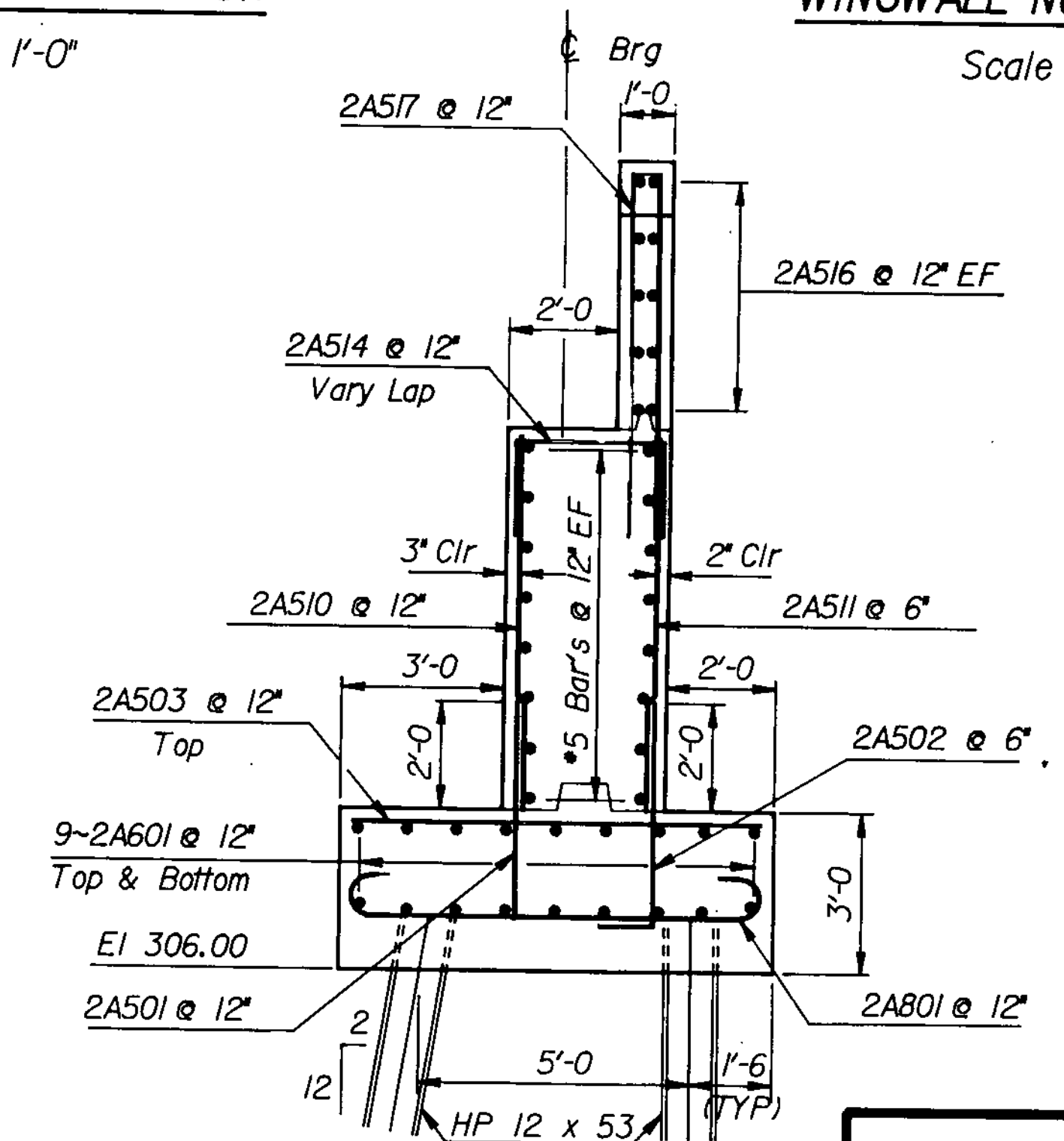
ABUTMENT No 2 ELEVATION

Scale 1/4" = 1'-0"



TYPICAL WINGWALL SECTION

Scale 3/8" = 1'-0"



ABUTMENT No 2 TYPICAL SECTION

Scale 3/8" = 1'-0"

| | | | |
|---------------------------|------------------------|---------------------------------|------------------------|
| STATE OF VERMONT | | AGENCY OF TRANSPORTATION | |
| Town Of | GEORGIA | Bridge No. | 10 |
| Highway No. | TH #1 | Log Sta. | |
| | | Surv. Sta. | Rev 88+15.00 |
| TH #1 over LAMOILLE RIVER | | | |
| ABUTMENT No 2 DETAILS | | | |
| Designed By | C. WILLIAMS | Drawn By | E. BLODGETT |
| Checked By | G. ROGERS | Date | 12/84 |
| | | Bridge Design Supervisor | F. W. Balkum Date 2/85 |
| PROJECT | GEORGIA | PROJECT NO. | BRZ 1448(3) |
| LG.C. Info. | GSAH30237838070AG1.DGN | | |
| Bridge Sheet No. | Sheet 25 of 61 | | |