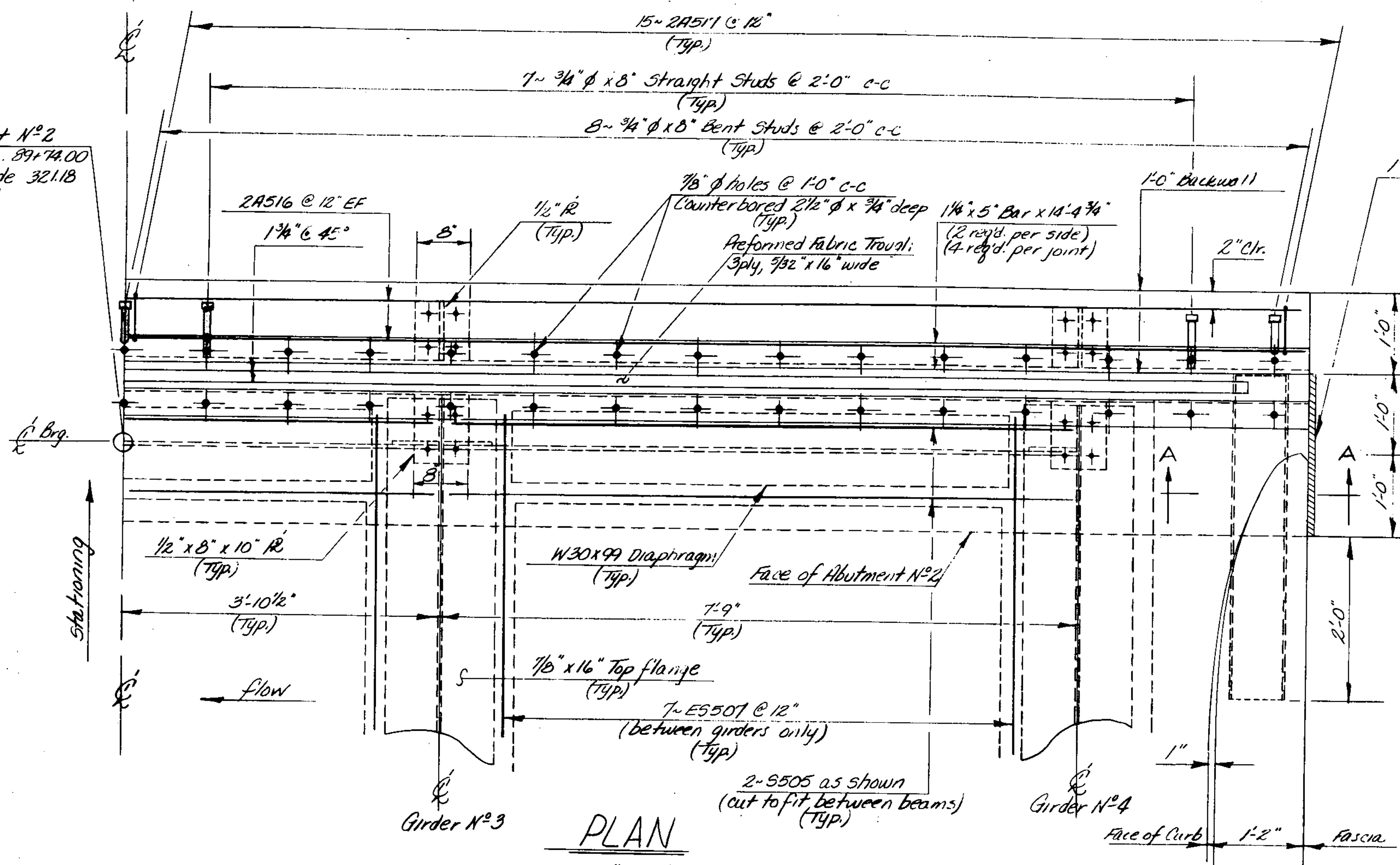
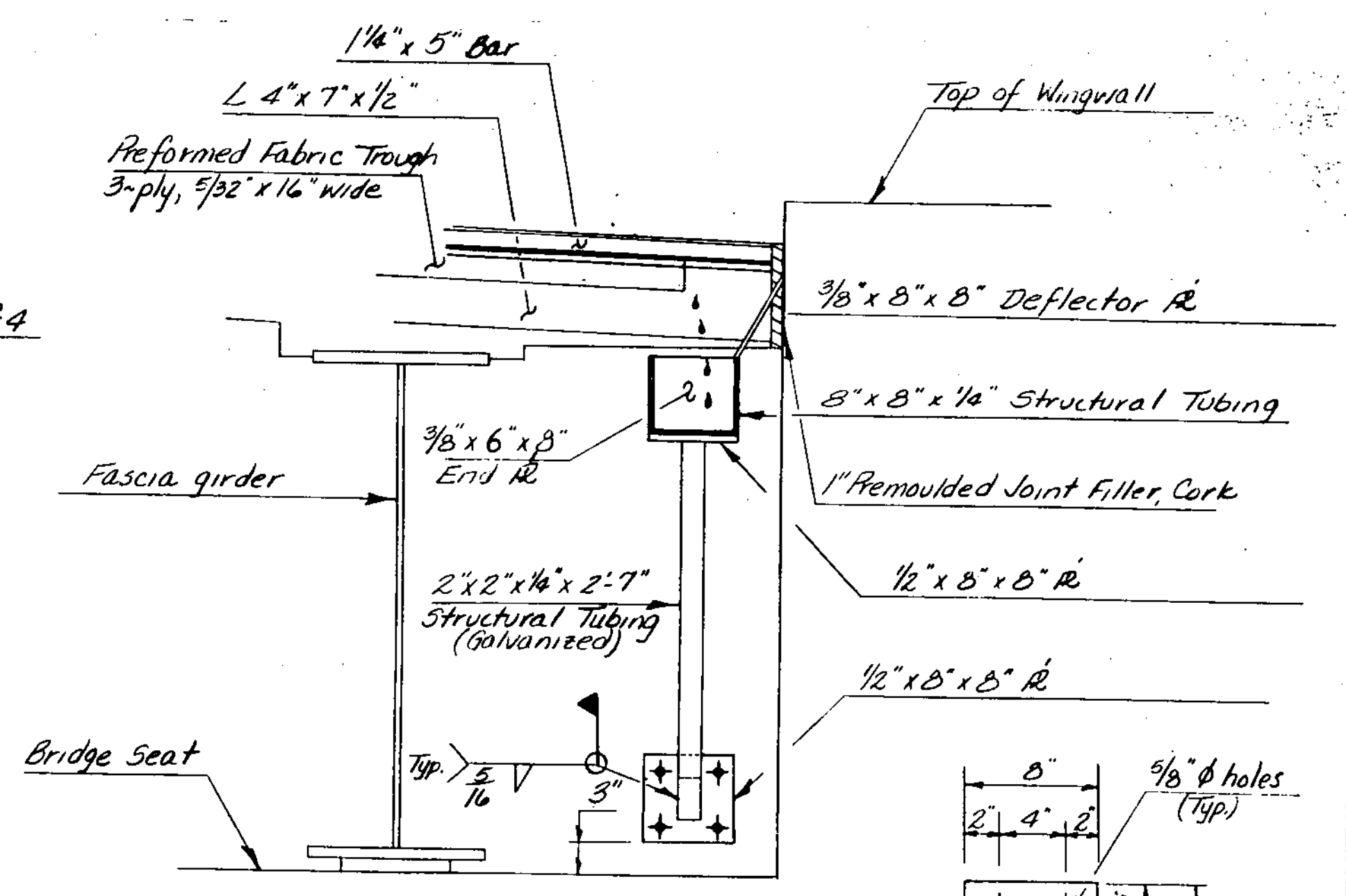


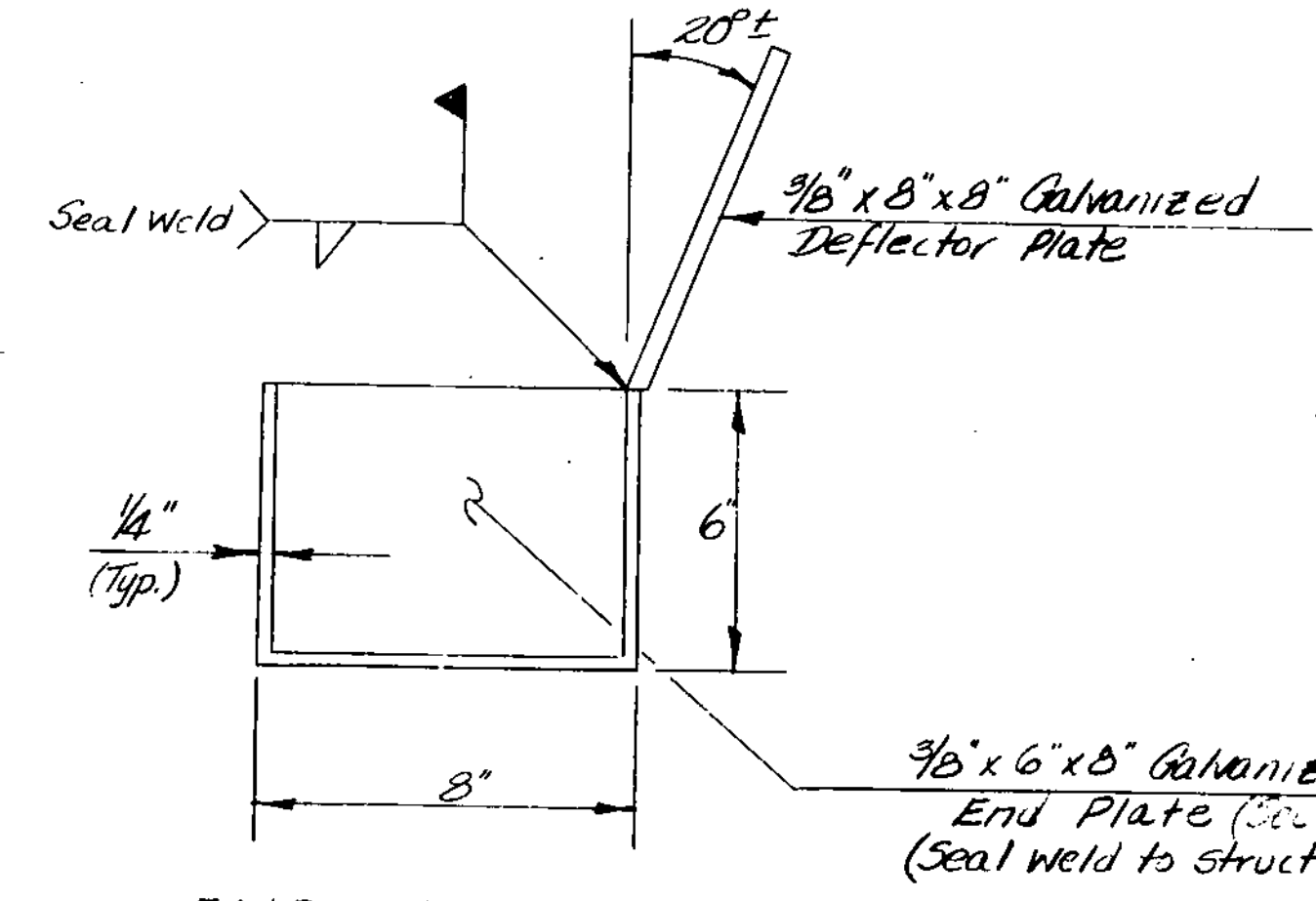
Abutment N^o 2
 C. Brg. Sta. 89+74.00
 Finish Grade 321.8
 Expansion



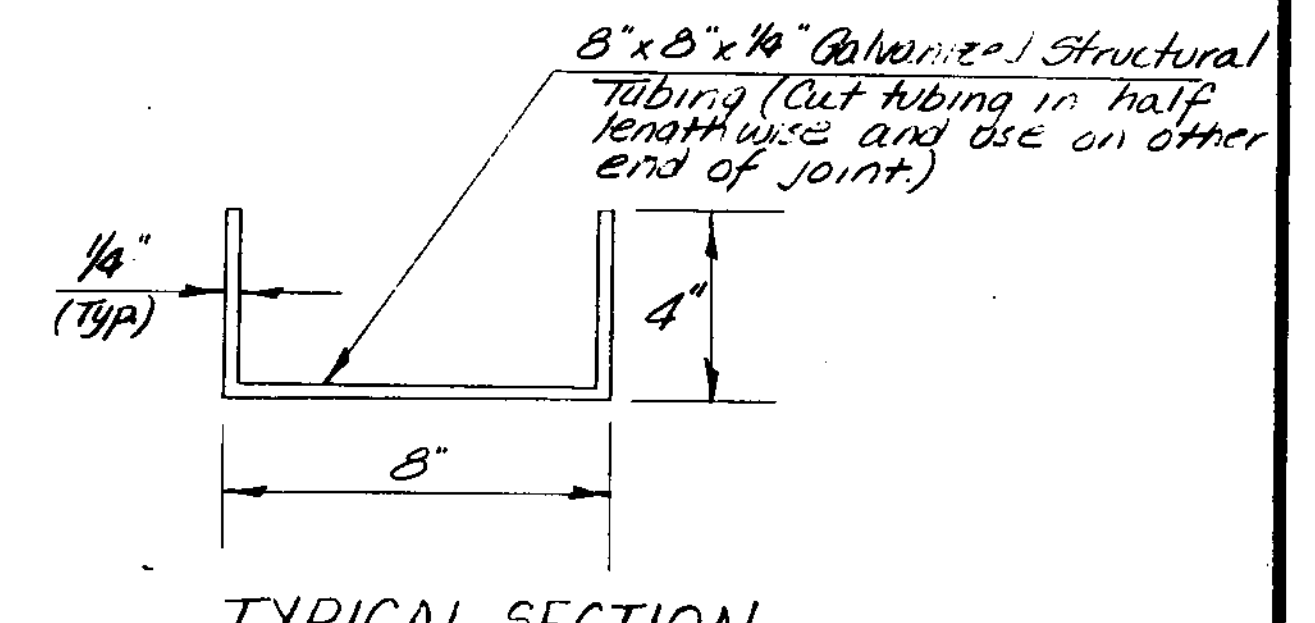
PLAN
 1" = 1'-0"



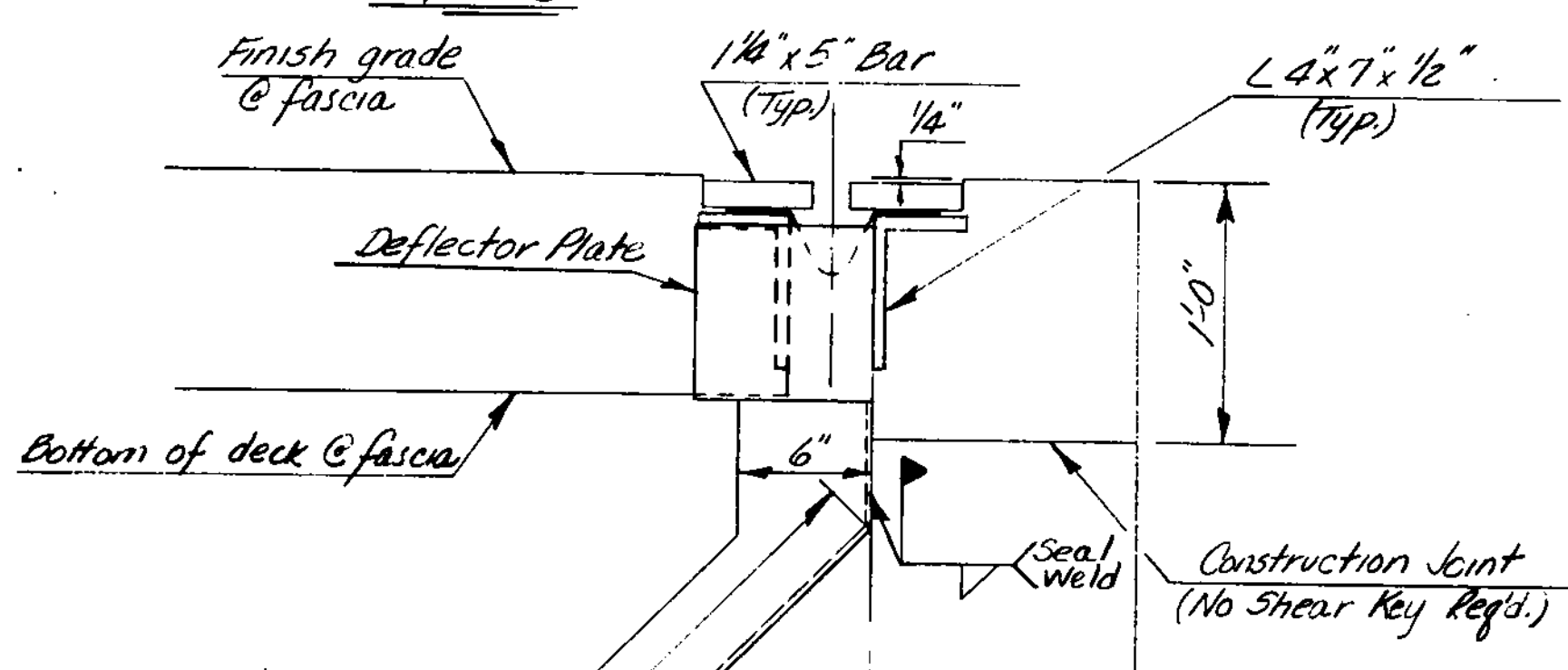
SECTION A-A
 1" = 1'-0"



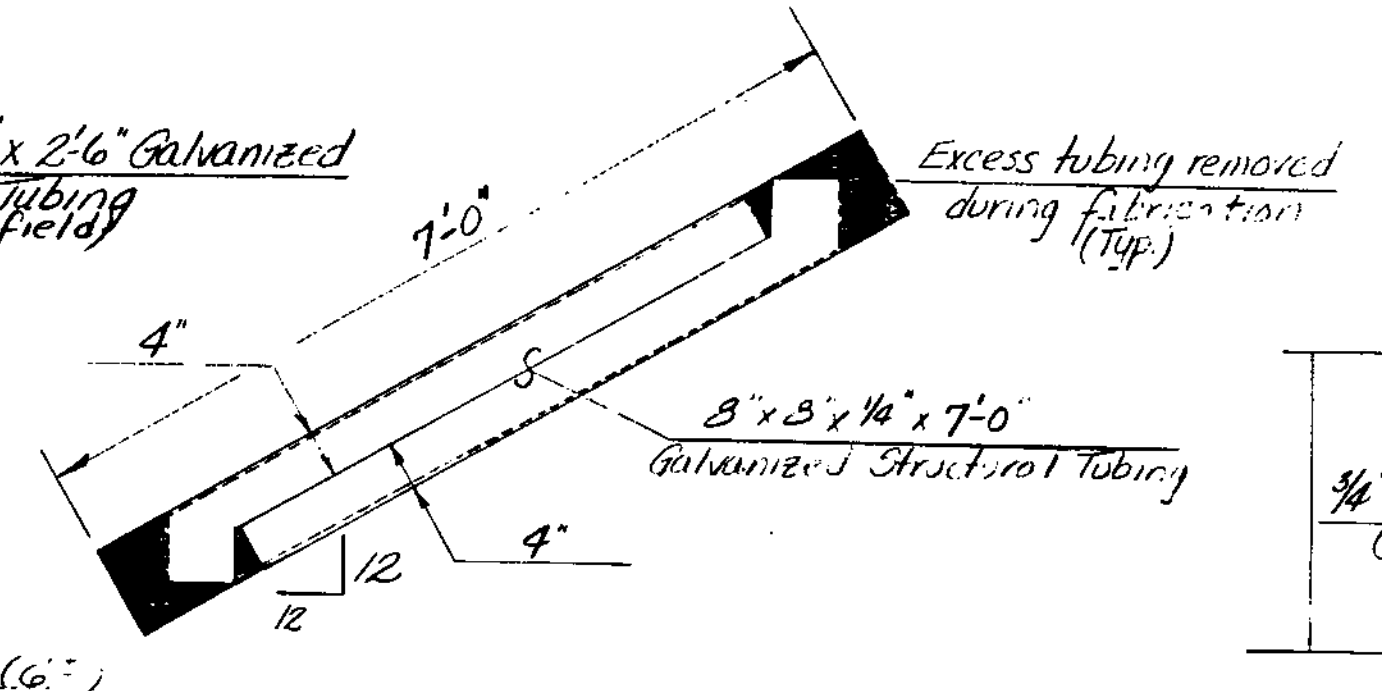
END DETAIL
 3" = 1'-0"



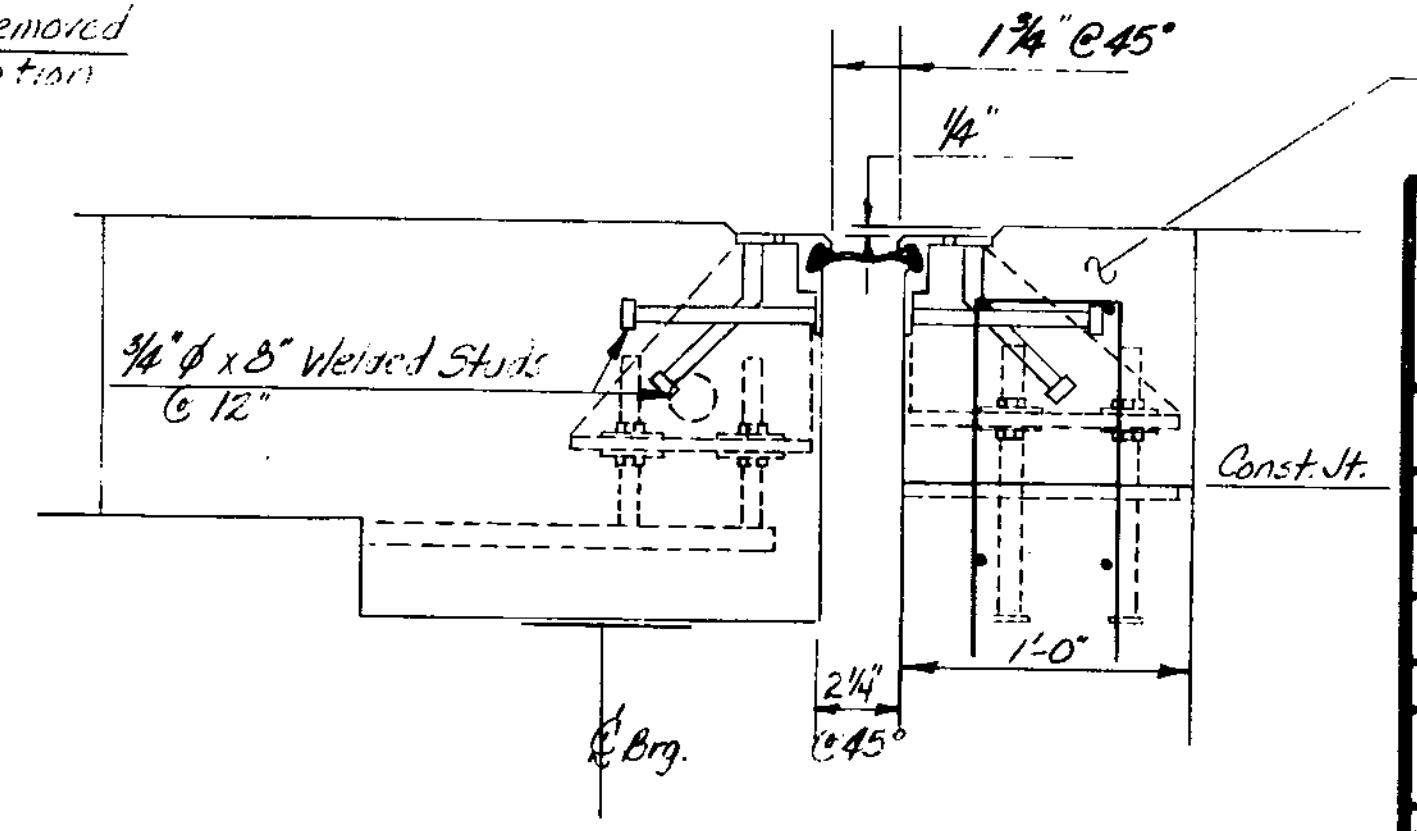
TYPICAL SECTION
 3" = 1'-0"



TROUGH SUPPORT DETAILS
 1 1/2" = 1'-0"



DRAIN TROUGH DETAIL
 N.T.S.



OPTIONAL JOINT DETAIL
 1 1/2" = 1'-0"

NOTES
 1. The fabricator may have the option of fabricating the drain trough from a piece of 1/4" x 16" plate in lieu of using the structural tubing as shown.

STATE OF VERMONT AGENCY OF TRANSPORTATION	
Town Of GEORGIA	Bridge No. 10
Highway No. Town Highway N^o 1	Log Sta. 88+15.00
Town Highway N^o 1 Over Lamolle River	
Expansion Joint and Drain Trough Details	
Designed By D.W. Newton	Drawn By D.W. Newton
Checked By G.S. Rogers	Bridge Design Supervisor F.V. Bolku
Date 2/85	Date 2/85
PROJECT GEORGIA	PROJECT NO. BR 21428(3)
L.G.C. Info.	
Bridge Sheet No.	Sheet 23 of 61