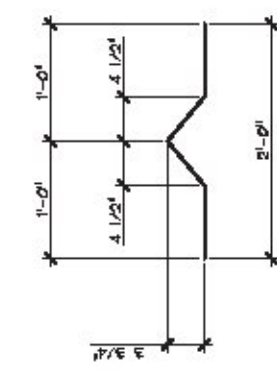
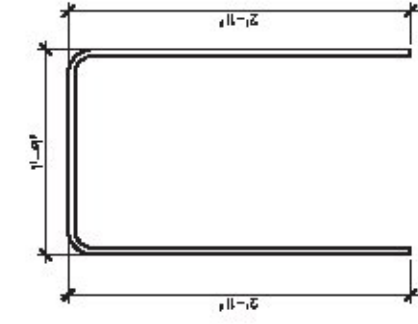


**PRECAST WINGWALLS**  
 USE 3/4" DIA. REINFORCING BARS  
 (C) REINFORCED



**PRECAST WINGWALLS**  
 USE 3/4" DIA. REINFORCING BARS  
 (C) REINFORCED



**PRECAST BACKWALLS**  
 USE 3/4" DIA. REINFORCING BARS  
 (C) REINFORCED

MERCHANT STREET MISCELLANEOUS MATERIALS			REMARKS
ITEM NO.	QTY	DESCRIPTION	
1	10	1/2" X 1/2" X 1/2" GALV. SHEET PILING	BLACK STEEL (FORM FOR TIEBARS)
2	20	1/2" X 1/2" X 1/2" GALV. SHEET PILING	BLACK STEEL
3	20	1/2" X 1/2" X 1/2" GALV. SHEET PILING	BLACK STEEL
4	10	1/2" X 1/2" X 1/2" GALV. SHEET PILING	BLACK STEEL
5	10	1/2" X 1/2" X 1/2" GALV. SHEET PILING	BLACK STEEL
6	10	1/2" X 1/2" X 1/2" GALV. SHEET PILING	BLACK STEEL
7	10	1/2" X 1/2" X 1/2" GALV. SHEET PILING	BLACK STEEL
8	10	1/2" X 1/2" X 1/2" GALV. SHEET PILING	BLACK STEEL
9	10	1/2" X 1/2" X 1/2" GALV. SHEET PILING	BLACK STEEL
10	10	1/2" X 1/2" X 1/2" GALV. SHEET PILING	BLACK STEEL
11	10	1/2" X 1/2" X 1/2" GALV. SHEET PILING	BLACK STEEL
12	10	1/2" X 1/2" X 1/2" GALV. SHEET PILING	BLACK STEEL
13	10	1/2" X 1/2" X 1/2" GALV. SHEET PILING	BLACK STEEL
14	10	1/2" X 1/2" X 1/2" GALV. SHEET PILING	BLACK STEEL
15	10	1/2" X 1/2" X 1/2" GALV. SHEET PILING	BLACK STEEL
16	10	1/2" X 1/2" X 1/2" GALV. SHEET PILING	BLACK STEEL
17	10	1/2" X 1/2" X 1/2" GALV. SHEET PILING	BLACK STEEL
18	10	1/2" X 1/2" X 1/2" GALV. SHEET PILING	BLACK STEEL
19	10	1/2" X 1/2" X 1/2" GALV. SHEET PILING	BLACK STEEL
20	10	1/2" X 1/2" X 1/2" GALV. SHEET PILING	BLACK STEEL
21	10	1/2" X 1/2" X 1/2" GALV. SHEET PILING	BLACK STEEL
22	10	1/2" X 1/2" X 1/2" GALV. SHEET PILING	BLACK STEEL
23	10	1/2" X 1/2" X 1/2" GALV. SHEET PILING	BLACK STEEL
24	10	1/2" X 1/2" X 1/2" GALV. SHEET PILING	BLACK STEEL
25	10	1/2" X 1/2" X 1/2" GALV. SHEET PILING	BLACK STEEL

APPROVAL STAMP:

Approved  
 J.P. Carrara  
 J.P. Carrara & Sons Inc.  
 RECORD: June 27, 2017  
 STATE OF VERMONT  
 AGENCY OF TRANSPORTATION

**J.P. CARRARA & SONS INC.**  
 Precast & Prestress Manufacturing  
 1000 S. Rte. 100, Montpelier, VT 05602-1000  
 STATE OF VERMONT AGENCY OF TRANSPORTATION  
 COUNTY OF ADDISON  
 TOWN OF MIDDLEBURY  
 HIGHWAY PROJECT NO. 2017-001  
 BRIDGE NO. 2 PROJECT NO. 2017-001  
 DATE: JUNE 27, 2017  
 SHEET NO. 1 OF 1  
 JOB NO. 2017-001  
 DRAWING NO. M