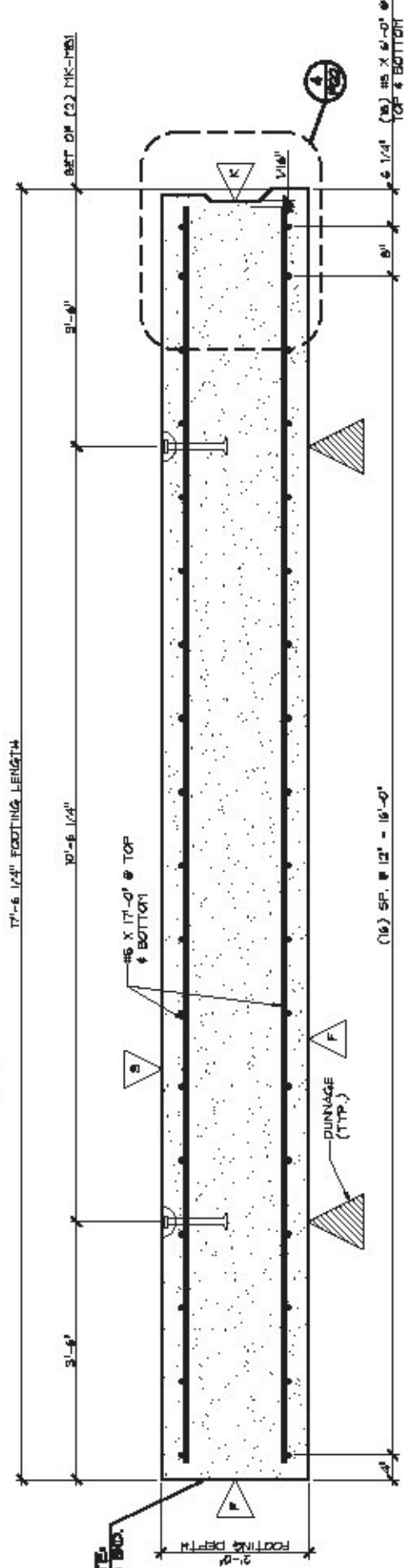
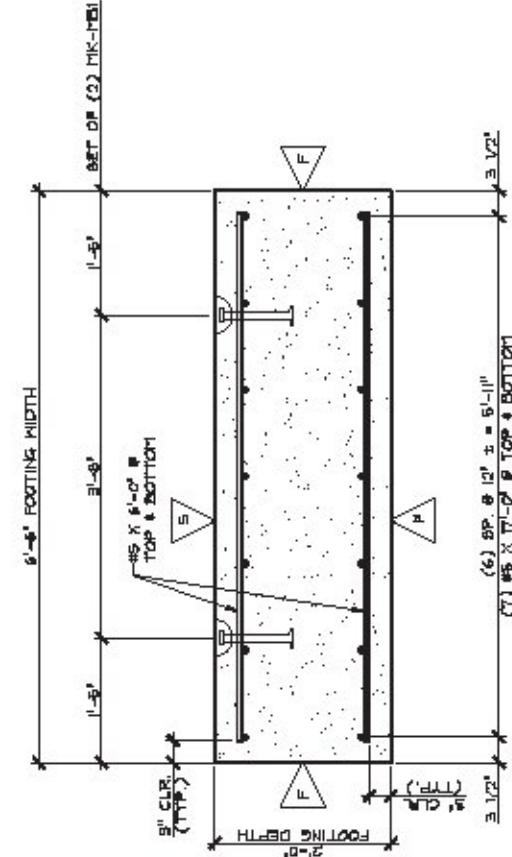


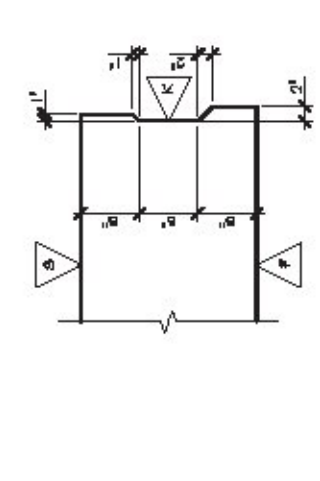
1 PLAN VIEW IN FORM
SCALE: 1/4" = 1'-0"



2 LONGITUDINAL SECTION
SCALE: 1/4" = 1'-0"



3 TRANSVERSE SECTION
SCALE: 3/4" = 1'-0"



4 SHEAR KEY SECTION
SCALE: 3/4" = 1'-0"

NOTE: SEE SHEET MB-FG4 FOR REVISIONS TO THIS DRAWING.

- △ DETECTED REBAR FINISH
- △ DETECTED SMOOTH FLOAT FINISH
- △ DETECTED REBAR FINISH
- △ DETECTED SMOOTH FLOAT FINISH
- △ DETECTED REBAR FINISH
- △ DETECTED SMOOTH FLOAT FINISH

MARK: MB-FG4 QTY: 2 WT: 17.08 T VOL: 9.44 CY

ITEM	MARK	DESCRIPTION	QTY.
1	MB-FG4		2
2	MB-FG4		11
3		17'-0" WIDE DETAIL (LEFT SIDE) (CONCRETE)	4
4			
5			
6			

APPROVAL STAMP

Approved
 J.P. Carrara
 10/27/2017
 DRAWING DATE: 10/27/2017
 CD BY: J.P. Carrara

J.P. CARRARA & SONS INC.
 Precast & Prestress Manufacturing
 1000 S. 10th Street, P.O. Box 1000
 Waukegan, IL 60087

STATE OF VERMONT AGENCY OF TRANSPORTATION
 COUNTY OF ADDISON
 TOWN OF HIDDLEBURY
 HIGHWAY PROJECT
 BRIDGE NO. 3 PROJECT

DATE: JUNE 21, 2017
 SCALE: NOTED
 SHEET NO.: 2584-07
 OF NO. 63

PRECAST FOOTING DETAILS