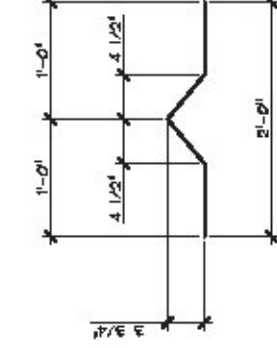
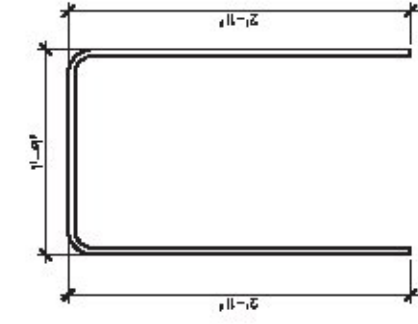


PRECAST WINGWALLS



PRECAST WINGWALLS



PRECAST BACKWALLS

MISCELLANEOUS MATERIALS		
ITEM	QUANTITY	DESCRIPTION
1	20	16' x 8'-0" BLACK STEEL
2	20	16' x 8'-0" BLACK STEEL
3	20	16' x 8'-0" BLACK STEEL
4	20	16' x 8'-0" BLACK STEEL
5	10	17' x 8' 8" DAVTON BRKT LIFT (CONCRETE)
6	10	16' x 8'-0" BLACK STEEL FOR BRKT'S
7	10	16' x 8'-0" BLACK STEEL
8	10	16' x 8'-0" BLACK STEEL
9	10	16' x 8'-0" BLACK STEEL
10	10	16' x 8'-0" BLACK STEEL
11	10	16' x 8'-0" BLACK STEEL
12	10	16' x 8'-0" BLACK STEEL
13	10	16' x 8'-0" BLACK STEEL
14	10	16' x 8'-0" BLACK STEEL
15	10	16' x 8'-0" BLACK STEEL
16	10	16' x 8'-0" BLACK STEEL
17	10	16' x 8'-0" BLACK STEEL
18	10	16' x 8'-0" BLACK STEEL
19	10	16' x 8'-0" BLACK STEEL
20	10	16' x 8'-0" BLACK STEEL
21	10	16' x 8'-0" BLACK STEEL
22	10	16' x 8'-0" BLACK STEEL
23	10	16' x 8'-0" BLACK STEEL
24	10	16' x 8'-0" BLACK STEEL
25	10	16' x 8'-0" BLACK STEEL

APPROVAL STAMP:

J.P. CARRARA & SONS INC.
 Precast & Prestress Manufacturing
 1000 S. 10th Street, Independence, Missouri 64050-4000

STATE OF VERMONT AGENCY OF TRANSPORTATION
 COUNTY OF ADDISON

TOWN OF MIDDLEBURY
 PROJECT NO. 2584-07

DATE: MAY 25, 2017
 SCALE: 1/8" = 1'-0"
 JOB NO. 2584-07

MATERIALS LIST

DRW. NO. **M1**