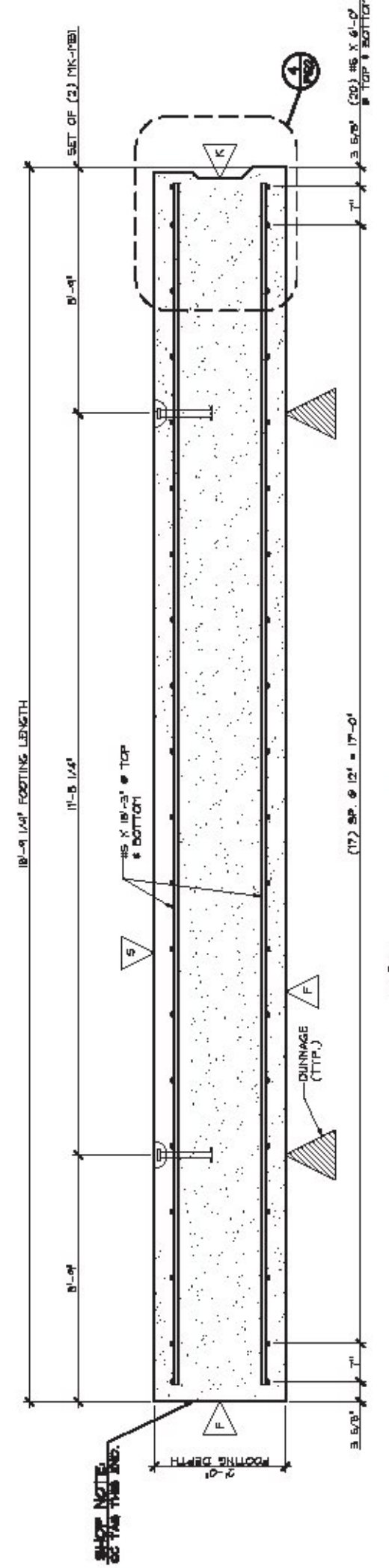
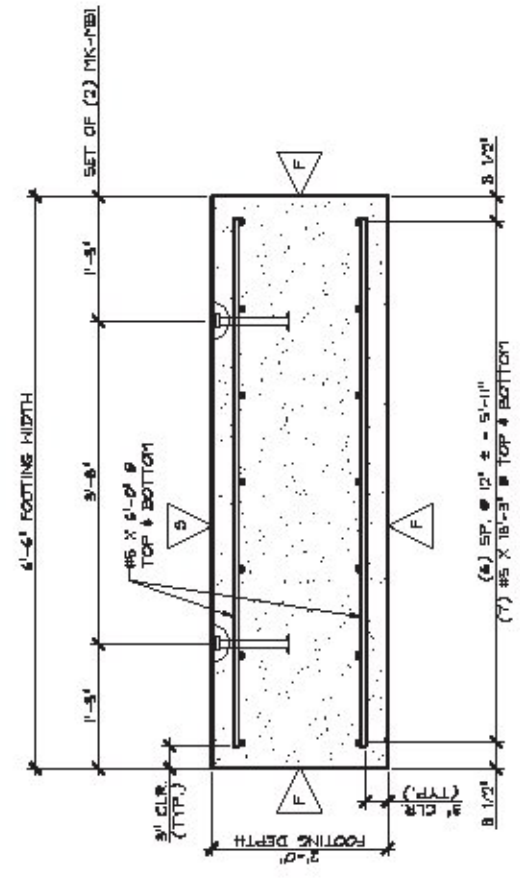


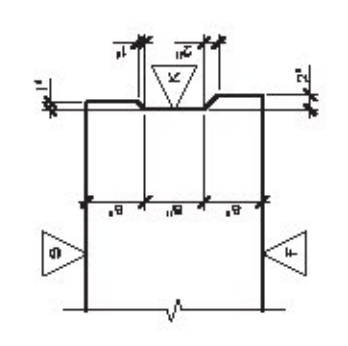
1 PLAN VIEW IN FORM
SCALE: 1/4" = 1'-0"



2 LONGITUDINAL SECTION
SCALE: 3/8" = 1'-0"



3 TRANSVERSE SECTION
SCALE: 3/8" = 1'-0"



4 SHEAR KEY SECTION
SCALE: 3/8" = 1'-0"

MARK: MB-FG3 QTY: 6 WT: 18,50 T VOL: 9.04 cy

ITEM	MAOR	DESCRIPTION	QTY
1	MB-FG3	PRECAST CONCRETE FOOTING	6
2	MB-FG3	PRECAST CONCRETE FOOTING	6
3	MB-FG3	PRECAST CONCRETE FOOTING	6
4	MB-FG3	PRECAST CONCRETE FOOTING	6
5	MB-FG3	PRECAST CONCRETE FOOTING	6

- SEE NOTE: VERIFY THE LENGTH OF THESE BARS.
- △ DIRECTS TOY FINISH
 - △ DIRECTS WEAPTH FLANT FINISH
 - △ DIRECTS WEAPTH FINISH (SEE FOOTING SECTION FOR WEAPTH FINISH)

Please verify the quantity, 4?

APPROVAL STAMP:

J.P. CARRARA & SONS INC. KURBECKY CONSTRUCTION CORPORATION
 Precast & Prestress Manufacturing
 1000 S. 10th Street, Suite 100, Lincoln, NE 68502

STATE OF VERMONT AGENCY OF TRANSPORTATION
 COUNTY OF ADDISON

DATE: MAY 22, 2017
 SCALE: NOTED

DESIGNED BY: J.P. CARRARA
 CHECKED BY: J.P. CARRARA
 PROJECT NO.: 2014-07

OWN. NO. FG2