

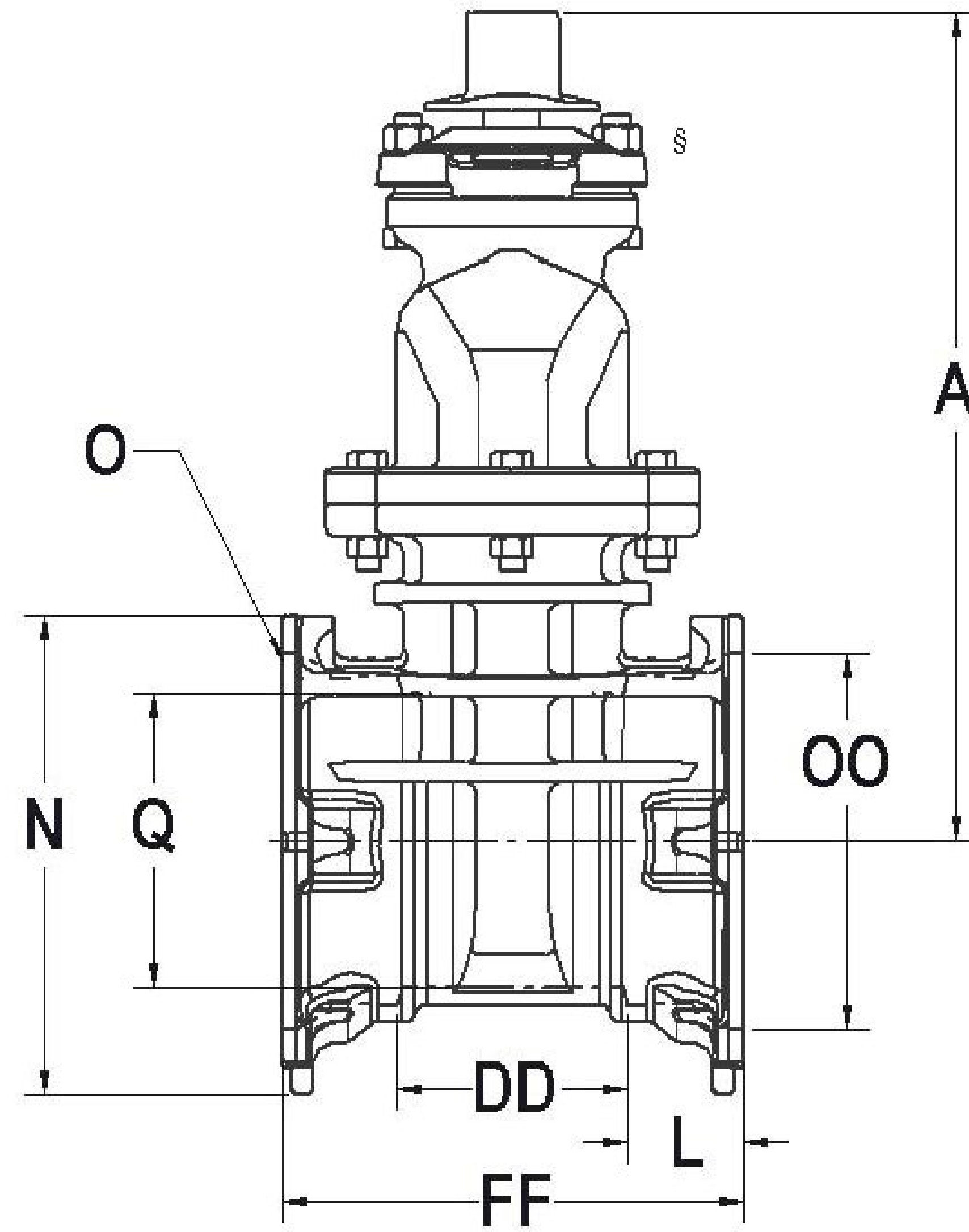
**3"- 12" A-2361 RESILIENT WEDGE
GATE VALVES - M.J. x M.J.**



10.5

Page Inserted by VHB

Shaded area indicates change Rev. 2-17



Dimensions

Dimension	Nominal Size					
	3"	4"	6"	8"	10"	12"
A	12.38	14.19	18.00	21.50	25.50	28.62
FF	9.62	9.50	10.00	10.50	11.50	12.00
L	2.50	2.50	2.50	2.50	2.50	2.50
N	7.50	8.40	10.41	12.68	15.24	18.024
O (number and size of holes)	4-- 88	4-- 88	6-- 88	6-- 88	8-- 88	8-- 88
DD	4.62	4.50	5.00	5.50	6.50	7.00
Q	3.30	4.30	6.30	8.30	10.30	12.30
OO (bolt circle diameter)	6.19	7.50	9.50	11.75	14.00	16.25
Turns to open	11	14	20.5	26.5	33.0	38.5
Weight*	83	70	112	162	238	303

*All dimensions are in inches. All weights include accessories are in pounds and are approximate.