

Rev. 5-17 Shaded area indicates changes

- Catalog number
 - A-2361-20** Mechanical joint ends (with accessories unassembled)
 - A-2361-23** Mechanical joint ends (less accessories)
 - A-2361-25** Mechanical joint ends (with transition gaskets accessories unassembled)
- Sizes – 3", 4", 6", 8", 10", **12"**
- Meets or exceeds all applicable requirements of ANSI/AWWA C515*** Standard, UL 262 Listed, FM 1120/1130 Approved, and certified to ANSI/NSF 61 & 372
- Standard mechanical joint ends comply with ANSI/AWWA C111
- Iron body with nominal 10 mils MUELLER® Pro-Gard® Fusion Bonded Epoxy Coated interior and exterior surfaces
- Epoxy coating meets or exceeds all applicable requirements of ANSI/AWWA C550 Standard
- Iron wedge, symmetrical and fully encapsulated with molded rubber; no exposed iron
- Non-rising stem (NRS)
- Triple O-ring seal (2 above the thrust collar and 1 below)
- 2" square wrench nut - open left or open right
- 350 psig (2400 kPa/24 barg) maximum working pressure; 700 psig (4800 kPa/48 barg) static test pressure
- UL Listed, FM Approved: 350 psig (2400 kPa/24 barg)
- Mueller valves are designed for potable water applications

open left
2" square
black Op nut



A-2361-20 shown

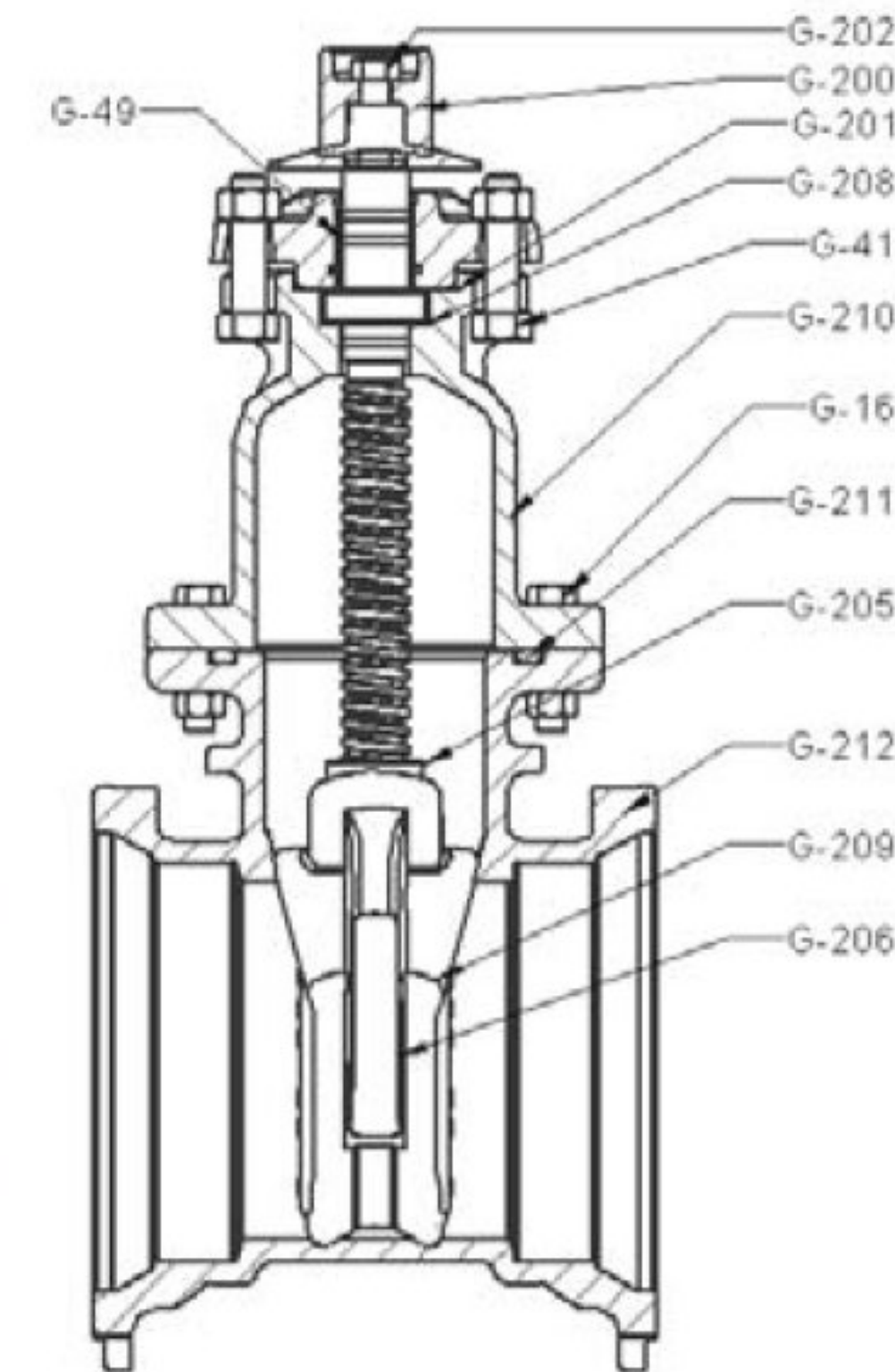
Options

See page 10.54 for more information on Resilient Wedge Gate Valve options

- Position indicators
- Stainless steel stem: Type 304, Type 316
- EPDM Disc and o-rings
- ASTM B98-C66100/H02 stem
- Handwheel

Resilient wedge gate valve parts

Catalog Part Number	Description	Material	Material Standard
G-16	Bonnet Bolts & Nuts	316 Stainless Steel	ASTM F593 (bolt) ASTM F594 (nut)
G-41	Stuffing Box Bolts & Nuts	316 Stainless Steel	ASTM F593 (bolt) ASTM F594 (nut)
G-49	Stem O-rings (3)	Nitrile	ASTM D2000
G-200	Wrench Nut Cap Screw	316 Stainless Steel	ASTM F593
G-201	Stuffing Box O-ring	Nitrile	ASTM D2000
G-202	Wrench Nut	Ductile Iron	ASTM A536 ▼
G-203	Stem	Bronze	ASTM B138
G-204	Hand Wheel (not shown)	Cast Iron +	ASTM A126 CL.B
G-205	Stem Nut	Bronze	ASTM B584
G-206	Guide Cap Bearings	Acetal	-
G-207	Stuffing Box with dirt seal ++	Ductile Iron** Nitrile	ASTM A536 ▼ ASTM D2000
G-208	Anti-friction Washers (2)	Acetal	-
G-209	Wedge, Rubber Encapsulation	Ductile Iron* SBR	ASTM A536 ▼ ASTM D2000
G-210	Bonnet	Ductile Iron	ASTM A536 ▼
G-211	Bonnet O-ring +++	Nitrile	ASTM D2000
G-212	Body	Ductile Iron	ASTM A536 ▼



++ Dirt seal on 4"-12" valves
 +++ 3" valves use a bonnet gasket
 *Fully encapsulated in molded rubber with no iron exposed; 3" discs are cast iron ASTM A126 Class B
 ▼ Material strength ASTM A536 65-45 minimum
 + Manufacturer's option to change material to ductile iron ASTM A536
 ** 3" stuffing boxes are cast iron ASTM A126 class B+
 *** 3" valves meet or exceed all applicable requirements of ANSI/AWWA C509 Standard

SEE PAGE 10.57 FOR ORDERING INSTRUCTIONS