

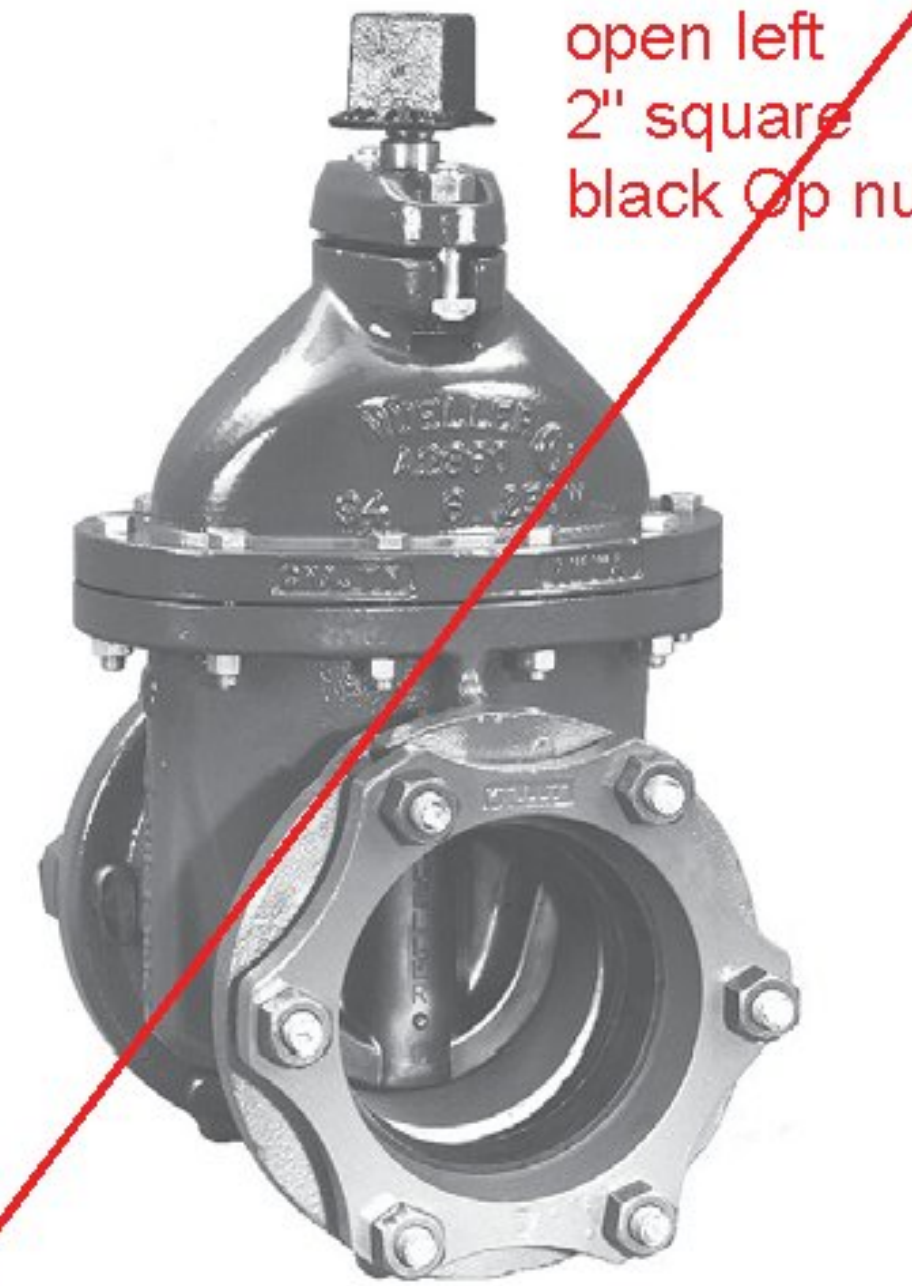
10.14

2"-12" A-2360 RESILIENT WEDGE GATE VALVES - M.J. x M.J.

Rev. 9-09 Shaded area indicates change.

- Catalog number—
 - A-2360-20** Mechanical joint ends (with accessories unassembled)
 - A-2360-23 Mechanical joint ends (less accessories)
 - A-2360-25 Mechanical joint ends (with transition gaskets accessories unassembled)
- Sizes – 2", 3", 4", 6", 8", 10", **12"**
- Meets or exceeds all applicable requirements of ANSI/AWWA C509 Standard, UL Listed, FM Approved, and certified to ANSI/NSF 61.
- Standard mechanical joint ends comply with ANSI/AWWA C111
- Iron body with nominal 10 mils MUELLER® Pro-Gard™ Fusion Epoxy Coated interior and exterior surfaces
- Epoxy coating meets or exceeds all applicable requirements of ANSI/AWWA C550 Standard and is certified to ANSI/NSF 61
- Iron wedge, symmetrical & fully encapsulated with molded rubber; no exposed iron
- Non-rising stem (NRS)
- Triple O-ring seal stuffing box (2 upper & 1 lower O-rings), with fourth O-ring serving as dirt seal††
- 2" square wrench nut (optional handwheel available)—open left or open right
- 250 psig (1723 kPa) maximum working pressure, 500 psig (3447 kPa) static test pressure
- 3"-12" sizes – UL Listed, FM Approved: 200 psig (1379 kPa)

††Dirt seal on 4"-12" valves



A-2360-20 M.J. accessories shipped unassembled

Options

See page 10.40 for more information on Resilient Wedge Gate Valve options

- Position indicators
- Stainless steel fasteners: Type 316
- ASTM B98-C66100/H02 stem
- Handwheel

Resilient wedge gate valve parts

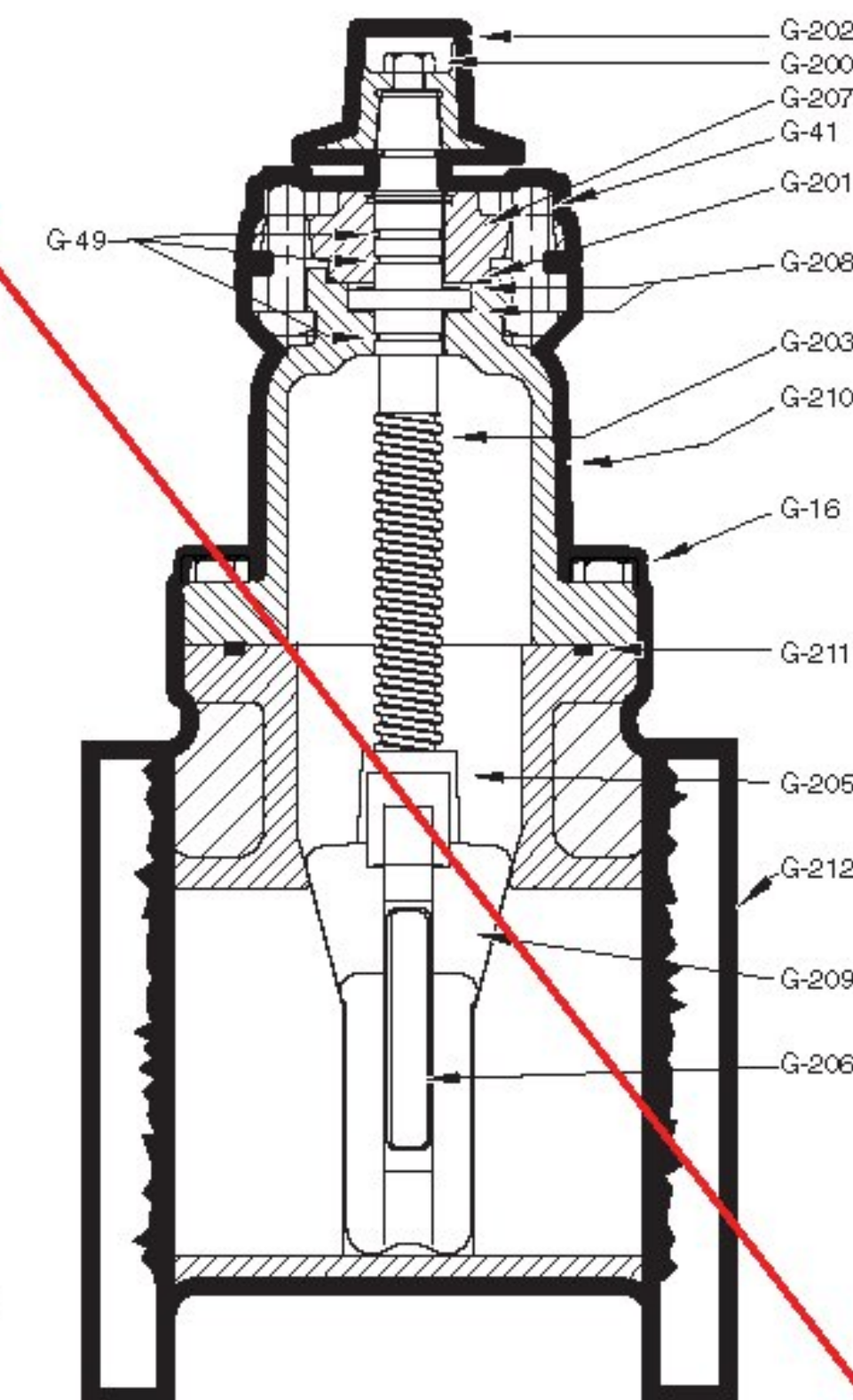
Catalog Part No.	Description	Material	Material Standard
G-16	Bonnet Bolts & Nuts	Stainless Steel	Type 304
G-41	Stuffing Box Bolts & Nuts	Stainless Steel	Type 304
G-49	Stem O-rings (3)	Rubber	
G-200	Wrench Nut Cap Screw	Stainless Steel	Type 304
G-201	Stuffing Box Seal	Rubber	
G-202	Wrench Nut	Cast Iron	ASTM A126 CL.B
G-203	Stem	Bronze	ASTM B138
G-204	Hand Wheel	Cast Iron	ASTM A126 CL.B
G-205	Stem Nut	Bronze	ASTM B62
G-206	Guide Cap Bearings	Celcon	
G-207	Stuffing Box with dirt seal††	Cast Iron, Rubber	ASTM A126 CL.B
G-208	Anti-fiction Washer (2)	Celcon	
G-209	Wedge, Rubber Encapsulation	Cast Iron* Rubber	ASTM A126 CL.B
G-210**	Bonnet	Cast Iron ♦	ASTM A126 CL.B
G-211**	Bonnet O-ring	Nitrite	
G-212**	Body	Cast Iron ♦	ASTM A126 CL.B

* Fully encapsulated in molded rubber with no iron exposed

** Previous to 1999 these parts on 4"-12" valves were designed with a gasket instead of an O-ring and with additional bolts (2"-3" sizes retain neoprene gasket design affecting these parts). Confirm the type of seal when ordering a replacement gasket or O-ring.

††Dirt seal on 4"-12" valves

♦ Body and bonnet of 12" valves are ductile iron standard wall thickness in compliance with C509.



SEE PAGE 10.43 FOR ORDERING INSTRUCTIONS