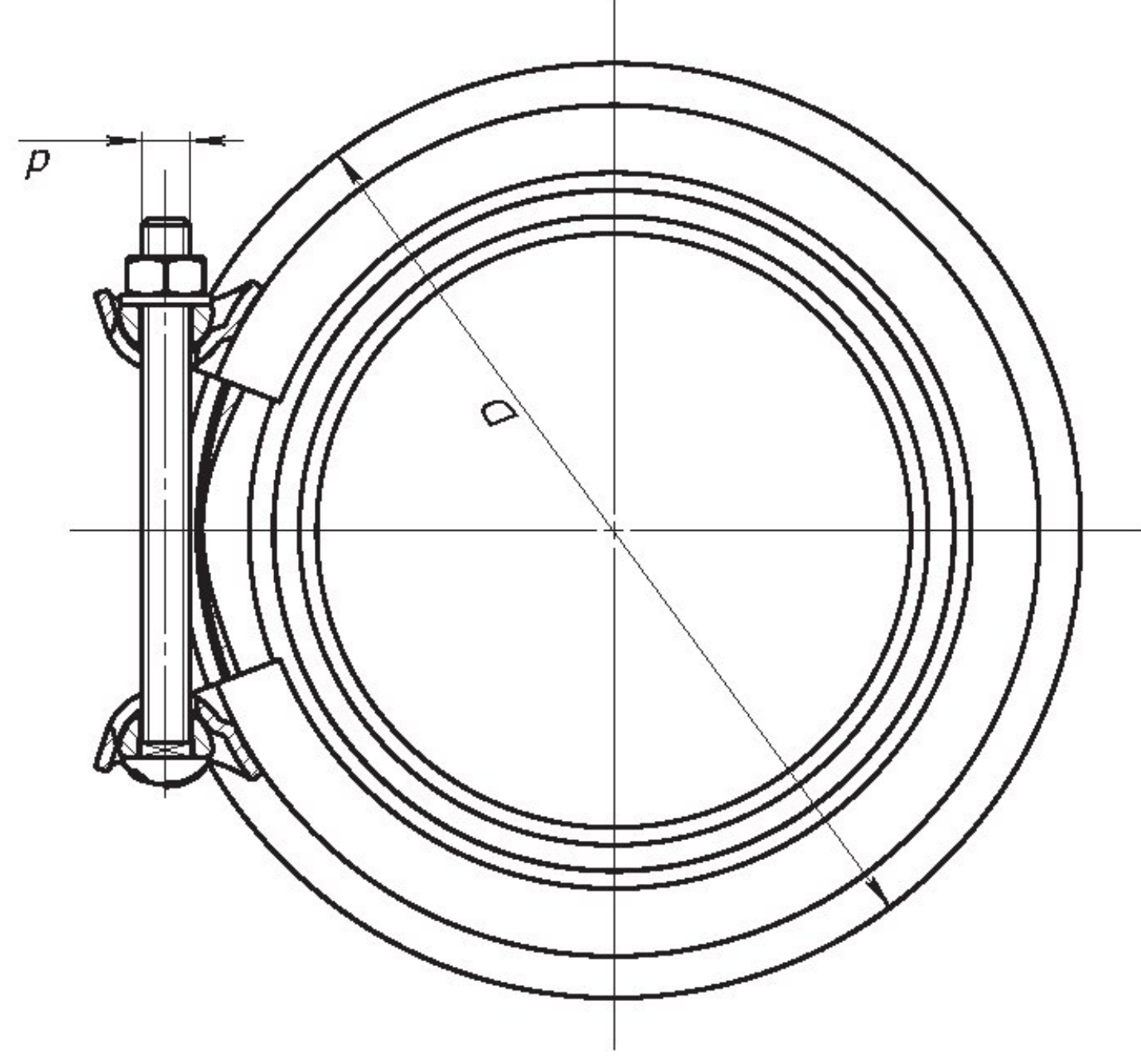
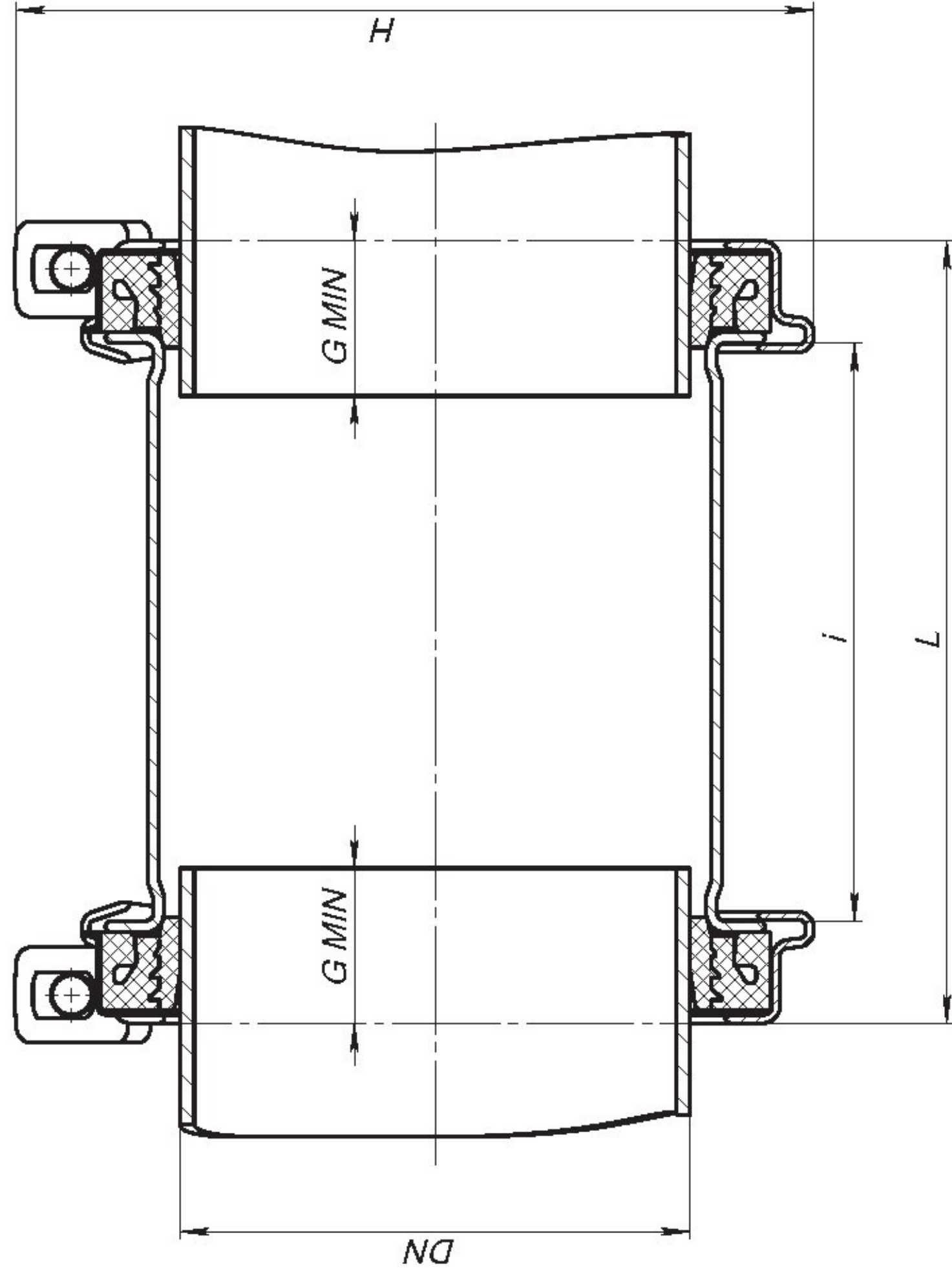



REVISIONS				
REV.	DESCRIPTION	DRAWN	APPROVED	DATE
P	ECO 14000124	Galima E.	Tzah Gr.	30.11.2014



Material: see notes	Weight: see table	Part Name: HYMAX 1.5"-12"		Scale 1:5
		Date 25.04.2013	Name Galima E.	
UNLESS OTHERWISE SPECIFIED: DIMENSIONS IN MILLIMETERS SURFACE FINISH: N7 GENERAL TOLERANCES: LINEAR: 0 - 50 - +0.2 50 - 100 - +0.3 100 - 300 - +1.0 ANGULAR: - +0.5° HOLES: 0 - 10 - +0.2/-0.05 10 - 30 - +0.1/-0.05 HOLES PLACES: - 30.05	Design	Check	Appr.	Sheet
BREAK SHARP EDGES AND CORNERS, DEBURR	 KRAUSZ Confidential Information: All rights reserved to Krausz Industries Ltd. This document may not be copied, reproduced, displayed, modified, or distributed in any form or by any means, without the express prior written consent of Krausz Industries Ltd.	Drawing No. SD860-56-01_015-12		Sheet 1 of 2
		Size A3		