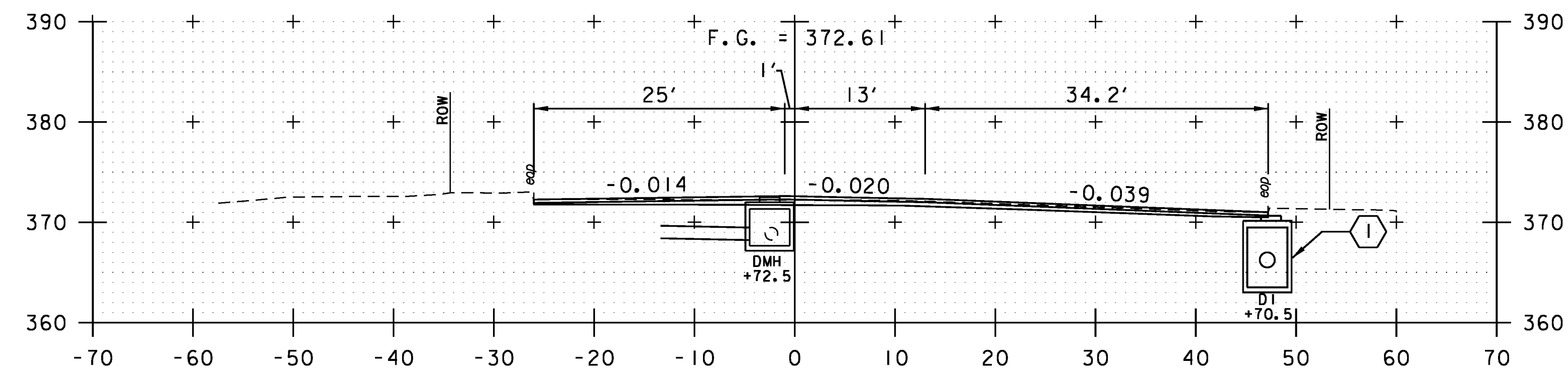
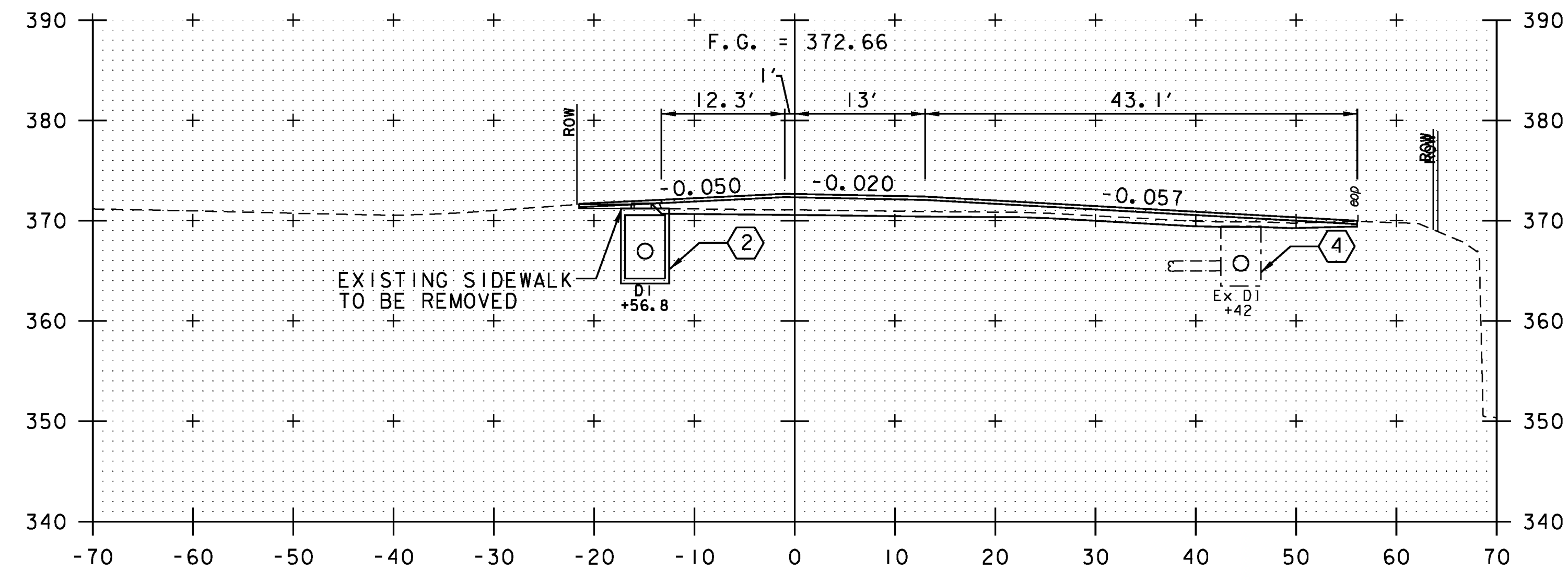


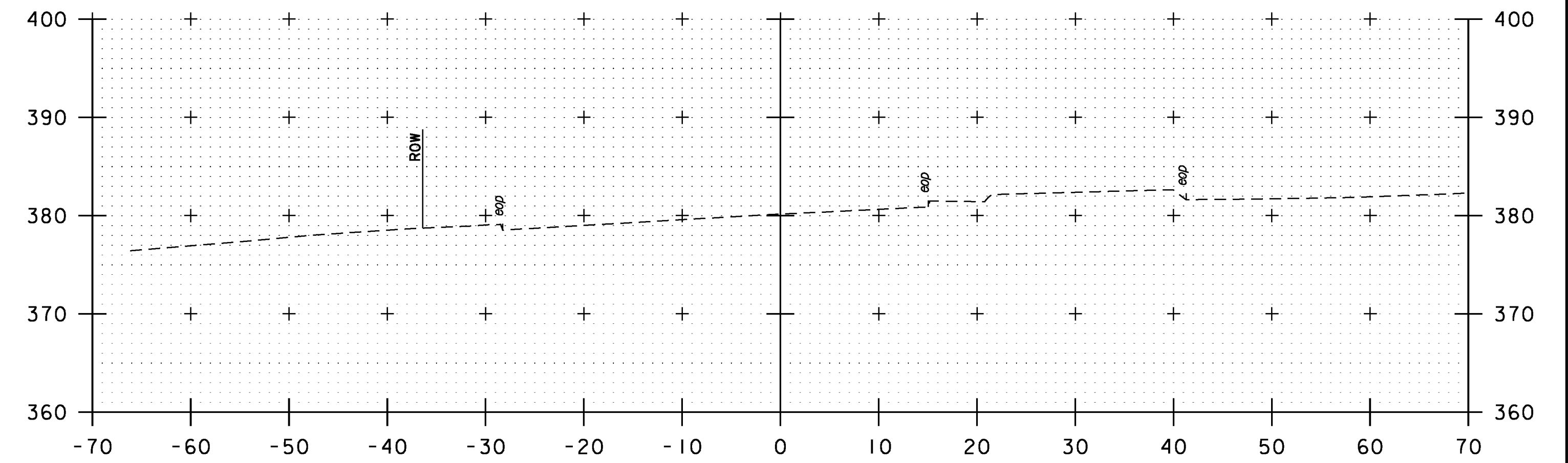
23+00



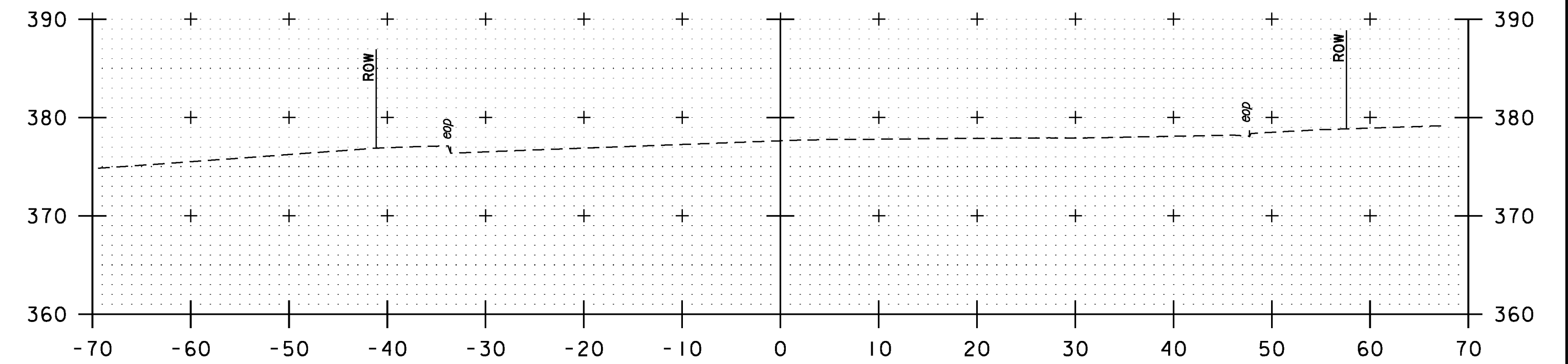
22+75



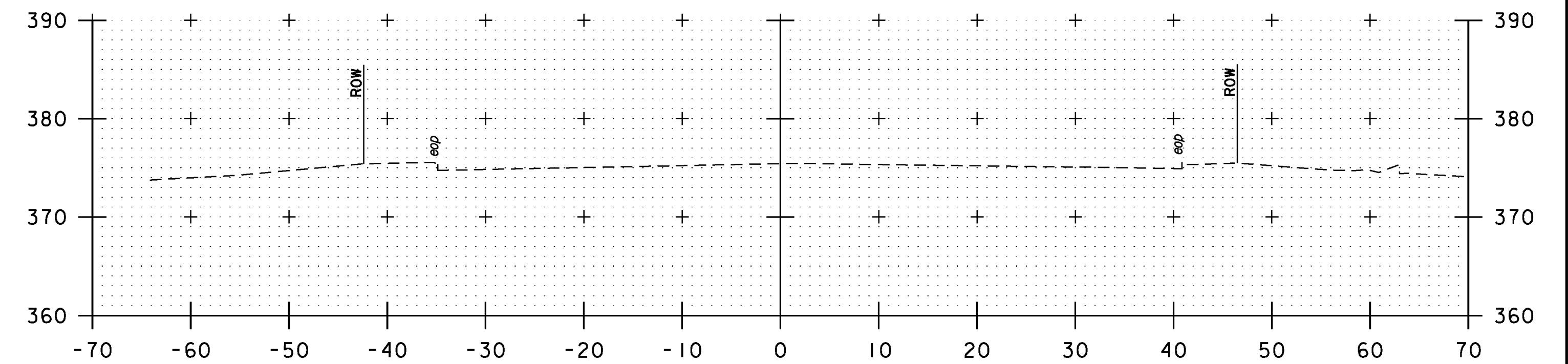
22+50



23+75



23+50



23+25

MERCHANTS ROW

PROJECT NAME:	MIDDLEBURY	PLOT DATE:	5/19/2017
PROJECT NUMBER:	EWP3(I)	DRAWN BY:	D.M. PECK
FILE NAME:	z17b016_MERCHANTS_XS.dgn	CHECKED BY:	E.P. DETRICK
PROJECT LEADER:	A.P. GUYETTE	CROSS SECTIONS (SHEET 7 OF 7)	SHEET 54 OF 54
DESIGNED BY:	D.M. PECK		

