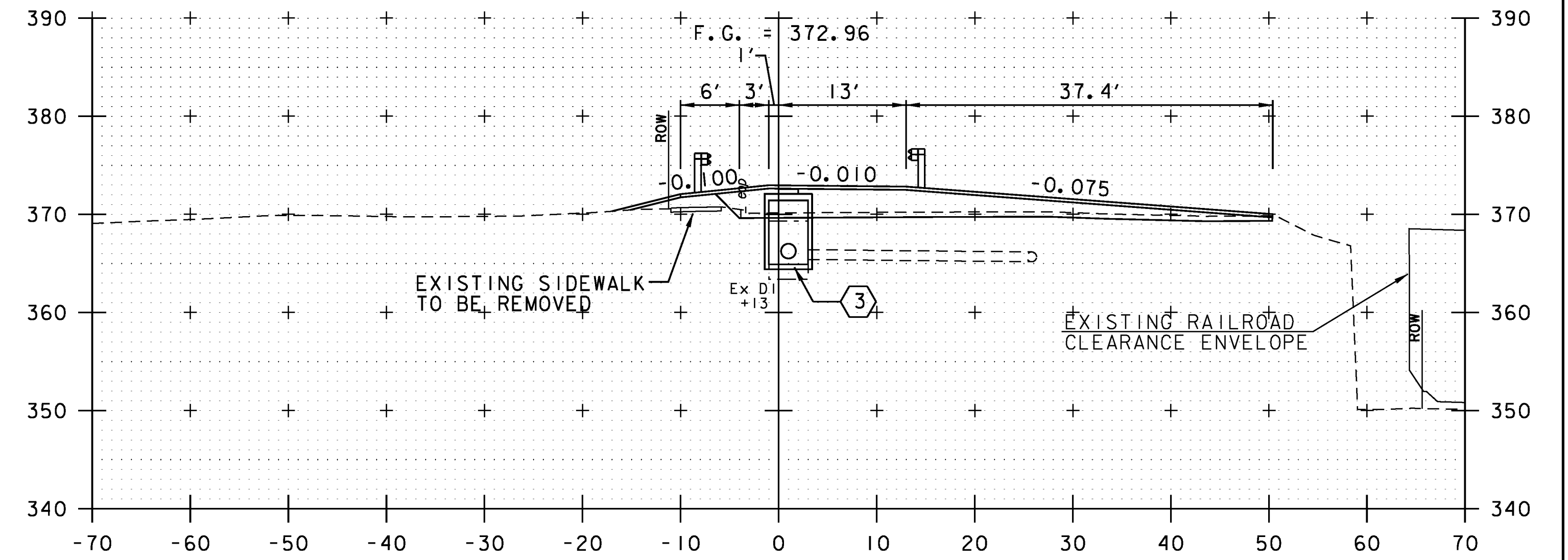
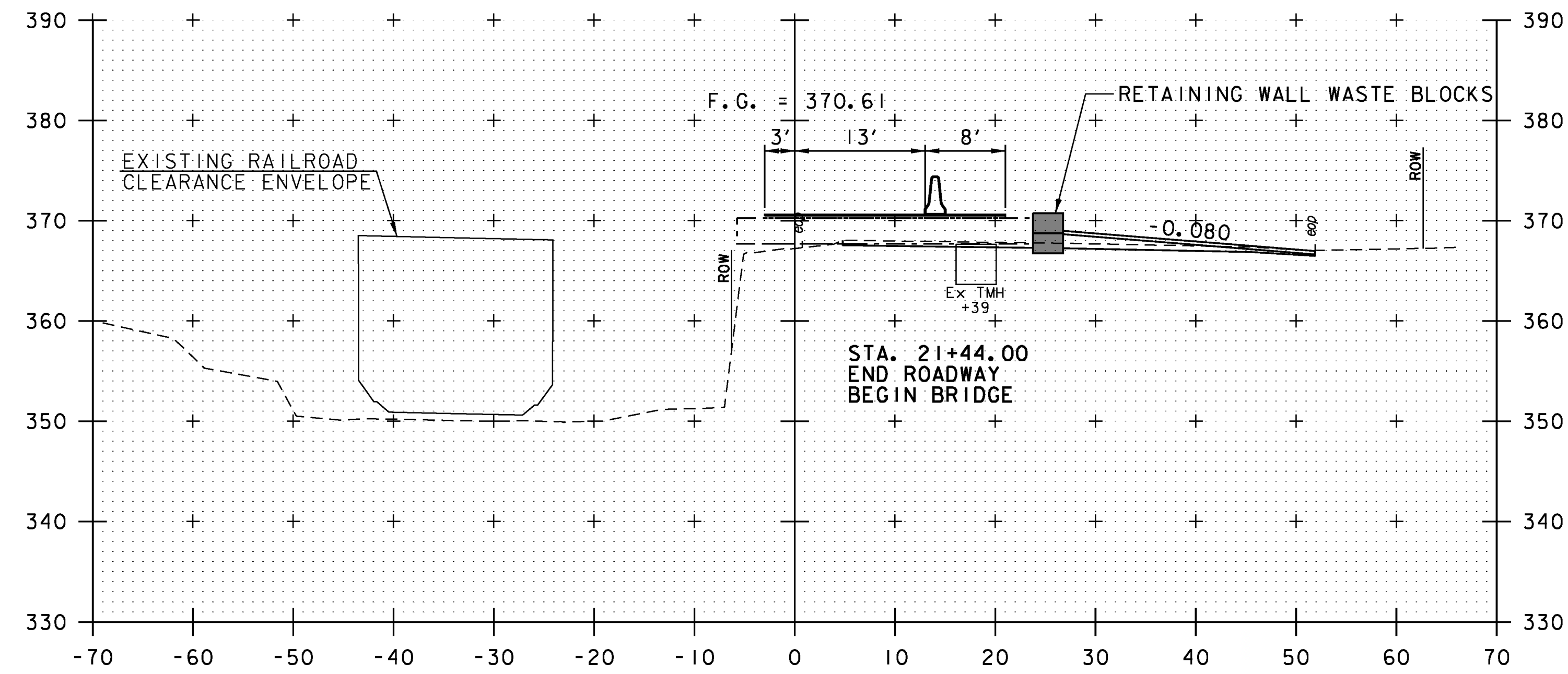


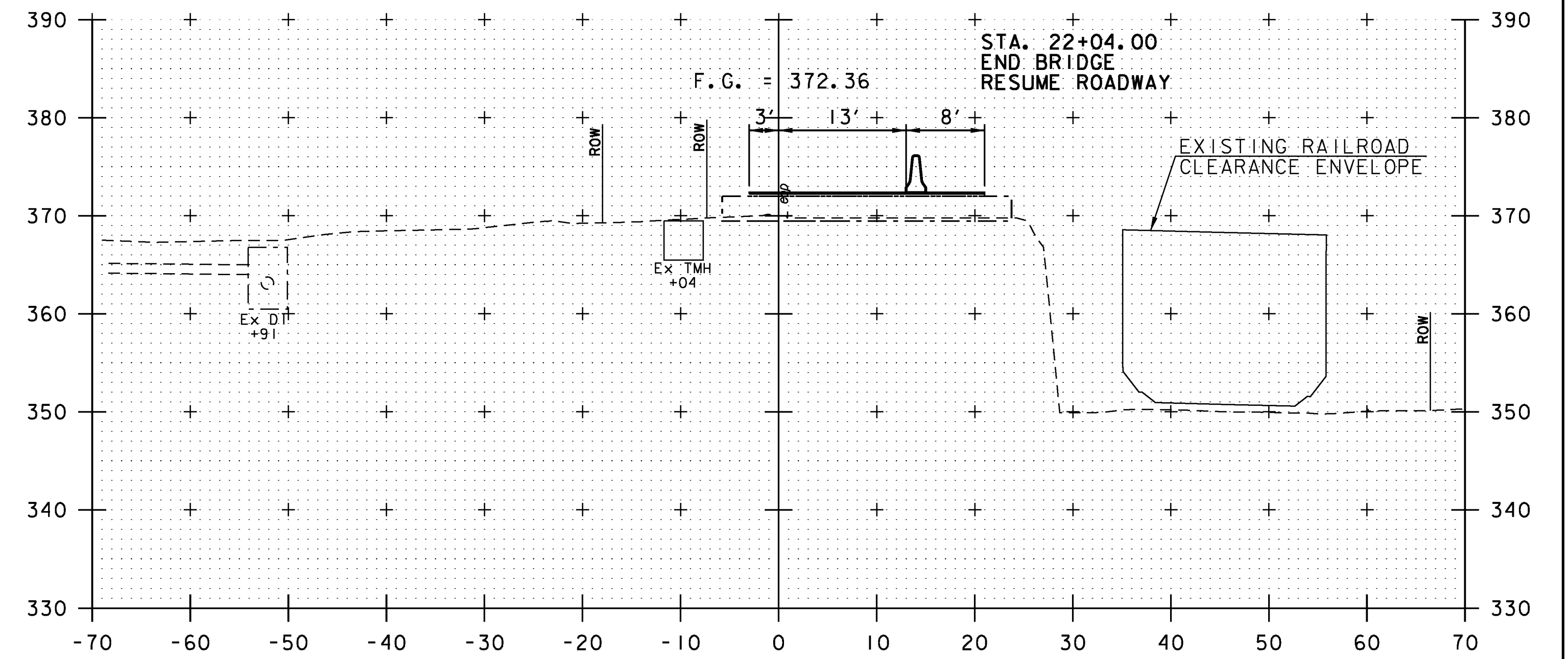
21+75



22+25



21+50



22+00

MERCHANTS ROW

PROJECT NAME:	MIDDLEBURY
PROJECT NUMBER:	EWP3(I)
FILE NAME:	z17b016_MERCHANTS_XS.dgn
DESIGNED BY:	D.M. PECK
CROSS SECTIONS (SHEET 6 OF 7)	
PLOT DATE:	5/19/2017
DRAWN BY:	D.M. PECK
CHECKED BY:	E.P. DETRICK
SHEET	53 OF 54

