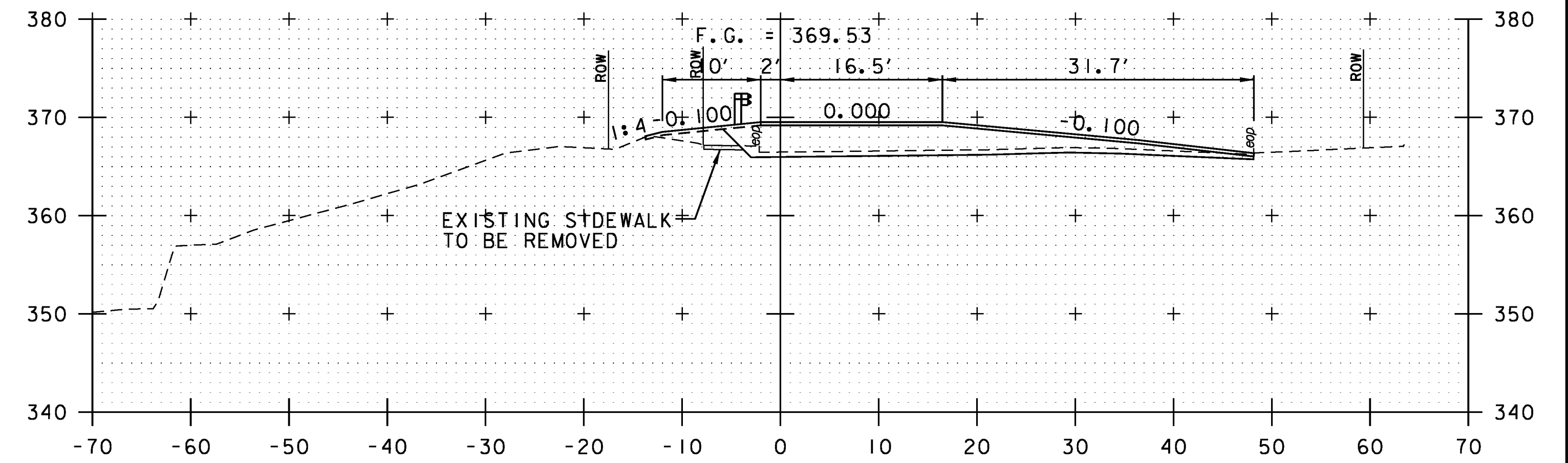
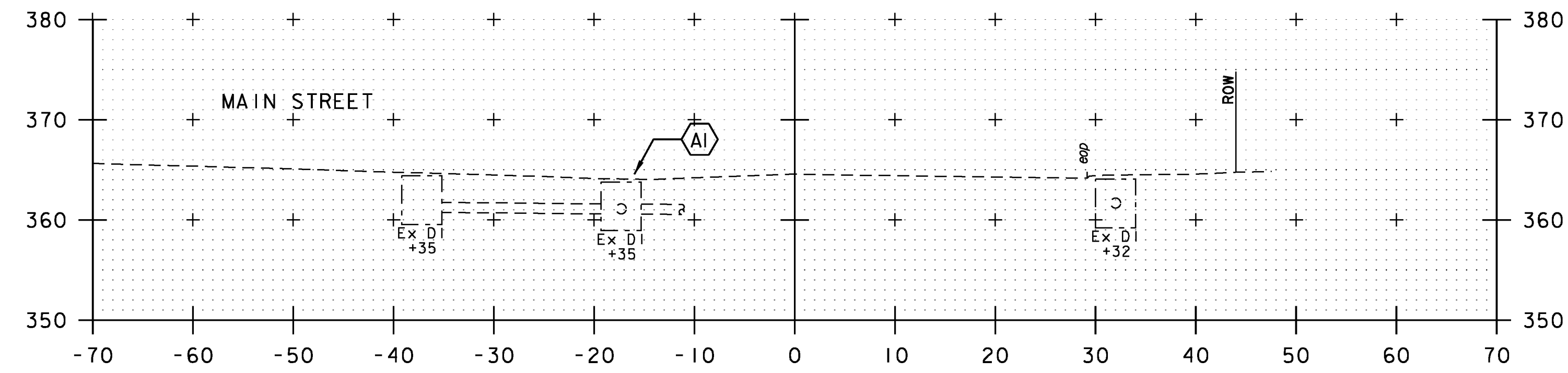


STA. 20+35.00
BEGIN PROJECT

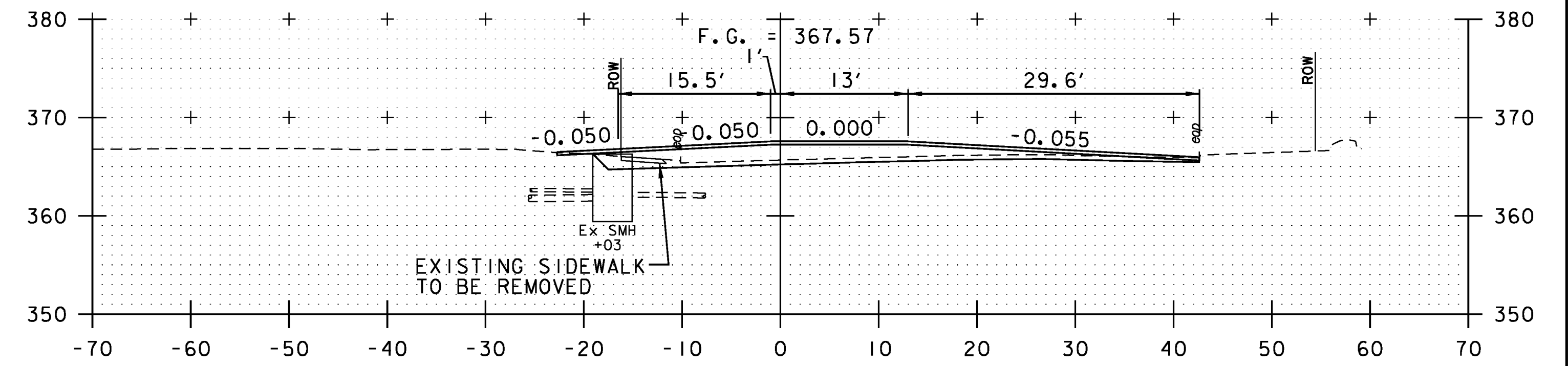
20+50



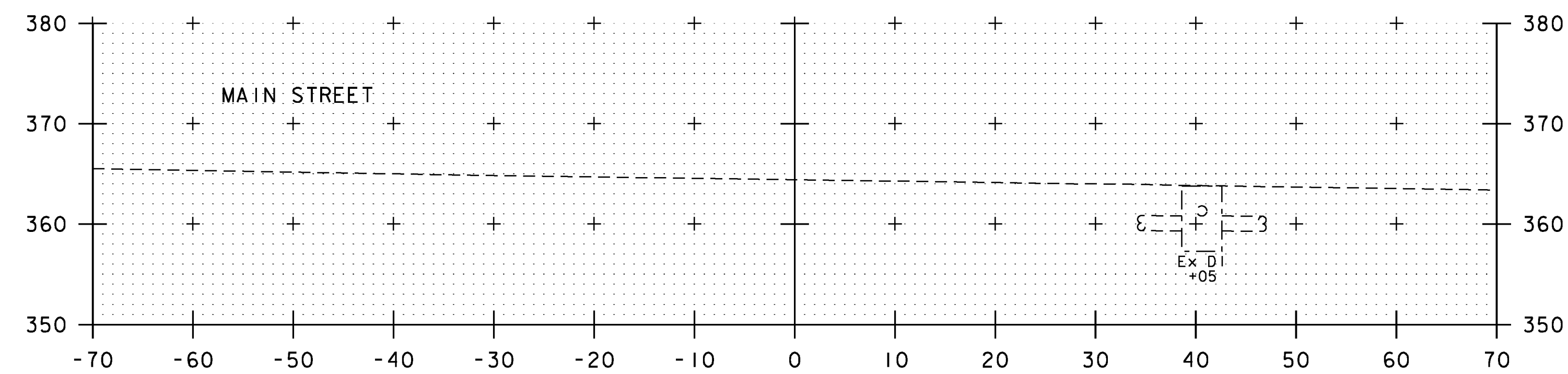
21+25



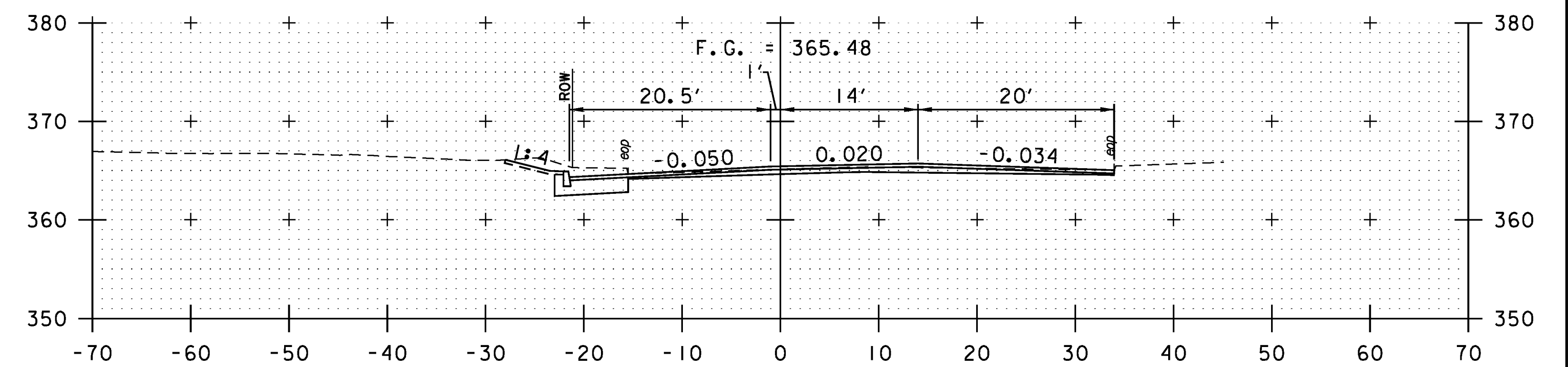
20+25



21+00



20+00



20+75

MERCHANTS ROW

PROJECT NAME:	MIDDLEBURY
PROJECT NUMBER:	EWP3(I)
FILE NAME:	z17b016_MERCHANTS_XS.dgn
PROJECT LEADER:	A.P. GUYETTE
DESIGNED BY:	D.M. PECK
CROSS SECTIONS (SHEET 5 OF 7)	
PLOT DATE:	5/19/2017
DRAWN BY:	D.M. PECK
CHECKED BY:	E.P. DETRICK
	SHEET 52 OF 54

