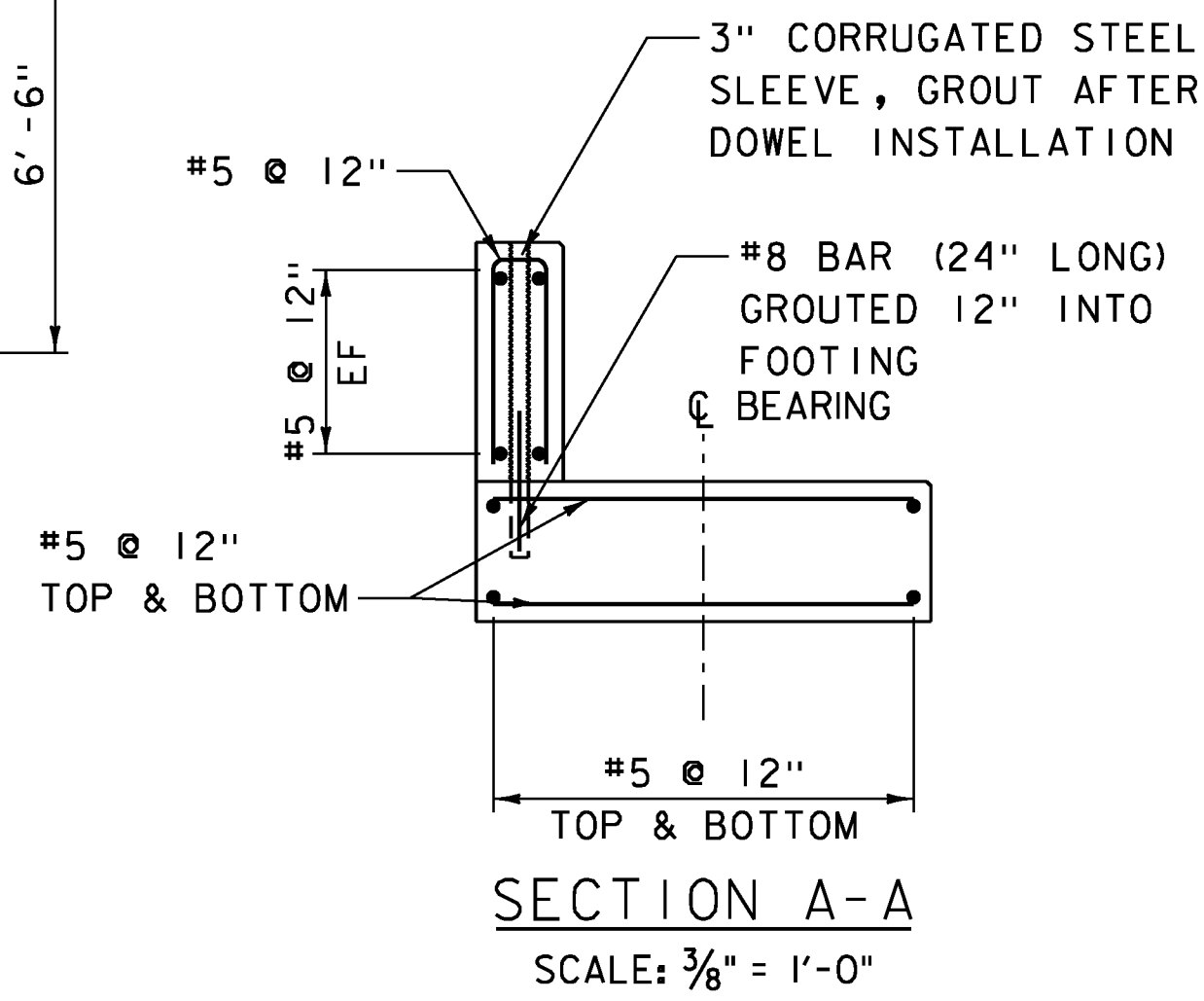


PRECAST CONCRETE FOUNDATION PLAN  
SCALE: 3/8" = 1'-0"



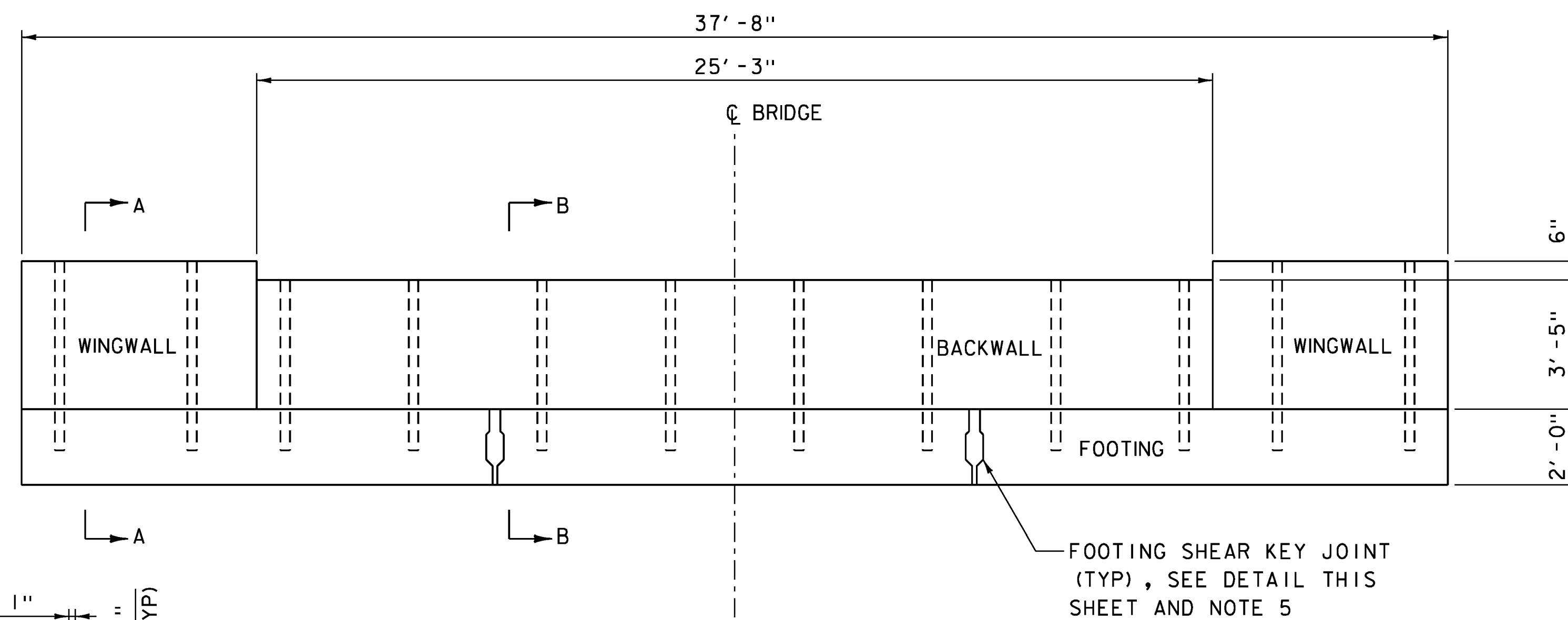
SECTION A-A  
SCALE: 3/8" = 1'-0"

NOTES:

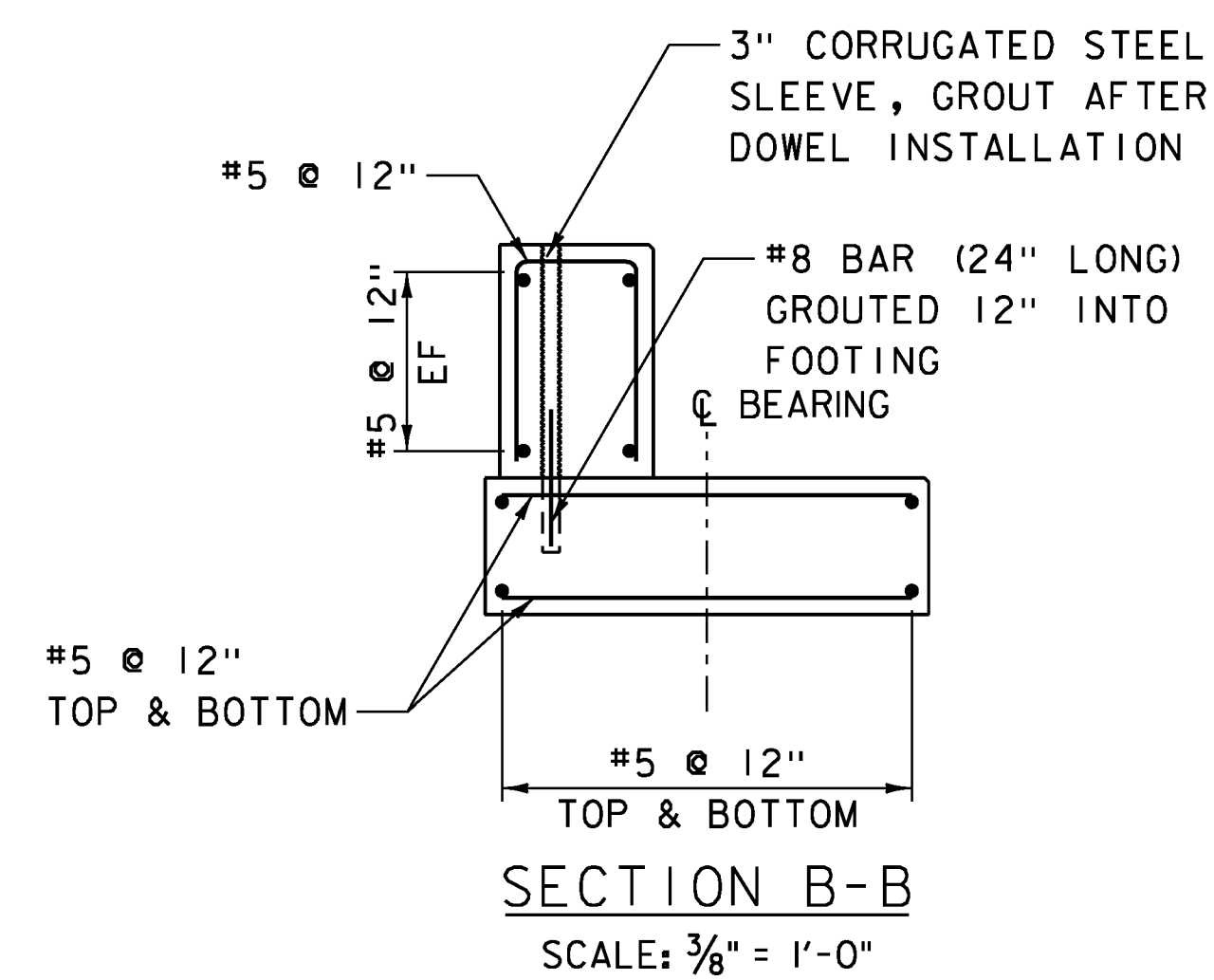
1. THE BRIDGE FOUNDATION MUST BE PLACED ON SUITABLE MATERIAL AS DETERMINED BY THE ENGINEER. IF THE FOUNDATION MATERIAL ENCOUNTERED IS DETERMINED TO BE UNSUITABLE BY THE ENGINEER, THE MATERIAL SHALL BE UNDERCUT 2'-0" AND REPLACED WITH GRANULAR BACKFILL FOR STRUCTURES.
2. THE WINGWALLS SHALL NOT BE INSTALLED UNTIL THE BRIDGE HAS BEEN LAUNCHED AND JACKED DOWN INTO POSITION ON THE BEARINGS.
3. PRECAST CONCRETE LIFTING POINTS AND LIFTING DEVICES SHALL BE DETERMINED BY THE FABRICATOR.
4. THE CONCRETE EDGES OF THE SHEAR KEY SHALL BE TREATED TO PROVIDE A ROUGHENED/EXPOSED AGGREGATE FINISH OF A MINIMUM 1/8" AMPLITUDE. FINISH SHALL BE COMPLETE PRIOR TO ERECTION OF FOOTING PIECES.
5. THE FOOTING SHEAR KEY JOINT MAY ALTERNATELY BE LOCATED AT THE CENTERLINE OF BRIDGE FOR THE FOOTING TO BE IN 2 PIECES. THE NUMBER AND/OR LOCATION OF JOINTS MAY BE ALTERED IN ANOTHER WAY WITH A MAXIMUM OF 2 JOINTS, WHILE MAINTAINING CLEARANCE FROM BEARING LOCATIONS.

EXPANSION GAP TEMPERATURE ADJUSTMENT

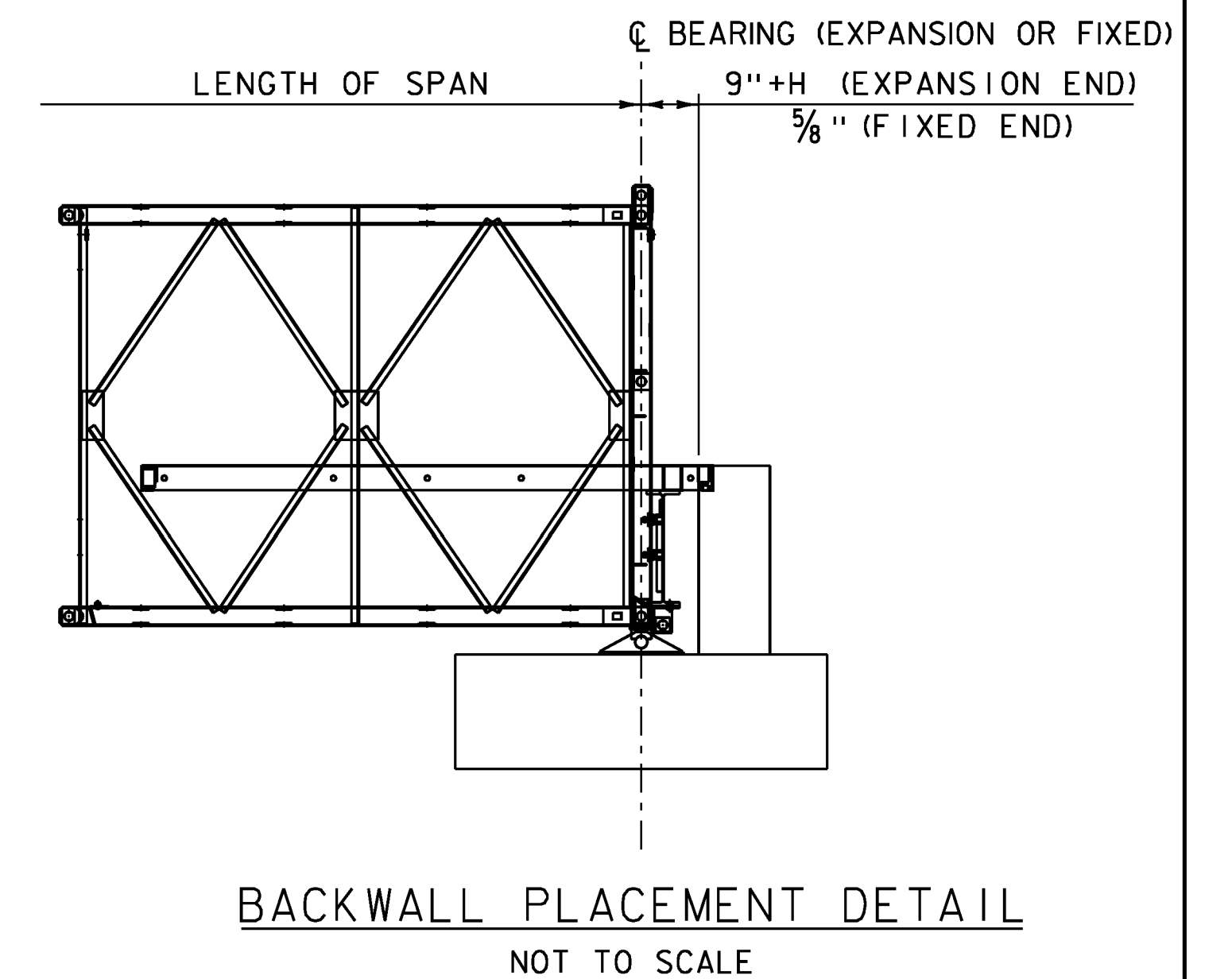
TEMP (°F)	"H" DISTANCE (IN)
0	1 5/8
15	1 1/2
30	1 5/16
45	1 3/16
60	1 1/16
75	5/8
90	3/4
105	5/8



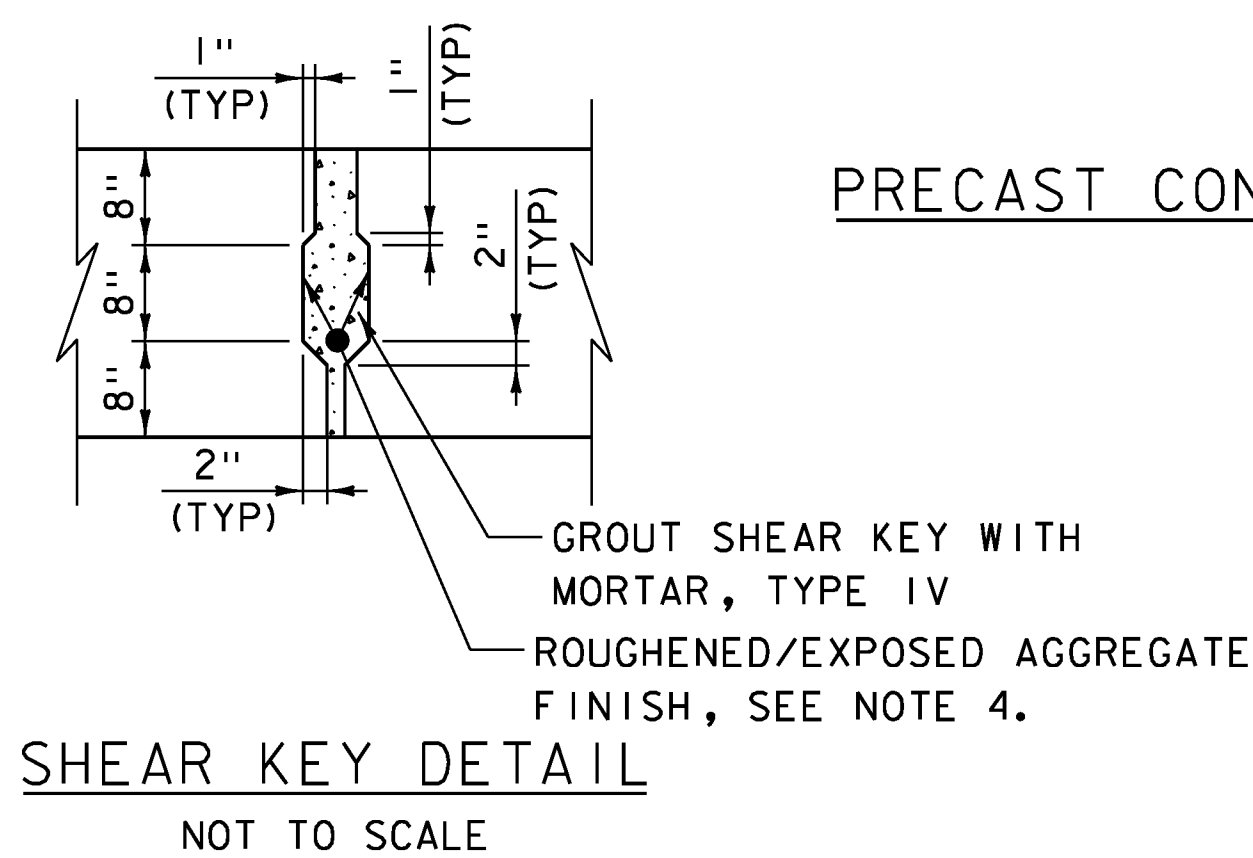
PRECAST CONCRETE FOUNDATION ELEVATION  
SCALE: 3/8" = 1'-0"



SECTION B-B  
SCALE: 3/8" = 1'-0"



BACKWALL PLACEMENT DETAIL  
NOT TO SCALE



SHEAR KEY DETAIL  
NOT TO SCALE

NOTE:

- NF = NEAR FACE
- FF = FAR FACE
- EF = EACH FACE
- ▲ = CUT TO FIT
- 3" CLEAR, UNLESS OTHERWISE SPECIFIED ON THE PLANS.
- 2'-2" BAR LAP UNLESS OTHERWISE SPECIFIED ON THE PLANS.



PROJECT NAME: MIDDLEBURY	PLOT DATE: 5/19/2017
PROJECT NUMBER: EWP3(I)	DRAWN BY: R.H. BARNES
FILE NAME: z17b016_AbutD+1s.dgn	CHECKED BY: S.E. BURBANK
PROJECT LEADER: A.P. GUYETTE	SHEET 12 OF 54
DESIGNED BY: R.H. BARNES	
MABEY BRIDGE FOUNDATION DETAILS	