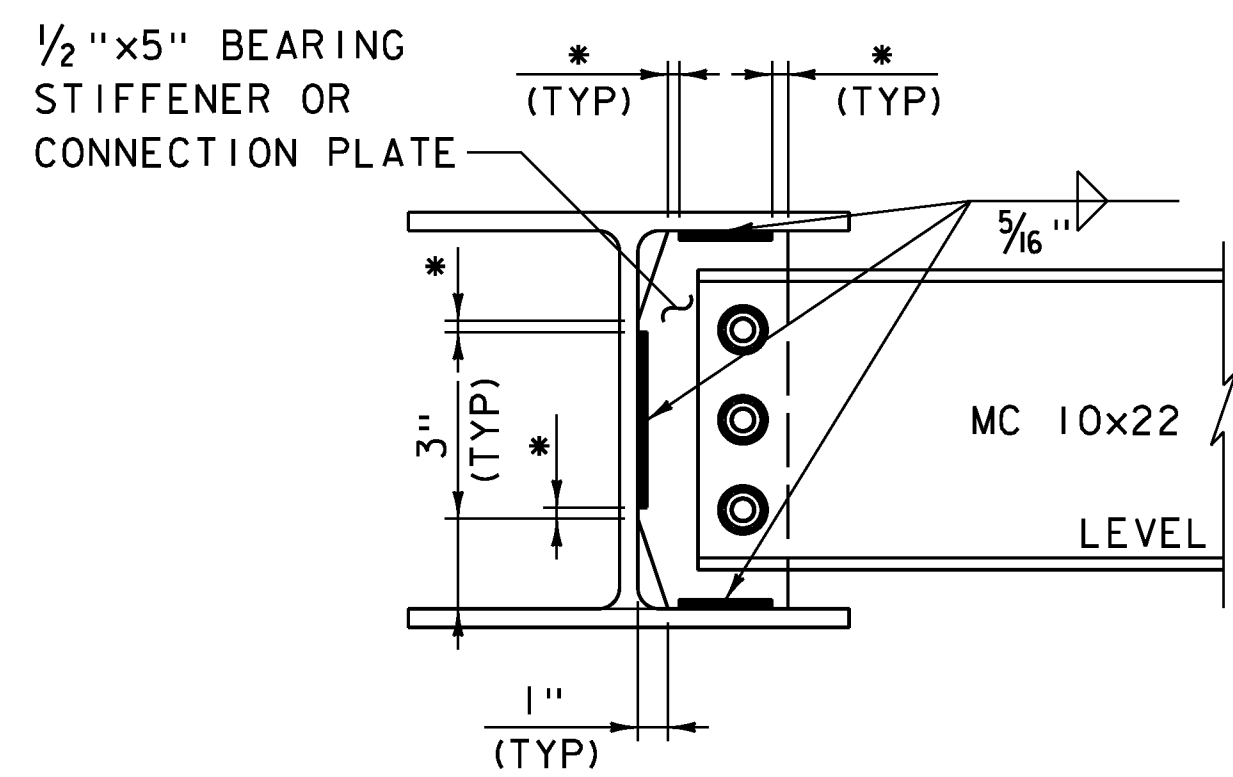
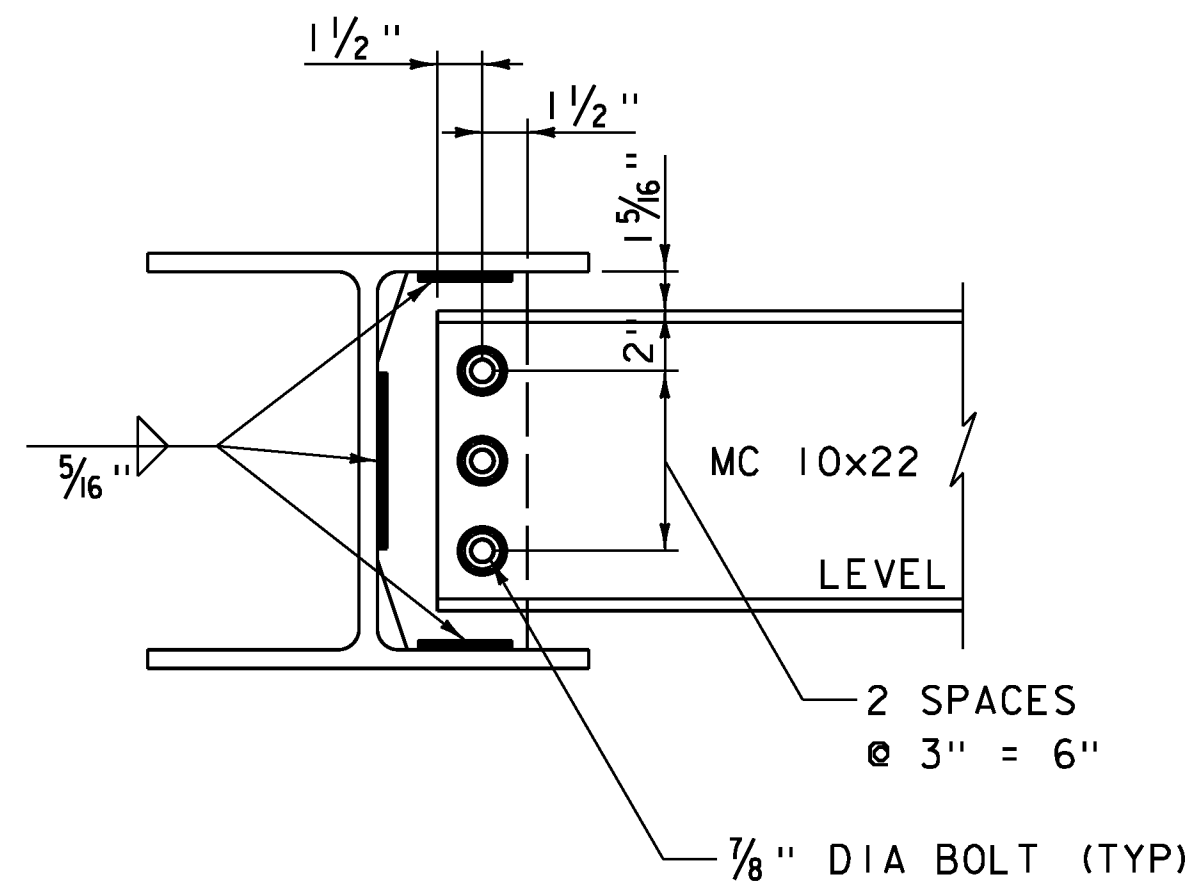


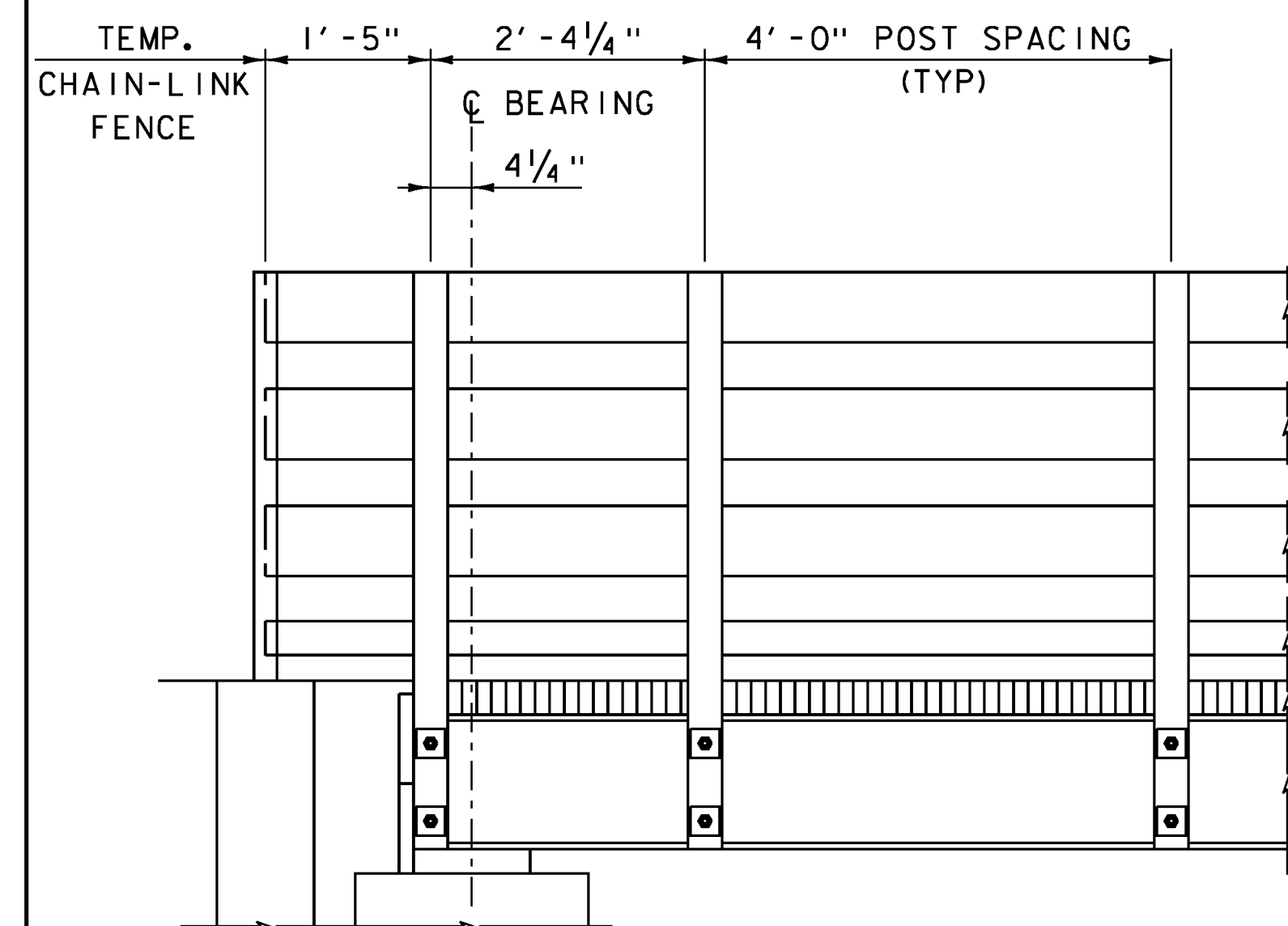
FRAMING PLAN
SCALE: 3/8" = 1'-0"



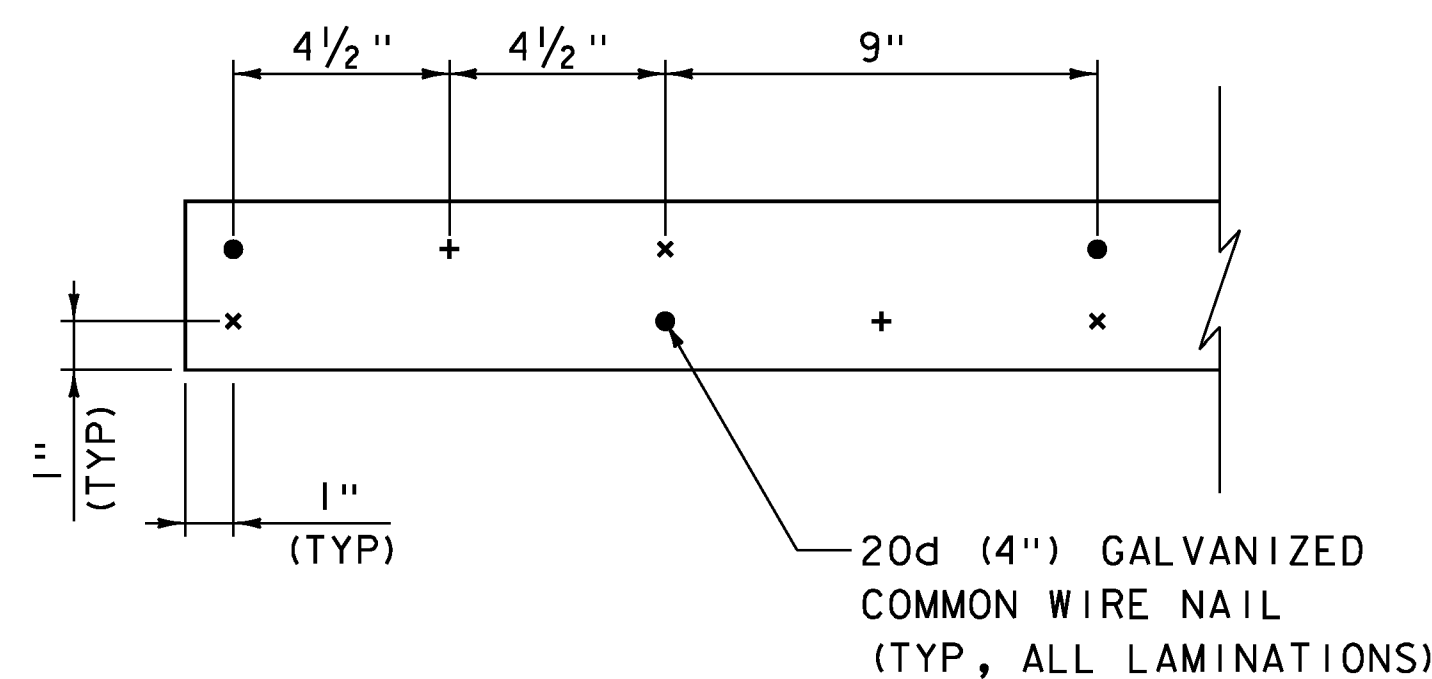
* NO WELD FOR 3/8" MIN, 7/8" MAX
WELD TERMINATION AND COPING DETAIL
NOT TO SCALE



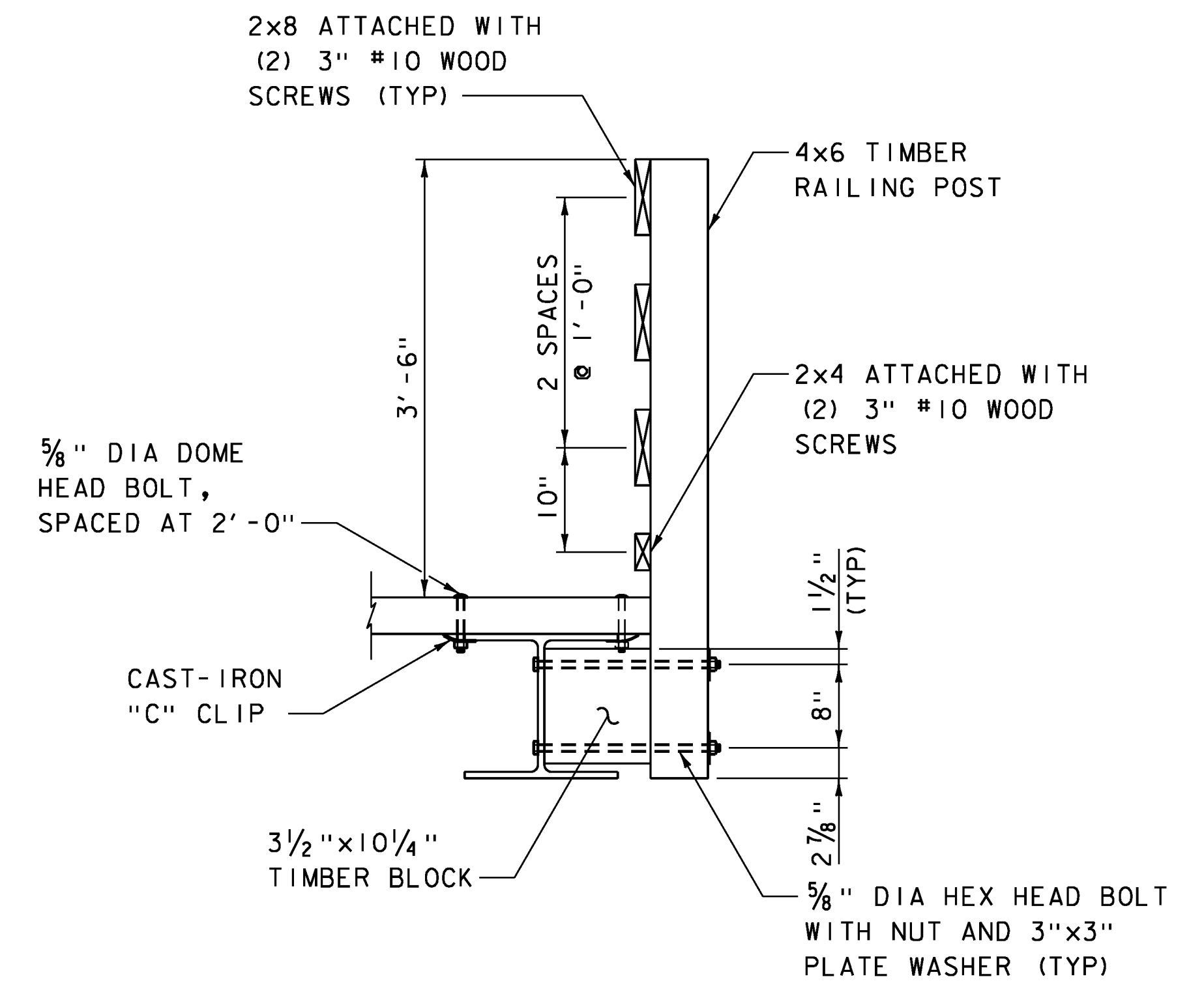
DIAPHRAGM CONNECTION DETAIL
NOT TO SCALE



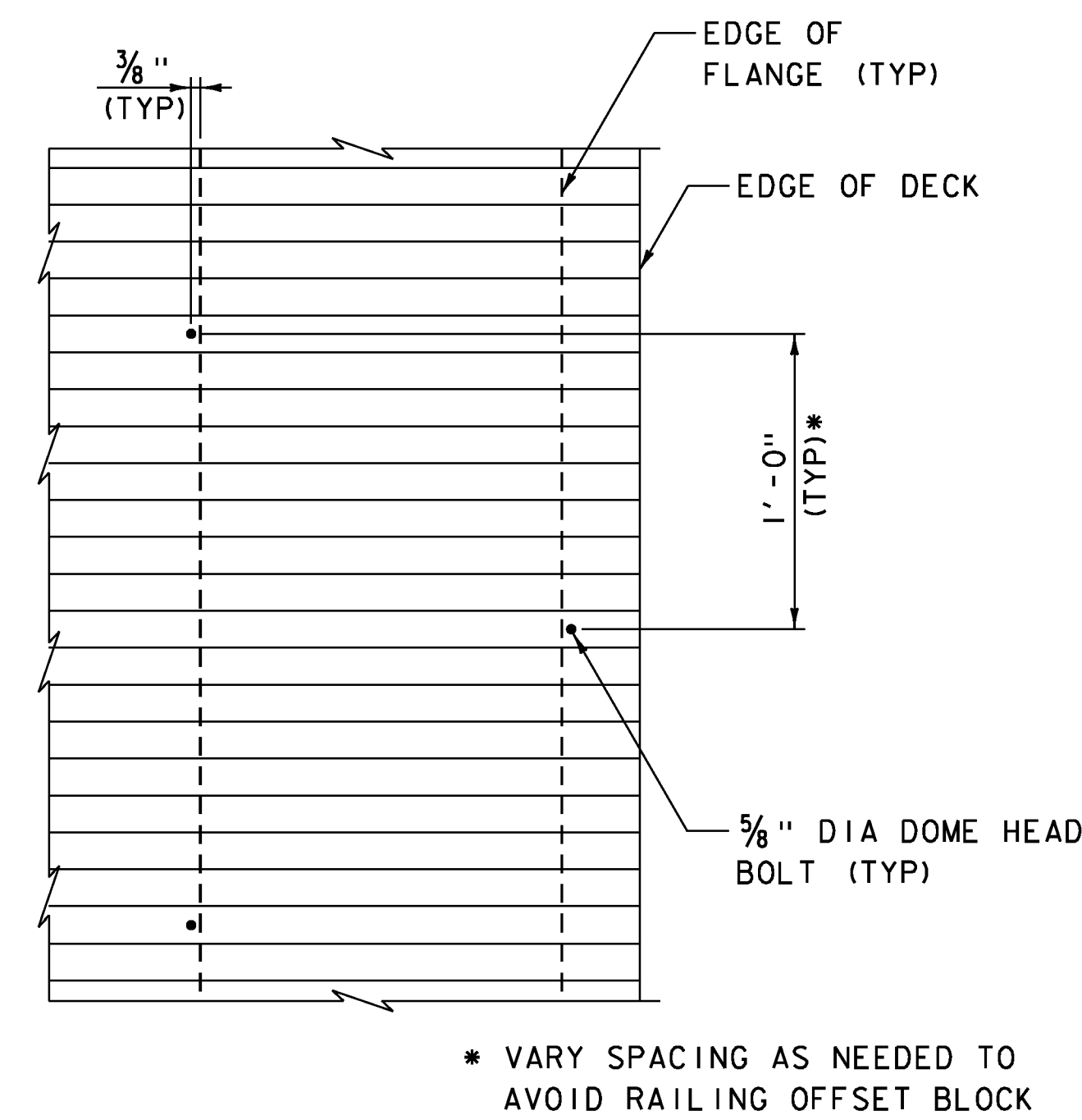
POST SPACING END DETAIL
SCALE: 3/4" = 1'-0"



● INDICATES NAILS IN FIRST LAMINATION
+ INDICATES NAILS IN SECOND LAMINATION
x INDICATES NAILS IN THIRD LAMINATION
NAIL PLACEMENT PATTERN
NOT TO SCALE



PEDESTRIAN BRIDGE RAILING DETAIL
SCALE: 1" = 1'-0"



DECK CLIP BOLT PLACEMENT DETAIL
NOT TO SCALE

NOTES:

1. ALL STRUCTURAL STEEL FOR THE TEMPORARY PEDESTRIAN BRIDGE SHALL MEET THE REQUIREMENTS OF AASHTO M270M/M270 GRADE 50.
2. ALL BOLTS FOR STRUCTURAL STEEL SHALL CONFORM TO ASTM A325.
3. ALL TIMBER SHALL MEET THE REQUIREMENTS OF SECTION 709.01 OF THE SPECIFICATION. TIMBER SHALL BE SOUTHERN PINE, NO. 1 GRADE OR BETTER AND SHALL BE TREATED. FINISH SHALL BE DRESSED.
4. ALL TIMBER SIZES ARE NOMINAL AND SURFACED FOUR SIDES (S4S) UNLESS NOTED WITH THE ACTUAL DIMENSIONS.
5. ALL CONNECTION HARDWARE USED FOR TIMBER MATERIALS SHALL MEET THE REQUIREMENTS OF SECTION 709.01 (H) OF THE SPECIFICATIONS.

NOTE: NAIL LAMINATED DECK PANELS SHALL BE A MINIMUM OF 18" IN LENGTH WITH A 1/2" GAP BETWEEN PANELS



PROJECT NAME: MIDDLEBURY	PLOT DATE: 5/19/2017
PROJECT NUMBER: EWP3(I)	DRAWN BY: R.H. BARNES
FILE NAME: z17b016_PedSup.dgn	CHECKED BY: S.E. BURBANK
DESIGNED BY: R.H. BARNES	PEDESTRIAN BRIDGE DETAILS
	SHEET 10 OF 54