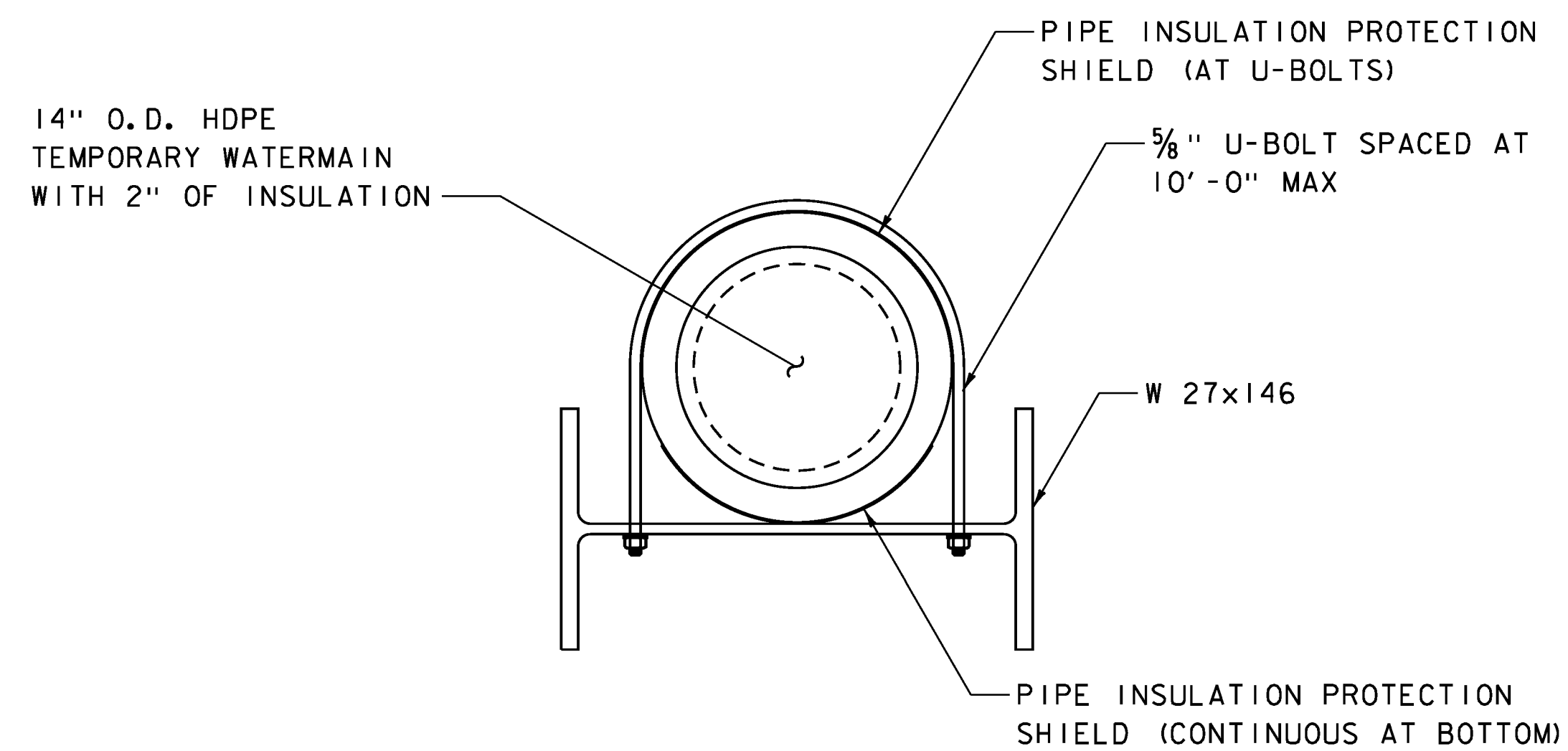


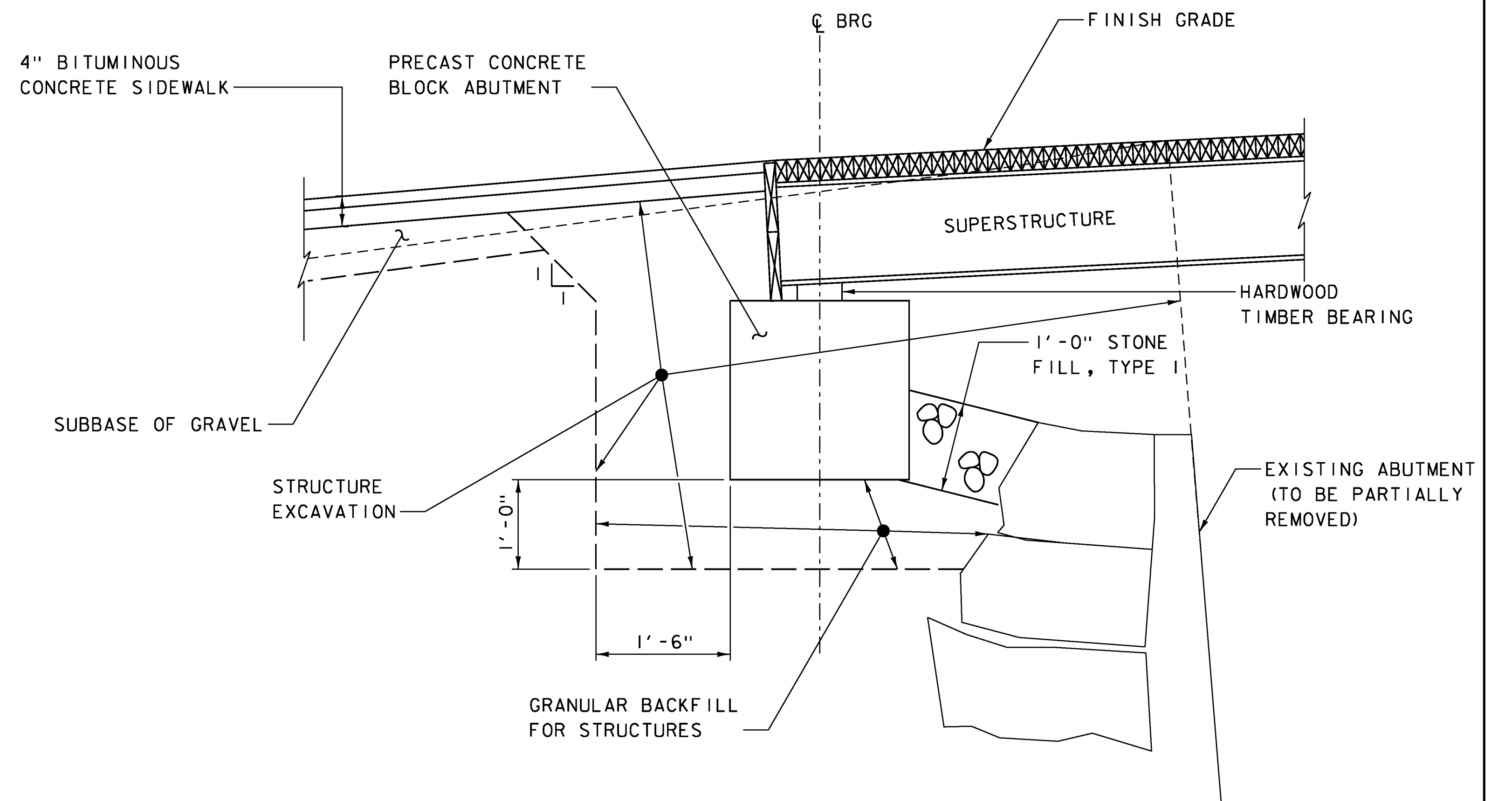
TYPICAL TEMPORARY PEDESTRIAN BRIDGE SECTION

SCALE 1"=1'-0"



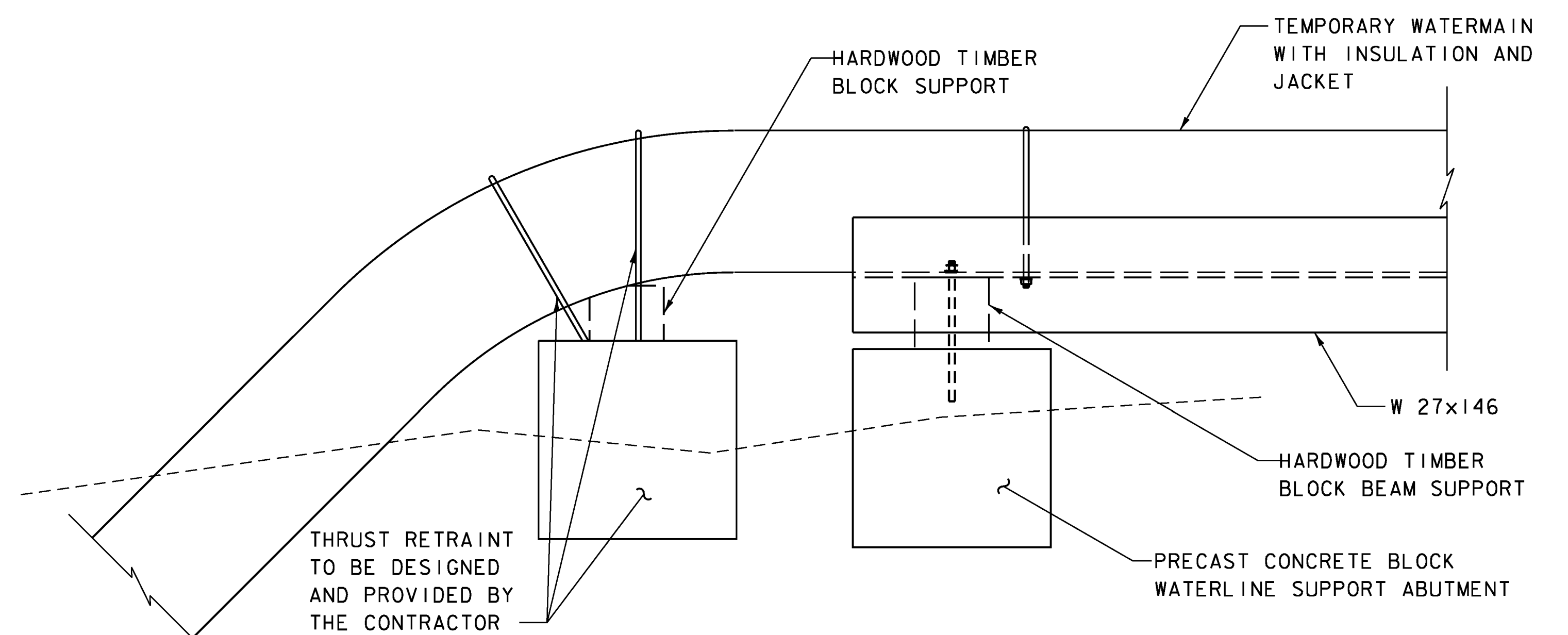
TYPICAL TEMPORARY WATERMAIN SUPPORT SECTION

SCALE 1/2"=1'-0"



TEMPORARY PEDESTRIAN BRIDGE ABUTMENT EARTHWORKS TYPICAL SECTION

SCALE 1"=1'-0"



TEMPORARY WATERMAIN SUPPORT END DETAIL

SCALE 1"=1'-0"

PROJECT NAME: MIDDLEBURY  
 PROJECT NUMBER: EWP3(I)

FILE NAME: z17b016\_TYP\_PedBridge.dgn  
 PROJECT LEADER: A.P. GUYETTE  
 DESIGNED BY: R.H. BARNES  
 TYPICAL SECTIONS SHEET 3

PLOT DATE: 5/19/2017  
 DRAWN BY: R.H. BARNES  
 CHECKED BY: S.E. BURBANK  
 SHEET 7 OF 54

