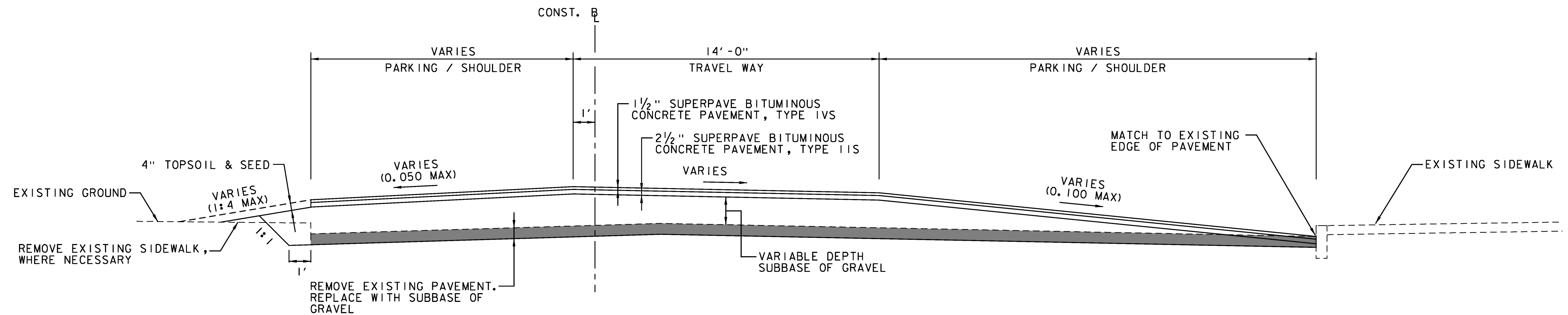


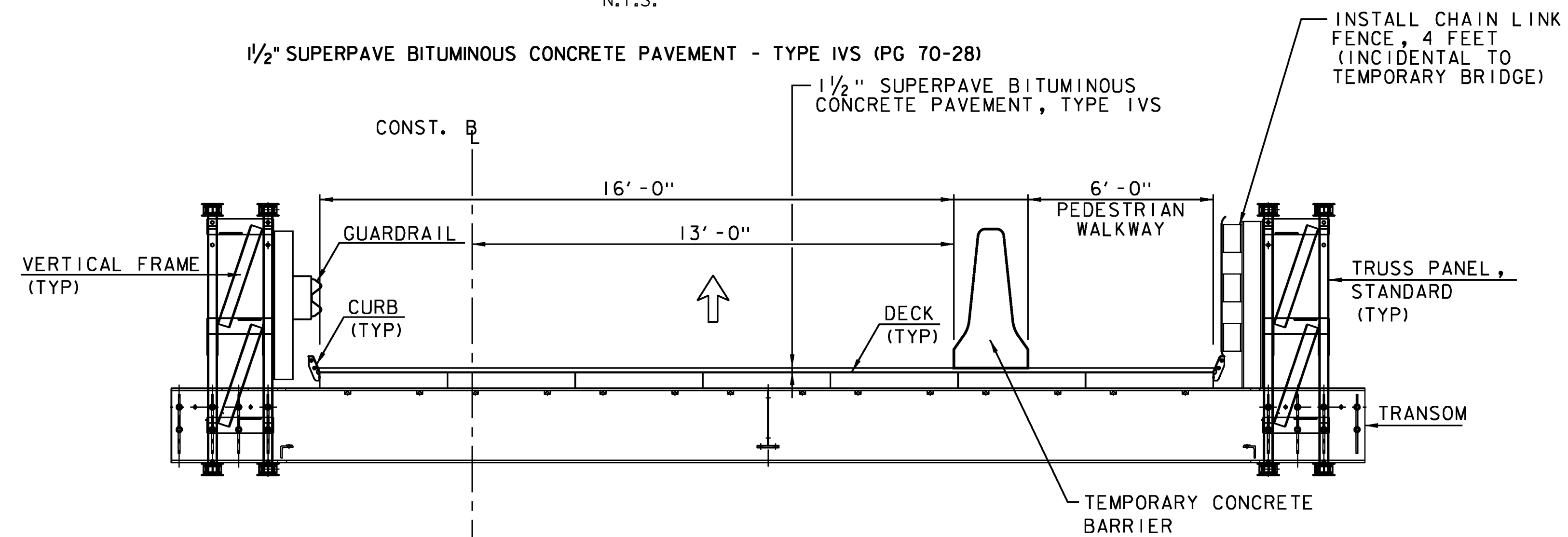
TYPICAL SECTIONS

1/2" SUPERPAVE BITUMINOUS CONCRETE PAVEMENT - TYPE IVS (PG 70-28)
 2 1/2" SUPERPAVE BITUMINOUS CONCRETE PAVEMENT - TYPE IIS (PG 70-28)
 SUBBASE OF GRAVEL



MERCHANTS ROW (TH #8)

STA. 20+50.00 - 21+44.00
 STA. 22+04.00 - 23+10.00
 N.T.S.



MERCHANTS ROW TEMPORARY BRIDGE

STA. 21+44.00 - 22+04.00
 N.T.S.

PROJECT NAME: MIDDLEBURY
 PROJECT NUMBER: EWP3(1)

FILE NAME: z17b016_TYP.dgn
 PROJECT LEADER: A.P. GUYETTE
 DESIGNED BY: D.M. PECK
 TYPICAL SECTIONS SHEET 2

PLOT DATE: 5/19/2017
 DRAWN BY: D.M. PECK
 CHECKED BY: E.P. DETRICK
 SHEET 6 OF 54

