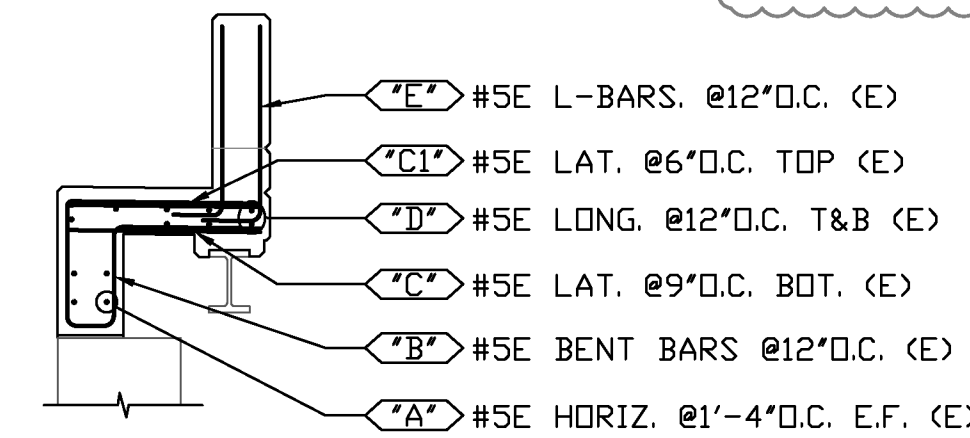


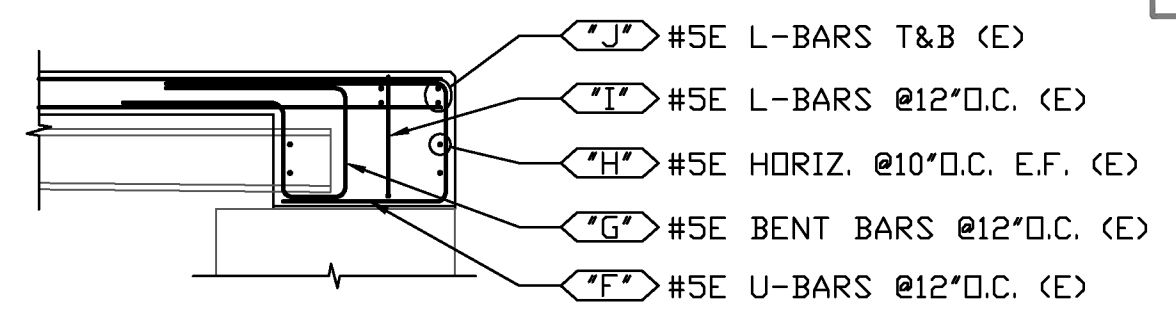
Release Number:				BAR LIST												
Bar Mark	Qty	Size	Total Length	Type	'A'	'B'	'C'	'D'	'E'	'F'	'G'	'H'	'J'	'K'	'O'	'R'
5AE01	28	#5	4'-3"	17		1'-0"	3'-3"									
5AE02	2	#5	18'-0"			18'-0"										
5AE03	2	#5	17'-7"			17'-7"										
5AE04	2	#5	2'-9"	17		1'-0"	1'-9"									
5AE05	2	#5	14'-11"			14'-11"										
5AE06	2	#5	12'-3"			12'-3"										
5AE07	2	#5	9'-6"			9'-6"										
5AE08	2	#5	6'-10"			6'-10"										
5AE09	2	#5	4'-1"			4'-1"										
5AE10a	1	#5	1'-7"			1'-7"										
5AE10b	1	#5	2'-2"			2'-2"										
5AE10c	1	#5	2'-10"			2'-10"										
5AE10d	1	#5	3'-5"			3'-5"										
5AE10e	1	#5	4'-1"			4'-1"										
5AE10f	1	#5	4'-8"			4'-8"										
5AE10g	1	#5	5'-4"			5'-4"										
5AE10h	1	#5	5'-11"			5'-11"										
5AE10i	1	#5	6'-7"			6'-7"										
5AE10j	1	#5	7'-2"			7'-2"										
5AE10k	1	#5	7'-10"			7'-10"										
5AE11a	1	#5	1'-7"			1'-7"										
5AE11b	1	#5	1'-11"			1'-11"										
5AE11c	1	#5	2'-4"			2'-4"										
5AE11d	1	#5	2'-9"			2'-9"										
5AE11e	1	#5	3'-1"			3'-1"										
5AE11f	1	#5	3'-6"			3'-6"										
5AE11g	1	#5	3'-11"			3'-11"										
5AE11h	1	#5	4'-3"			4'-3"										
5AE11i	1	#5	4'-8"			4'-8"										
5AE11j	1	#5	5'-1"			5'-1"										
5AE11k	1	#5	5'-5"			5'-5"										
5AE11l	1	#5	5'-10"			5'-10"										
5AE11m	1	#5	6'-3"			6'-3"										
5AE11n	1	#5	6'-7"			6'-7"										
5AE11o	1	#5	7'-0"			7'-0"										
5AE11p	1	#5	7'-5"			7'-5"										
5AE11q	1	#5	7'-10"			7'-10"										
5AE12	1	#5	5'-4"	17		1'-7"	2'-2"	1'-7"								
5AE13	2	#5	7'-4"	17		2'-7"	1'-9"	3'-0"								
5AE14	2	#5	10'-4"	H68		3'-0"	1'-7"	1'-0"								
5AE15	9	#5	9'-2"	H68		3'-0"	1'-6"	0'-7"								
5AE16	6	#5	13'-6"			13'-6"										

**KEY PLAN**  
CONTRACT REF. SHEET 13

CONTRACTOR IS TO CONFIRM ELEVATIONS DURING DEMOLITION



**SECTION 1**  
CONTRACT REF. SHEET 13



**SECTION 2**  
CONTRACT REF. SHEET 13

**SHOP DRAWING REVIEW**

REVIEWED AS REQUIRED BY THE CONSTRUCTION CONTRACT DOCUMENTS AND APPROVED, BUT ONLY FOR CONFORMANCE TO THE DESIGN CONCEPT OF THE WORK, AND SUBJECT TO FURTHER LIMITATIONS AND REQUIREMENTS CONTAINED IN THE CONSTRUCTION CONTRACT DOCUMENTS.

REJECTED  REVISE AND RESUBMIT  APPROVED AS NOTED

CORRECTIONS OR COMMENTS MADE ON THE SHOP DRAWINGS DURING THIS REVIEW DID NOT RELIEVE CONTRACTOR FROM COMPLIANCE WITH REQUIREMENTS OF THE DRAWINGS AND SPECIFICATIONS. THIS CHECK IS ONLY FOR REVIEW OF GENERAL CONFORMANCE WITH THE DESIGN CONCEPT OF THE PROJECT AND GENERAL COMPLIANCE WITH THE INFORMATION GIVEN IN THE CONTRACT DOCUMENTS. THE CONTRACTOR IS RESPONSIBLE FOR CONFIRMING AND CORRELATING ALL QUANTITIES AND DIMENSIONS; SELECTING FABRICATION PROCESSES AND TECHNIQUES OF CONSTRUCTION; COORDINATING THEIR WORK WITH THAT OF ALL OTHER TRADES; AND PERFORMING THEIR WORK IN A SAFE AND SATISFACTORY MANNER.

CLD Consulting Engineers  
540 Commercial Street  
Manchester, NH 03101  
603-668-8223

Job Number: 150223  
Reviewed by: SRB  
Date: 06/30/2016

Vermont Agency of Transportation  
**RECEIVED**  
ON: June 29, 2016  
and Checked for  
**CONFORMANCE**  
BY: Jennifer Fitch DATE: 06/29/16

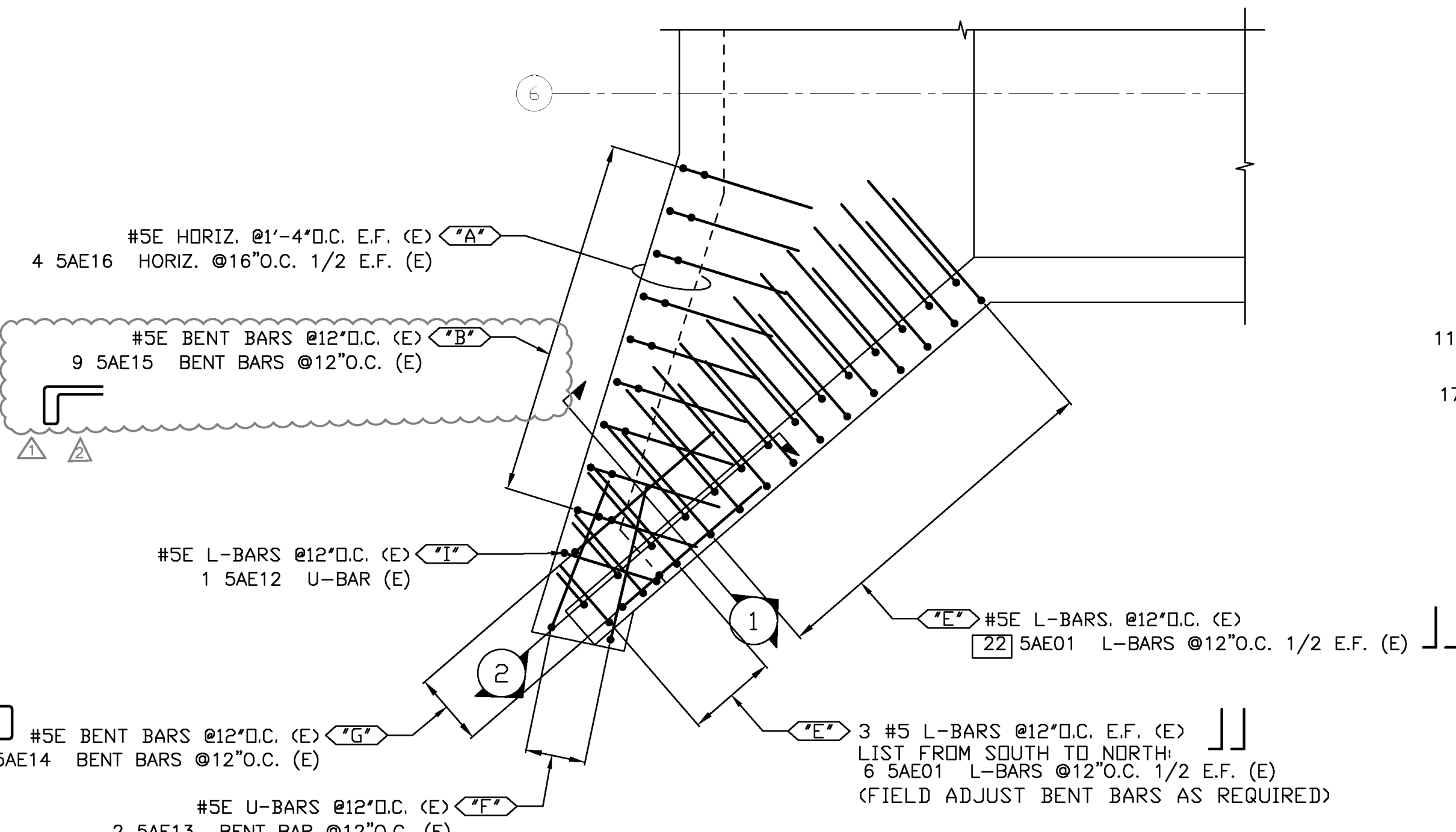
**FOR APPROVAL**

**ALL REINF. EPOXY**

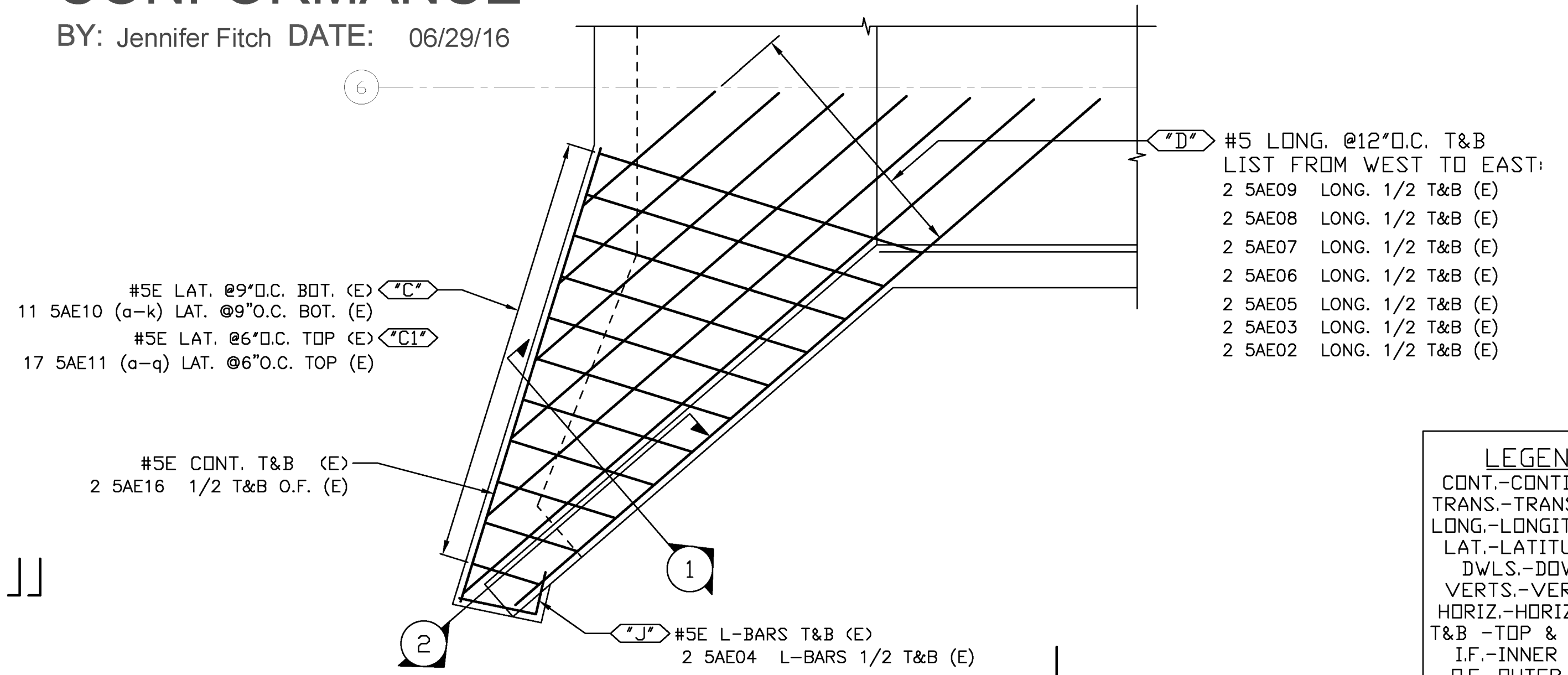
ELEVATIONS & DIMENSIONS SHOWN ON THIS DWG. ARE FOR REINF. DETAILING PURPOSES ONLY AND ARE NOT INTENDED FOR DIMENSIONAL CONSTRUCTION.

EPOXY REINF. BARS ASTM A615 GRADE 60, MARKED (E)

VERIFICATION OF UNCLEAR INFORMATION MAY BE REQUESTED ON THIS DRAWING. SHOULD VERIFICATION BE LEFT UN-ADDRESSED IT WILL REMAIN AS SHOWN AND ASSUME TO BE CORRECT.



**DETAIL 1 - BACKWALL AND BARRIER REINF.**  
CONTRACT REF. SHEET 13



**DETAIL 2 - CONT. & TRANS. REINF.**  
CONTRACT REF. SHEET 14

**LEGEND:**  
CONT.-CONTINUOUS  
TRANS.-TRANSVERSE  
LONG.-LONGITUDINAL  
LAT.-LATITUDINAL  
DWLS.-DOWELS  
VERTS.-VERTICAL  
HORIZ.-HORIZONTAL  
T&B -TOP & BOTTOM  
I.F.-INNER FACE  
O.F.-OUTER FACE  
E.E.-EACH END  
E.F.-EACH FACE  
F.F.-FRONT FACE  
R.F.-REAR FACE  
E.W.-EACH WAY  
O.C.-ON CENTER  
L.W.-LONG WAY  
S.W.-SHORT WAY

6			
5			
4			
3	6/29/16	Revised 5AE15	
2	6/21/16	REVISED AS NOTED/FOR APPROVAL	
1	6/13/16	FOR APPROVAL	
DATE	REV.#	SENT FOR	
<b>DIMENSION</b>			
DIMENSION FABRICATORS INC.			
VTAOT BRATTLEBORO VF 2000(26)			
LOCATION	ELLIOT ST. OVER WHETSTONE BROOK BRATTLEBORO, VT		
ARCHITECT	N/A		
ENGINEER	CLD CONSULTING ENGINEERS		
CUSTOMER	RENAUD BROS., INC.		
DRAWN BY	STEPHEN B	DATE	5/13/16
DATE		DATE	5/13/16
OFF #		OFF #	9744
DRAWING COVERS		DRAWING #	
DECK REINFORCING DETAIL		B	