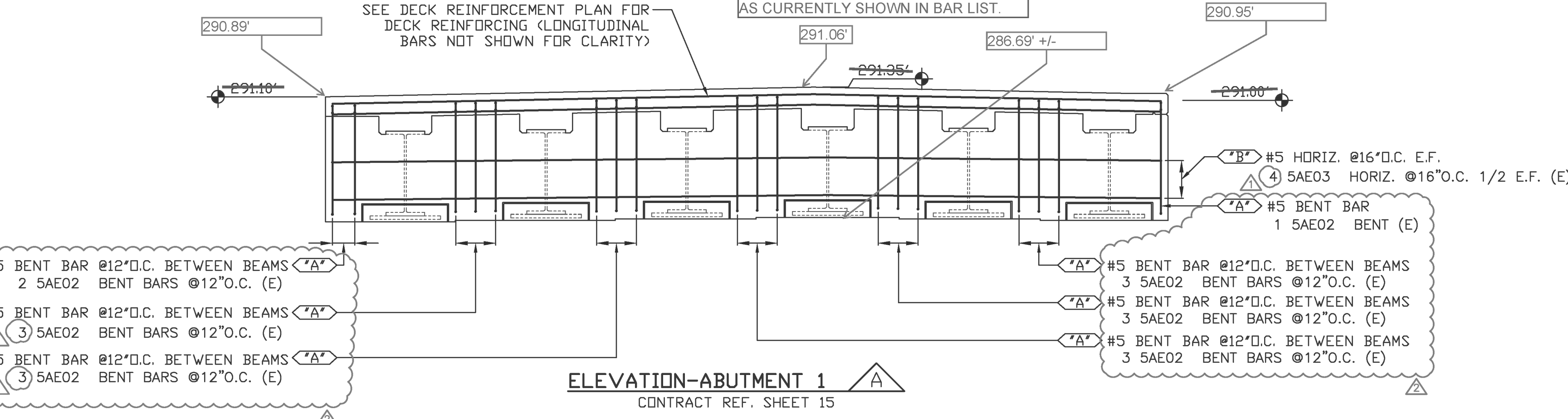
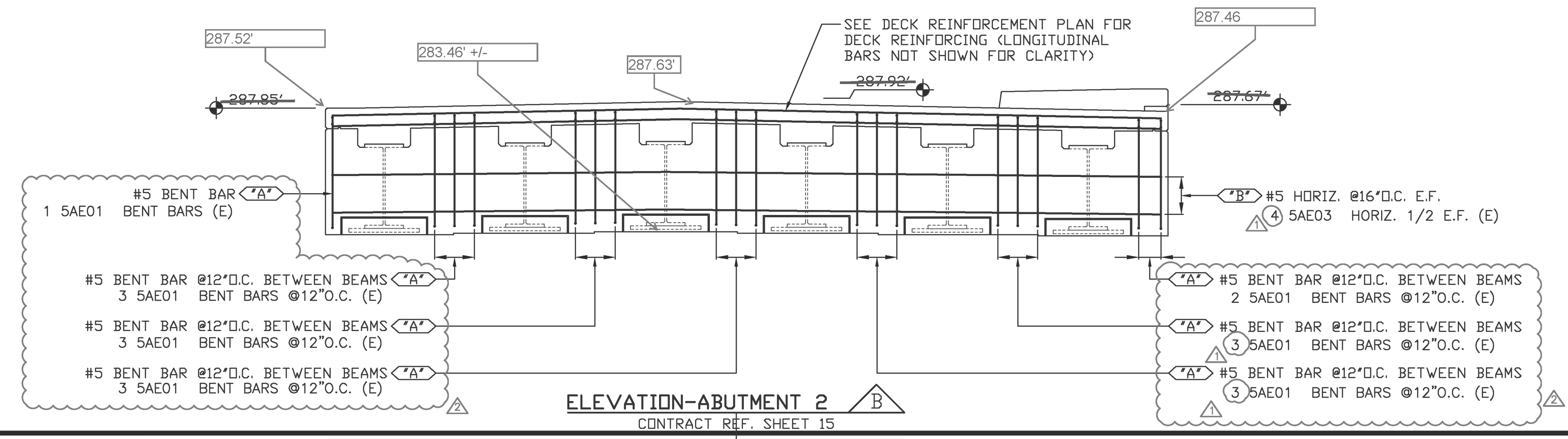


**DECK REINFORCEMENT PLAN**  
CONTRACT REF. SHEET 13

PLEASE NOTE - THE FINISHED GRADE ELEVATIONS HAVE BEEN REVISED ALONG THE LENGTH OF THE BRIDGE. SEE NEW ELEVATIONS BELOW. HOWEVER, IT APPEARS THAT THE CURTAIN WALL BAR LENGTHS ARE OK AS CURRENTLY SHOWN IN BAR LIST.

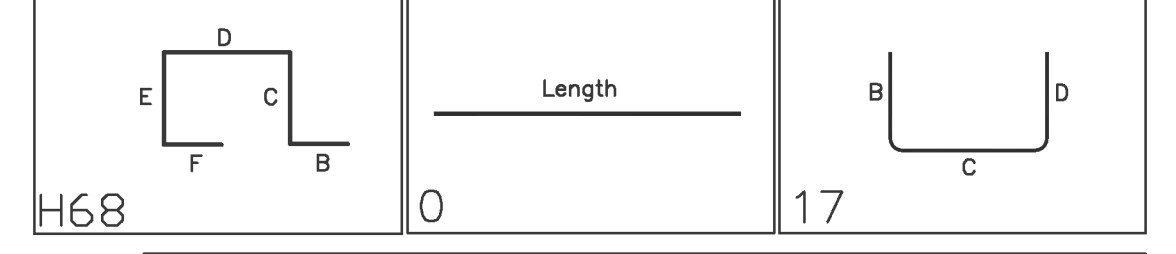


**ELEVATION-ABUTMENT 1**  
CONTRACT REF. SHEET 15



**ELEVATION-ABUTMENT 2**  
CONTRACT REF. SHEET 15

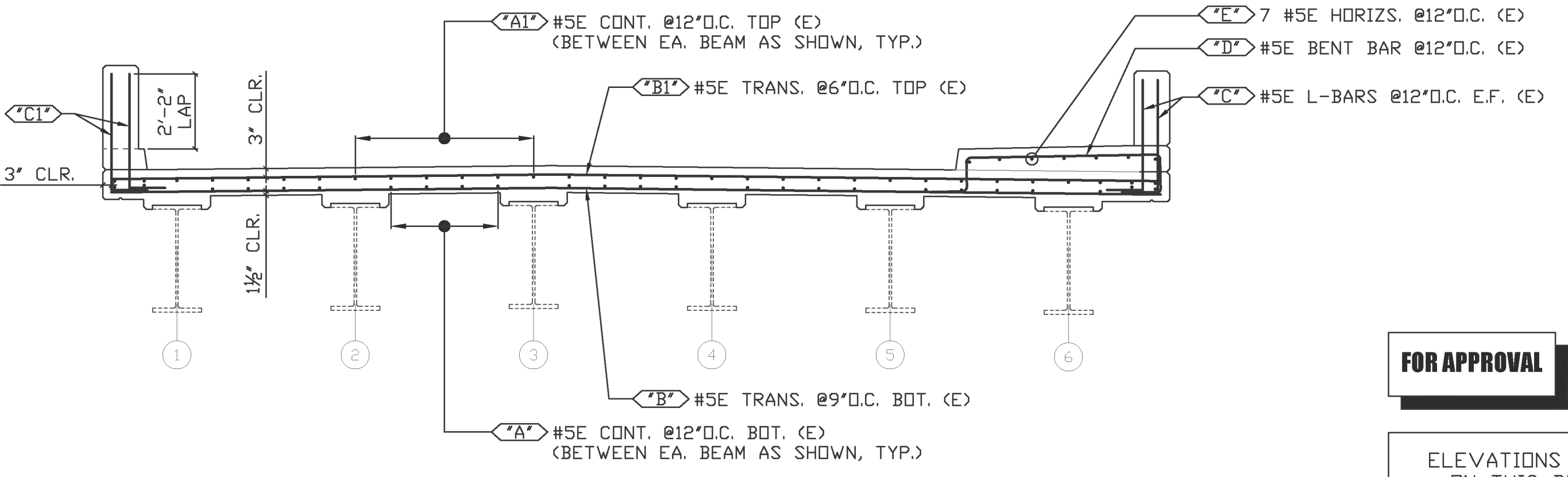
Release Number:		BAR LIST														
Bar Mark	Qty	Size	Total Length	Type	'A'	'B'	'C'	'D'	'E'	'F'	'G'	'H'	'J'	'K'	'O'	'R'
5AE01	18	#5	13'-7"	H68		3'-0"	3'-4 1/2"	△ 0'-7"	3'-7 1/2"	3'-0"						
5AE02	18	#5	14'-0"	H68		3'-0"	3'-7"	△ 0'-7"	3'-10"	3'-0"						
5AE03	308	#5	29'-5"													
5AE04	77	#5	9'-1"	H68		0'-10"	0'-11"	5'-5"	1'-1"	0'-10"						
5AE05	364	#5	4'-3"	17		1'-0"	3'-3"									
5AE06	7	#5	28'-6"													
5AE07	126	#5	30'-0"													
5AE08	56	#5	35'-6"													
5AE09	1	#5	8'-11"	H68		0'-10"	0'-10"	5'-5"	1'-0"	0'-10"						
5AE10	1	#5	8'-8"	H68		0'-10"	0'-8 1/2"	5'-5"	0'-10 1/2"	0'-10"						
5AE11	1	#5	8'-6"	H68		0'-10"	0'-7 1/2"	5'-5"	0'-9 1/2"	0'-10"						
5AE12	1	#5	8'-3"	H68		0'-10"	0'-6"	5'-5"	0'-8"	0'-10"						



**ALL REINF. EPOXY**

Vermont Agency of Transportation  
**RECEIVED**  
ON: June 29, 2016  
and Checked for  
**CONFORMANCE**  
BY: Jennifer Fitch DATE: 06/29/16

FIELD ADJUST CONT. SIDEWALK BARS AS REQUIRED AT RAMP



**SECTION 1**  
CONTRACT REF. SHEET 13

**LEGEND:**  
CONT.-CONTINUOUS  
TRANS.-TRANSVERSE  
LONG.-LONGITUDINAL  
LAT.-LATITUDINAL  
DWLS.-DOWELS  
VERTS.-VERTICAL  
T&B -TOP & BOTTOM  
I.F.-INNER FACE  
O.F.-OUTER FACE  
E.E.-EACH END  
E.F.-EACH FACE  
R.F.-FRONT FACE  
E.W.-EACH WAY  
O.C.-ON CENTER  
L.W.-LONG WAY  
S.W.-SHORT WAY

**FOR APPROVAL**

ELEVATIONS & DIMENSIONS SHOWN ON THIS DWG. ARE FOR REINF. DETAILING PURPOSES ONLY AND ARE NOT INTENDED FOR DIMENSIONAL CONSTRUCTION.

EPOXY REINF. BARS ASTM A615 GRADE 60, MARKED (E)

VERIFICATION OF UNCLEAR INFORMATION MAY BE REQUESTED ON THIS DRAWING. SHOULD VERIFICATION BE LEFT UN-ADDRESSED IT WILL REMAIN AS SHOWN AND ASSUME TO BE CORRECT.

**SHOP DRAWING REVIEW**

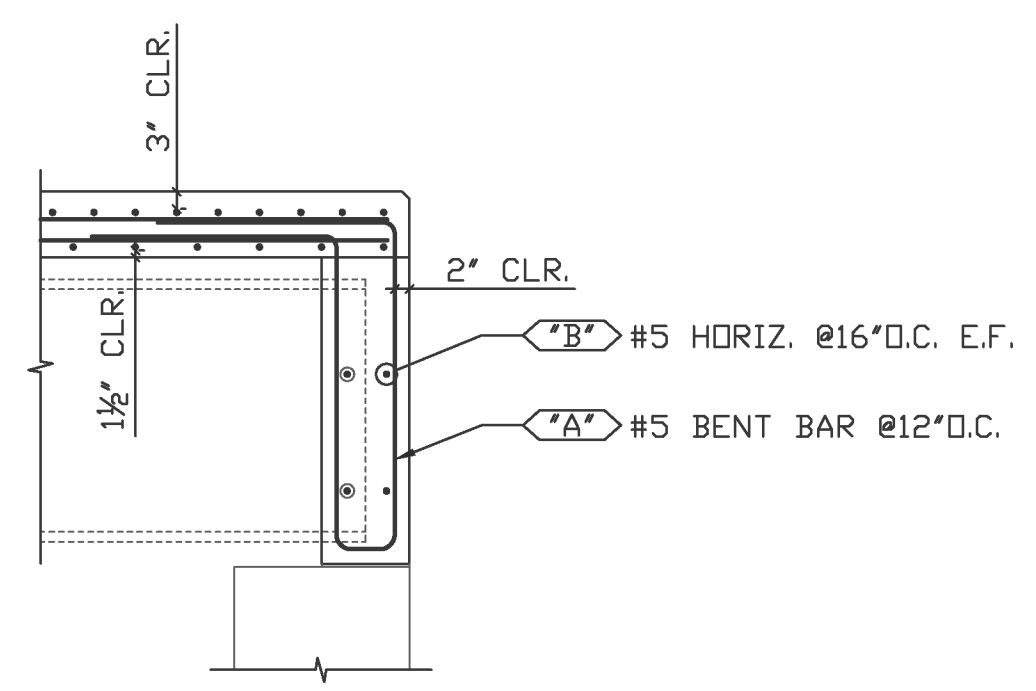
REVIEWED AS REQUIRED BY THE CONSTRUCTION CONTRACT DOCUMENTS AND APPROVED, BUT ONLY FOR CONFORMANCE TO THE DESIGN CONCEPT OF THE WORK, AND SUBJECT TO FURTHER LIMITATIONS AND REQUIREMENTS CONTAINED IN THE CONSTRUCTION CONTRACT DOCUMENTS.

REJECTED  REVISE AND RESUBMIT  APPROVED AS NOTED

CORRECTIONS OR COMMENTS MADE ON THE SHOP DRAWINGS DURING THIS REVIEW DID NOT RELIEVE CONTRACTOR FROM COMPLIANCE WITH REQUIREMENTS OF THE DRAWINGS AND SPECIFICATIONS. THIS CHECK IS ONLY FOR REVIEW OF GENERAL CONFORMANCE WITH THE DESIGN CONCEPT OF THE PROJECT AND GENERAL COMPLIANCE WITH THE INFORMATION GIVEN IN THE CONTRACT DOCUMENTS. THE CONTRACTOR IS RESPONSIBLE FOR CONFIRMING AND CORRELATING ALL QUANTITIES AND DIMENSIONS; SELECTING FABRICATION PROCESSES AND TECHNIQUES OF CONSTRUCTION; COORDINATING THEIR WORK WITH THAT OF ALL OTHER TRADES; AND PERFORMING THEIR WORK IN A SAFE AND SATISFACTORY MANNER.

CLD Consulting Engineers  
540 Commercial Street  
Manchester, NH 03101  
603-888-8223

Job Number: 150223  
Revised by: SRB  
Date: 06/30/2016



**SECTION 2**  
CONTRACT REF. SHEET 16

DATE	REV.#	SENT FOR
6/27/16	△	REVISED AS NOTED/FOR APPROVAL
6/21/16	△	REVISED AS NOTED/FOR APPROVAL
6/13/16	-	FOR APPROVAL

DATE: 5/13/16 REV.#: 9744

**DIMENSION**  
DIMENSION FABRICATORS INC.  
2000 7TH STREET  
SCOTIA, N.Y. 12502  
PH: (518) 374-1936  
FAX: (518) 374-4830  
www.dimensionfabricators.com

STRUCTURE: VTAOT BRATTLEBORO BF2000(26)

LOCATION: ELLITO ST. OVER WHETSTONE BROOK  
BRATTLEBORO, VT

ARCHITECT: N/A

ENGINEER: CLD CONSULTING ENGINEERS

CUSTOMER: RENAUD BROS., INC.

DRAWING COVERS: DECK & SIDEWALK REINF.

DRAWING #: A