

SHOP DRAWING REVIEW

REVIEWED AS REQUIRED BY THE CONSTRUCTION CONTRACT DOCUMENTS AND APPROVED, BUT ONLY FOR CONFORMANCE TO THE DESIGN CONCEPT OF THE WORK, AND SUBJECT TO FURTHER LIMITATIONS AND REQUIREMENTS CONTAINED IN THE CONSTRUCTION CONTRACT DOCUMENTS.

REJECTED REVISE AND RESUBMIT APPROVED AS NOTED

CORRECTIONS OR COMMENTS MADE ON THE SHOP DRAWINGS DURING THIS REVIEW DID NOT RELIEVE CONTRACTOR FROM COMPLIANCE WITH REQUIREMENTS OF THE DRAWINGS AND SPECIFICATIONS. THIS CHECK IS ONLY FOR REVIEW OF GENERAL CONFORMANCE WITH THE DESIGN CONCEPT OF THE PROJECT AND GENERAL COMPLIANCE WITH THE INFORMATION GIVEN IN THE CONTRACT DOCUMENTS. THE CONTRACTOR IS RESPONSIBLE FOR CONFIRMING AND CORRELATING ALL QUANTITIES AND DIMENSIONS, SELECTING FABRICATION PROCESSES AND TECHNIQUES OF CONSTRUCTION, COORDINATING THEIR WORK WITH THAT OF ALL OTHER TRADES, AND PERFORMING THEIR WORK IN A SAFE AND SATISFACTORY MANNER.

CLD Consulting Engineers
540 Commercial Street
Manchester, NH 03101
603-668-8223

Job Number: 1502223
Reviewed by: SRB
Date: 06/03/2016

Vermont Agency of Transportation

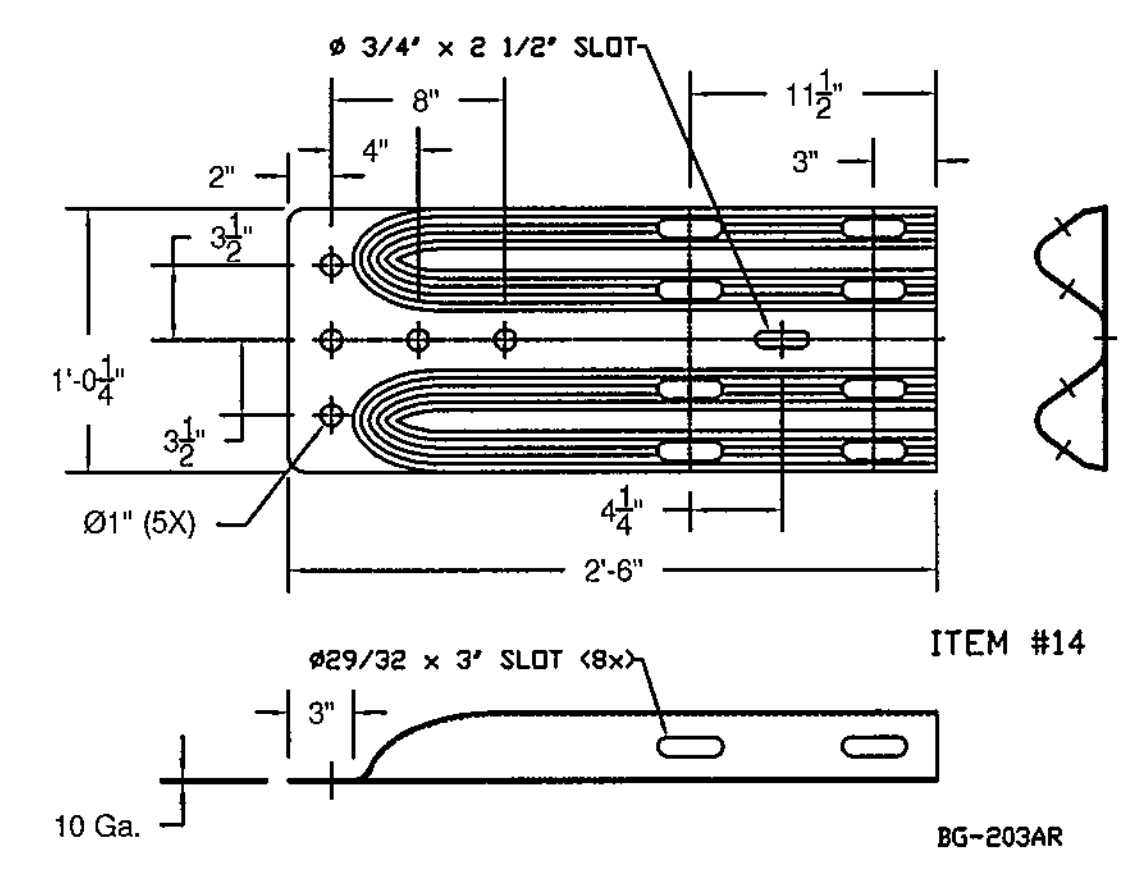
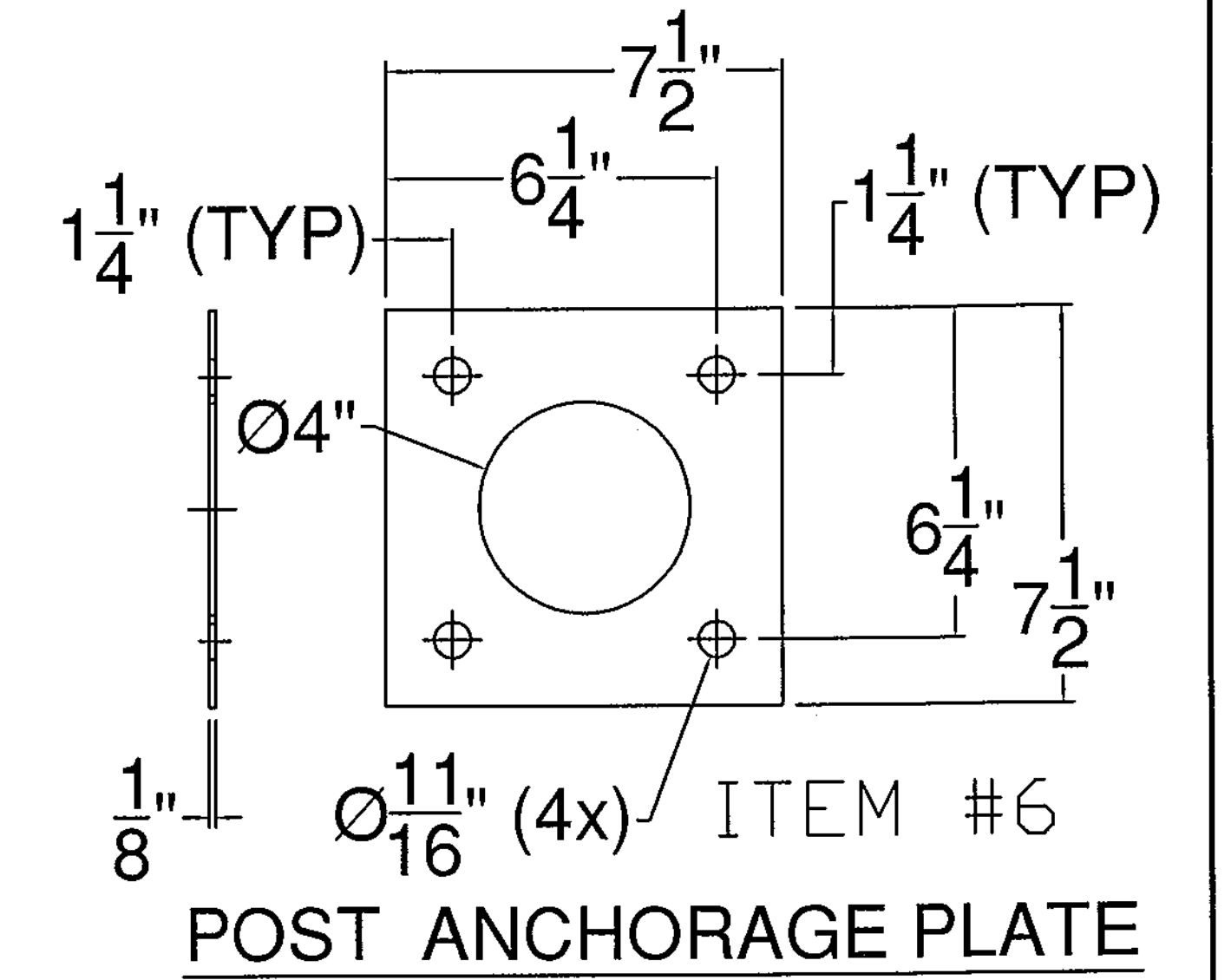
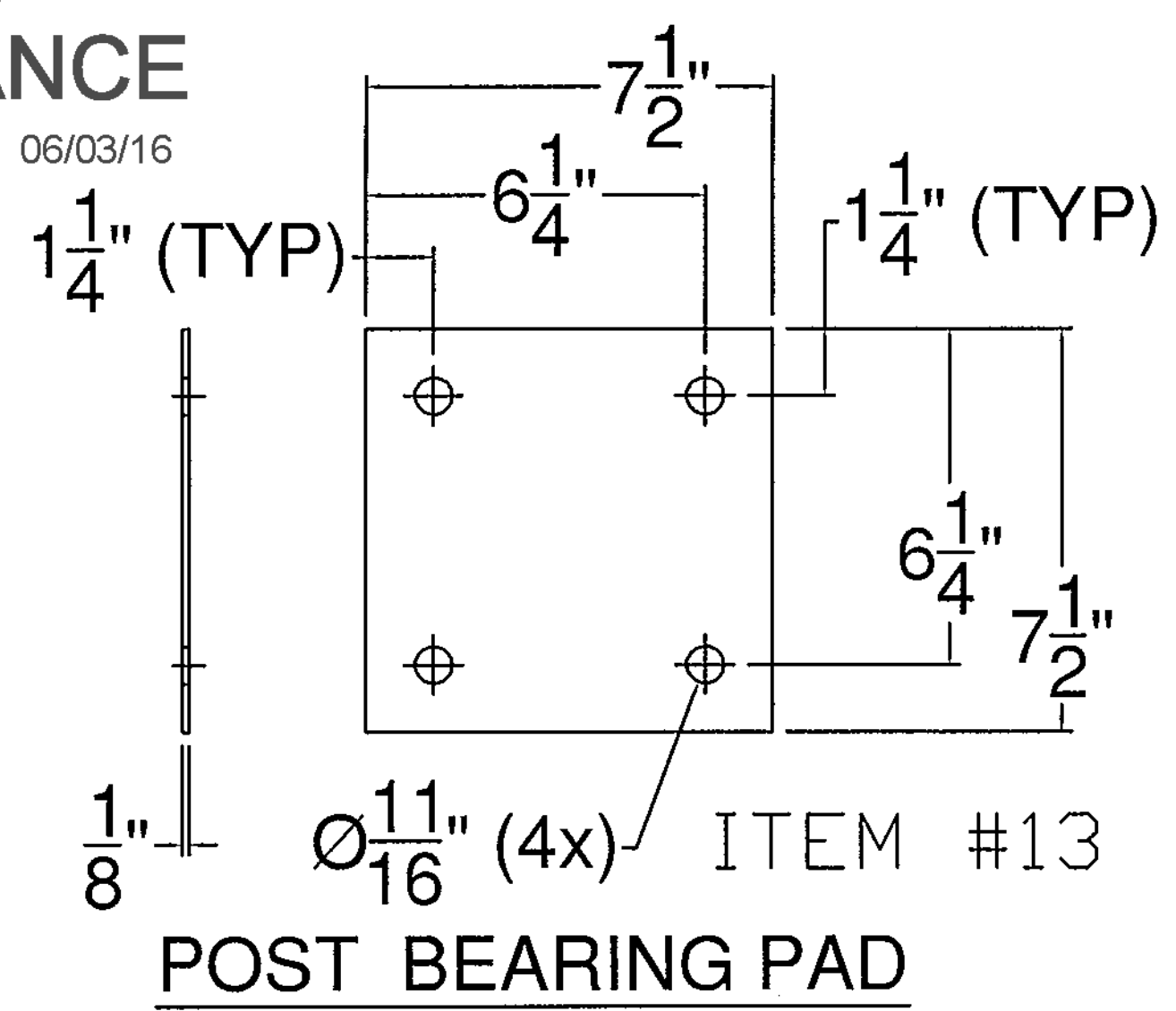
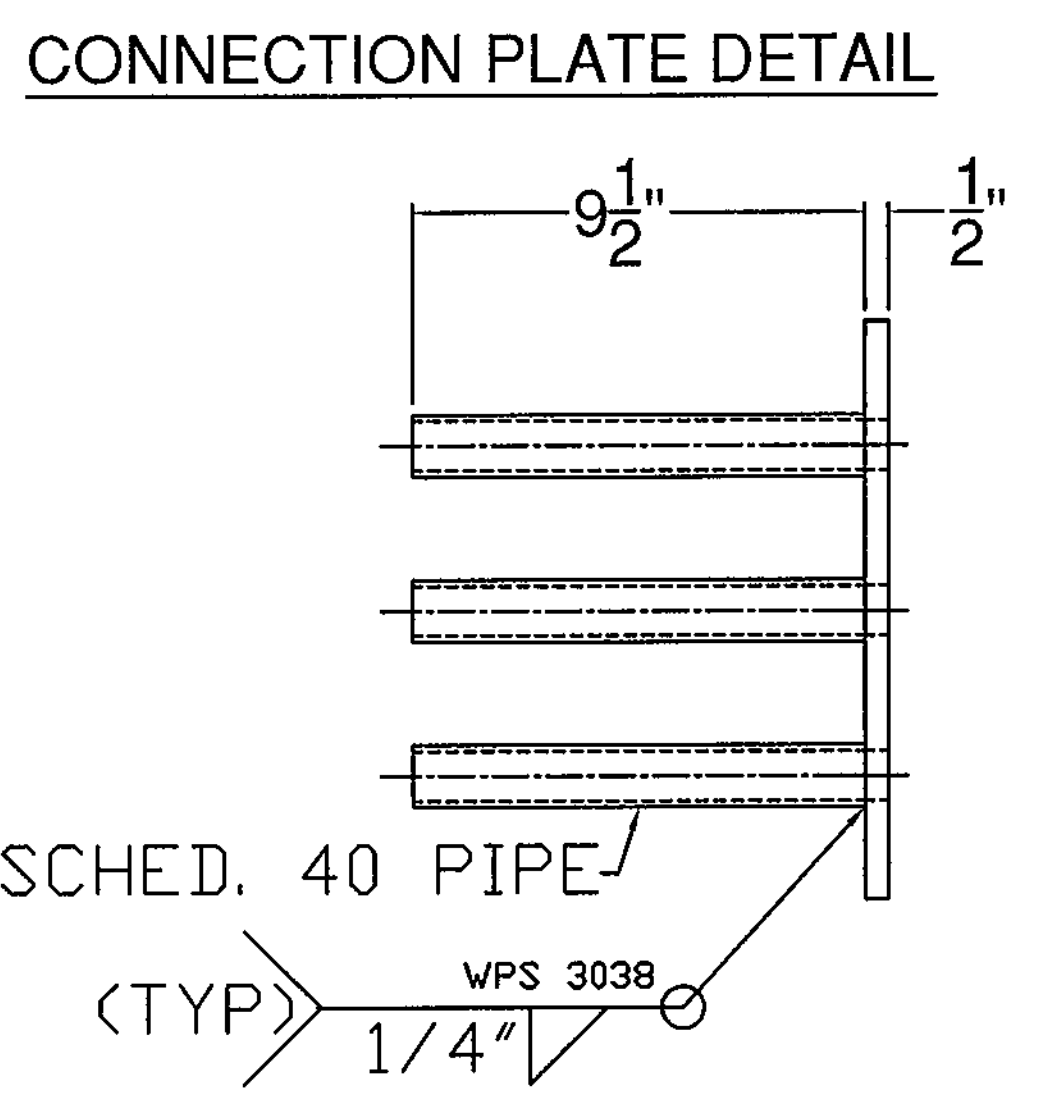
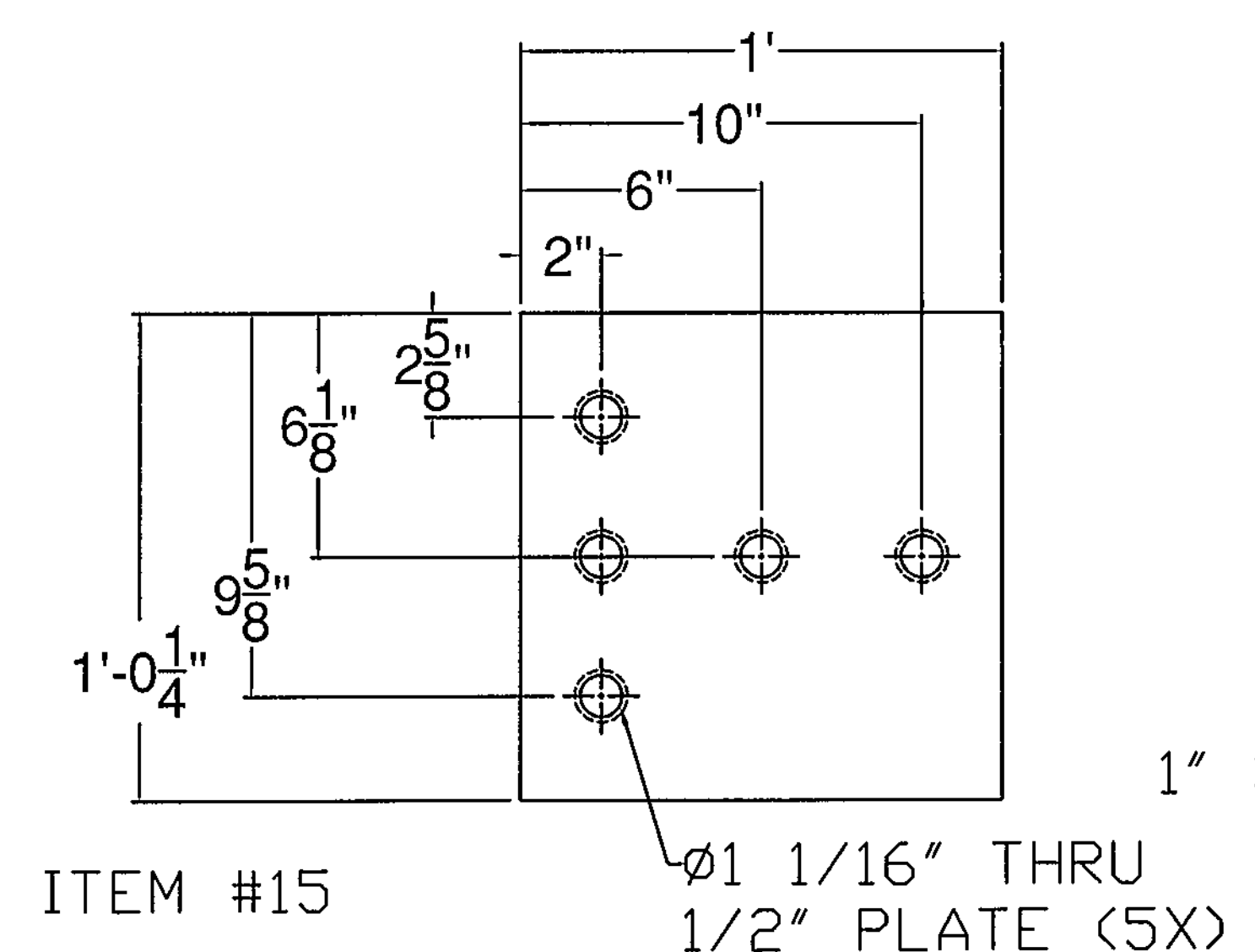
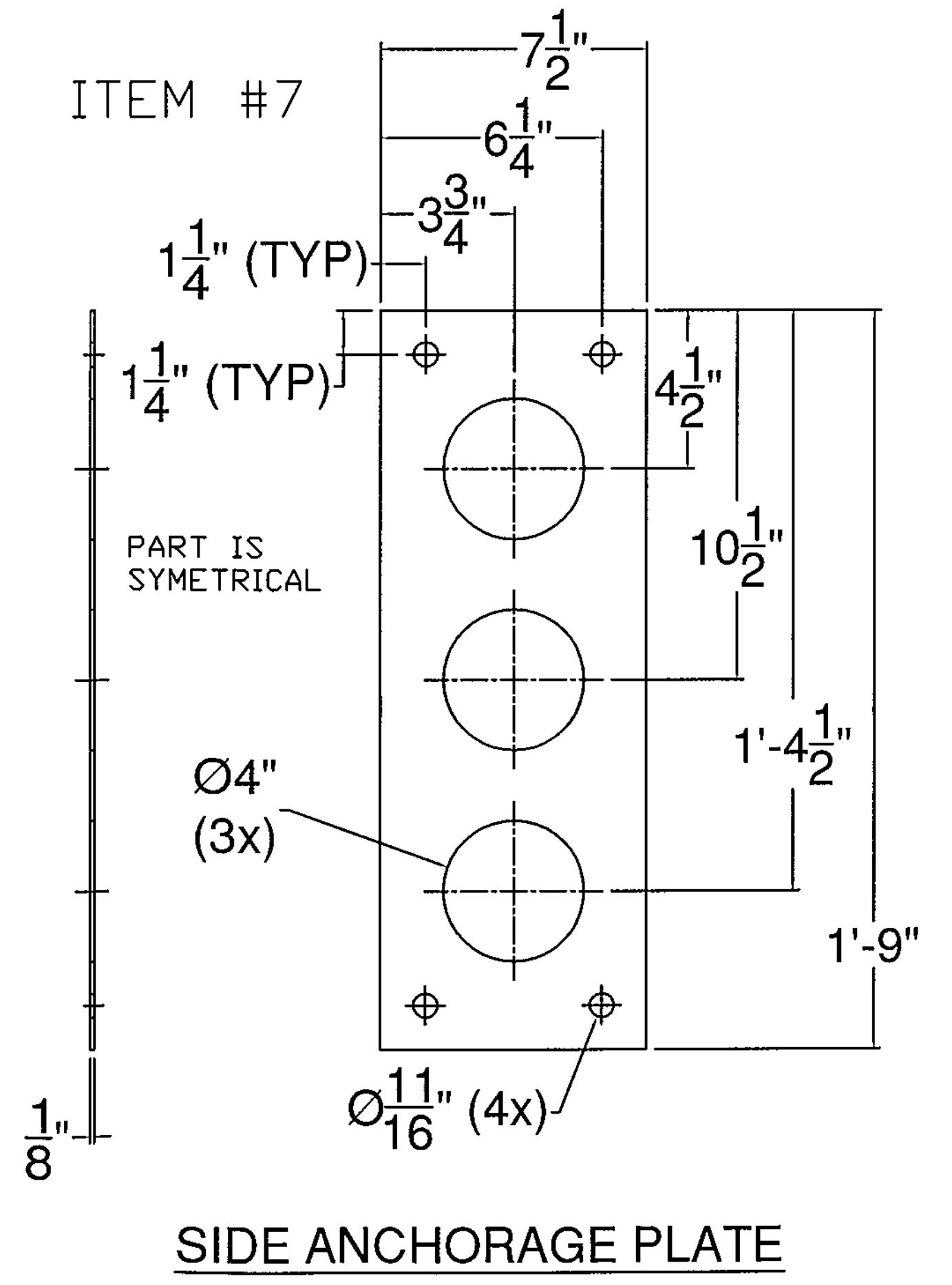
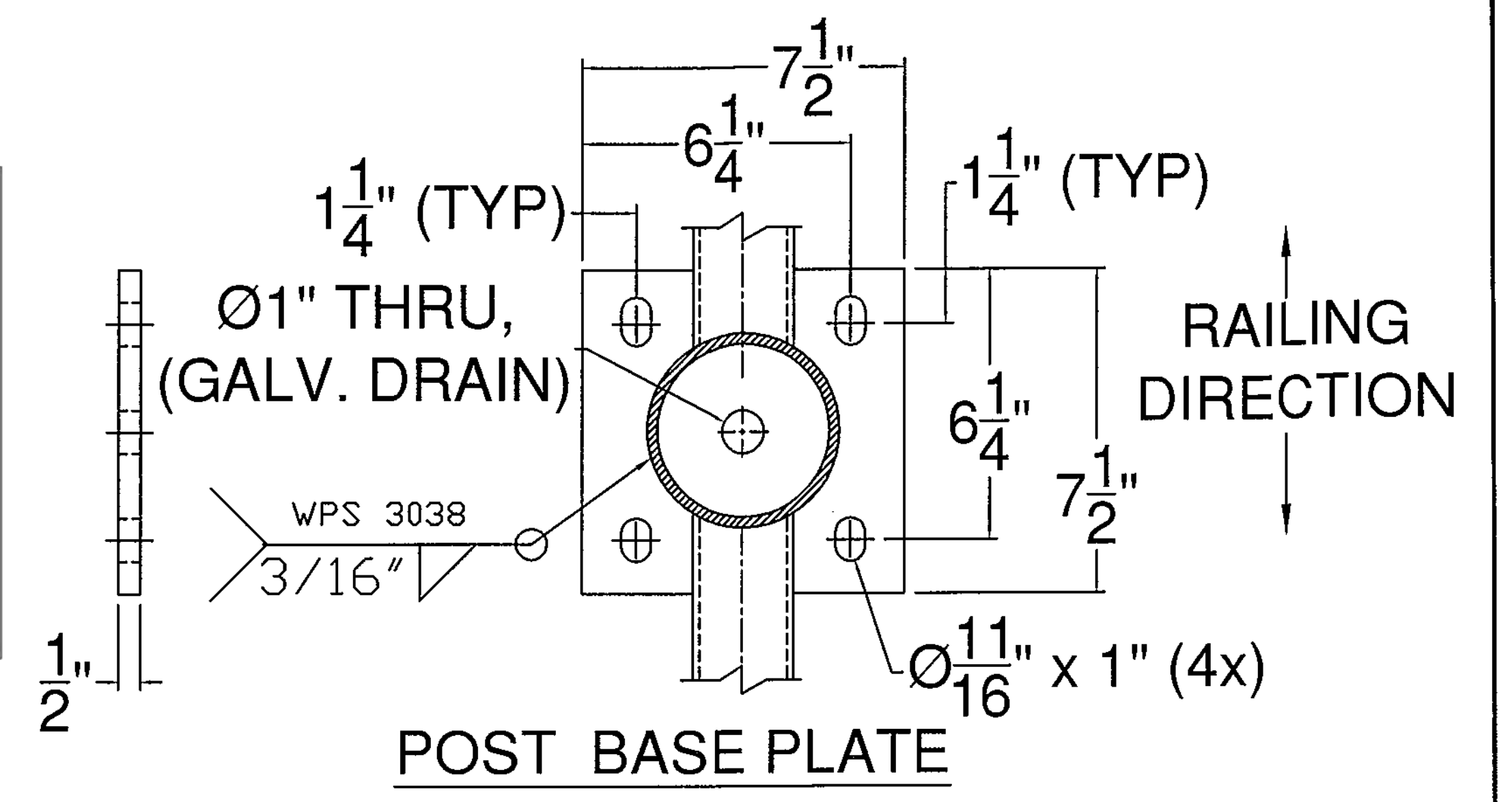
RECEIVED

ON: June 2, 2016

and Checked for

CONFORMANCE

BY: Jennifer Fitch DATE: 06/03/16



ITEM #: 900.640

APPROVED BY:

BRIDGE RAIL DETAILS SHEET
BRATTLEBORO BR 2000 (26)
VERMONT

R NO.	DATE	DESCRIPTION	BY	R NO.	DATE	DESCRIPTION	BY
E 1	6/2/16	REVISED PER 5/18/16 DWG REVIEW	E.P.				

ELDERLEE, INC.
OAKS CORNERS, NEW YORK 14578
E-Mail: dlong@elderlee.com
Tel: 315-789-6670 Fax: 315-789-6615

DRAWN	E.P.	5/4/16
CHECKED	D.L.	5/4/16
APPROVED		
SCALE	SCHEMATIC	
DRAWING NO. F.R. LAFAYETTE-BRATTLEBORO (26)		

SHEET 5 OF 5