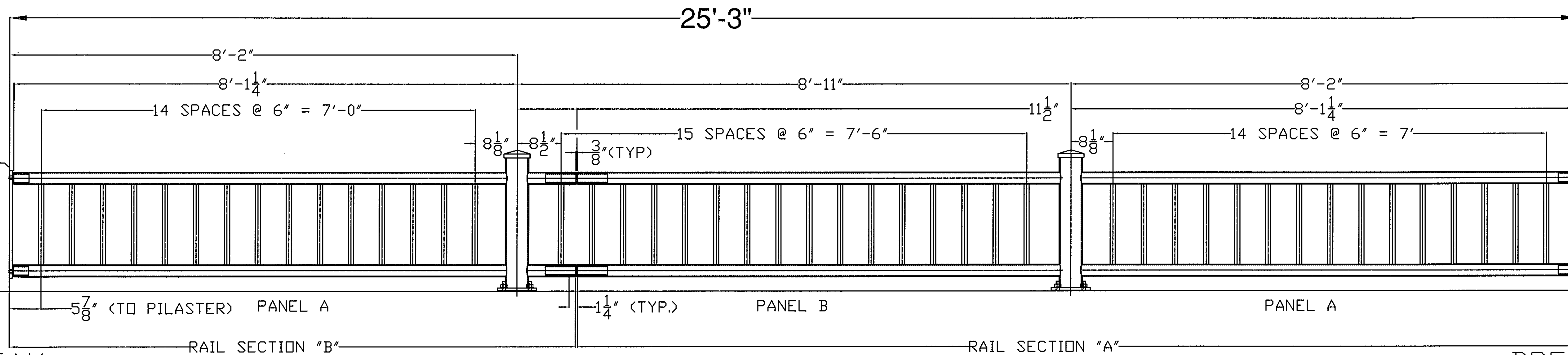


EAST RAILING, FACING EAST

BREAK LINE "A"



EAST RAILING, FACING EAST

BREAK LINE "A"


BREAK LINE "B"

SHOP DRAWING REVIEW

REVIEWED AS REQUIRED BY THE CONSTRUCTION CONTRACT DOCUMENTS AND APPROVED, BUT ONLY FOR CONFORMANCE TO THE DESIGN CONCEPT OF THE WORK, AND SUBJECT TO FURTHER LIMITATIONS AND REQUIREMENTS CONTAINED IN THE CONSTRUCTION CONTRACT DOCUMENTS.

REJECTED REVISE AND RESUBMIT APPROVED AS NOTED

CORRECTIONS OR COMMENTS MADE ON THE SHOP DRAWINGS DURING THIS REVIEW DID NOT RELIEVE CONTRACTOR FROM COMPLIANCE WITH REQUIREMENTS OF THE DRAWINGS AND SPECIFICATIONS. THIS CHECK IS ONLY FOR REVIEW OF GENERAL CONFORMANCE WITH THE DESIGN CONCEPT OF THE PROJECT AND GENERAL COMPLIANCE WITH THE INFORMATION GIVEN IN THE CONTRACT DOCUMENTS. THE CONTRACTOR IS RESPONSIBLE FOR CONFIRMING AND CORRELATING ALL QUANTITIES AND DIMENSIONS, SELECTING FABRICATION PROCESSES AND TECHNIQUES OF CONSTRUCTION, COORDINATING THEIR WORK WITH THAT OF ALL OTHER TRADES, AND PERFORMING THEIR WORK IN A SAFE AND SATISFACTORY MANNER.


 CLD Consulting Engineers
 540 Commercial Street
 Manchester, NH 03101
 603-498-8252

Job Number: 150223
 Reviewed by: SRB
 Date: 06/03/2016

Vermont Agency of Transportation

RECEIVED

ON: June 2, 2016
and Checked for

CONFORMANCE

BY: Jennifer Fitch DATE: 06/03/16

ITEM #: 900.640



APPROVED BY:

SHEET 3 OF 5

BRIDGE RAIL DETAILS SHEET

BRATTLEBORO BR 2000 (26)
VERMONT

R	NO.	DATE	DESCRIPTION	BY	R	NO.	DATE	DESCRIPTION	BY
E	1	6/2/16	REVISED PER 5/18/16 DWG REVIEW	E.P.	E				
V					V				

	ELDERLEE, INC. OAKS CORNERS, NEW YORK 14518 E-Mail: dlong@elderlee.com Tel: 315-789-6670 Fax: 315-789-6615		DRAWN	E.P.	5/4/16
			CHECKED	D.L.	5/4/16
			APPROVED		
			SCALE	SCHEMATIC	
			DRAWING NO. F.R. LAFAYETTE-BRATTLEBORO (26)		