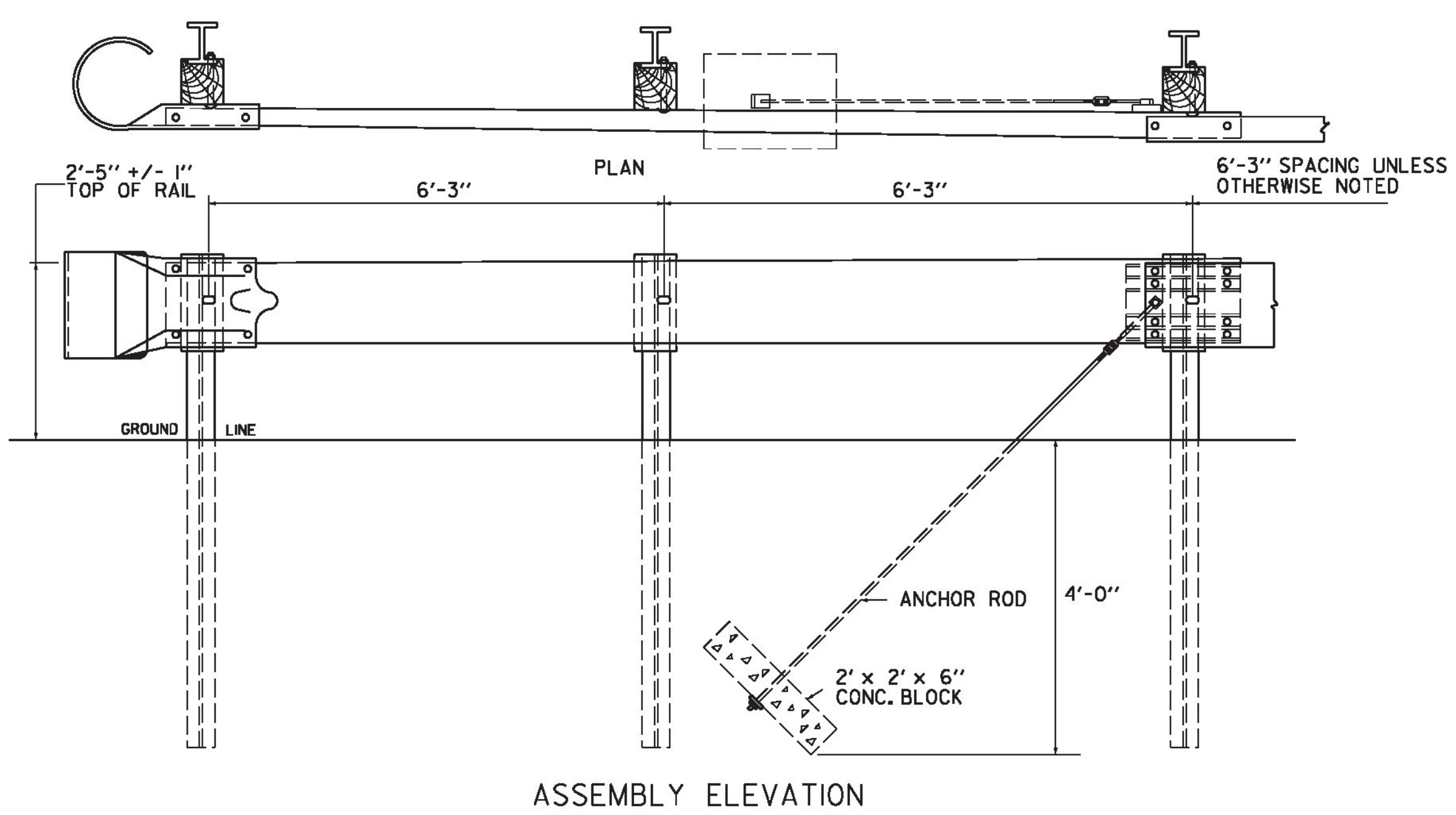


APPROACH END DETAIL
 NHS APPROVED FOR USE WHERE DESIGN SPEED IS 40 OR LESS MPH
 NON-NHS APPROVED FOR USE WHERE DESIGN SPEED IS 50 OR LESS MPH

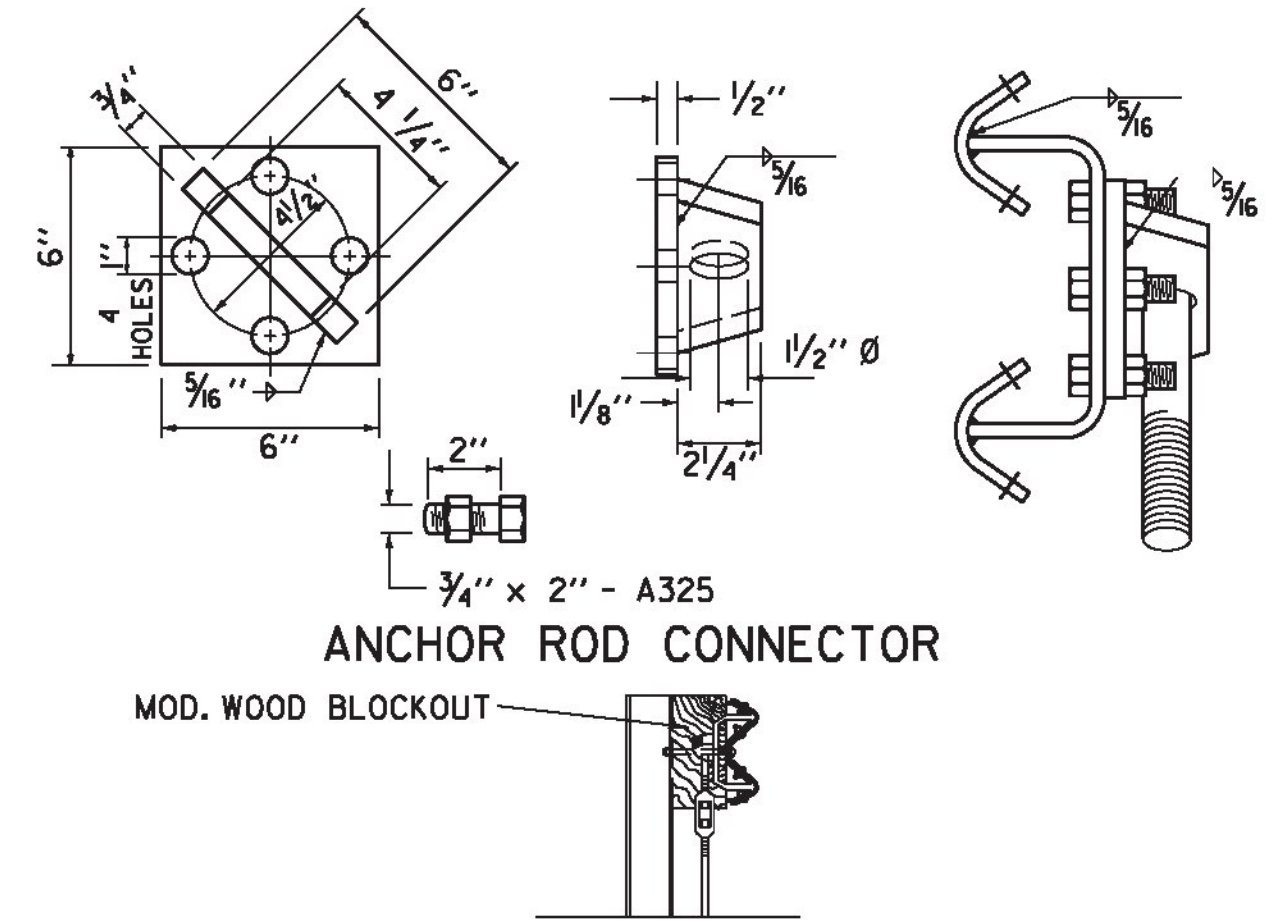


ASSEMBLY ELEVATION

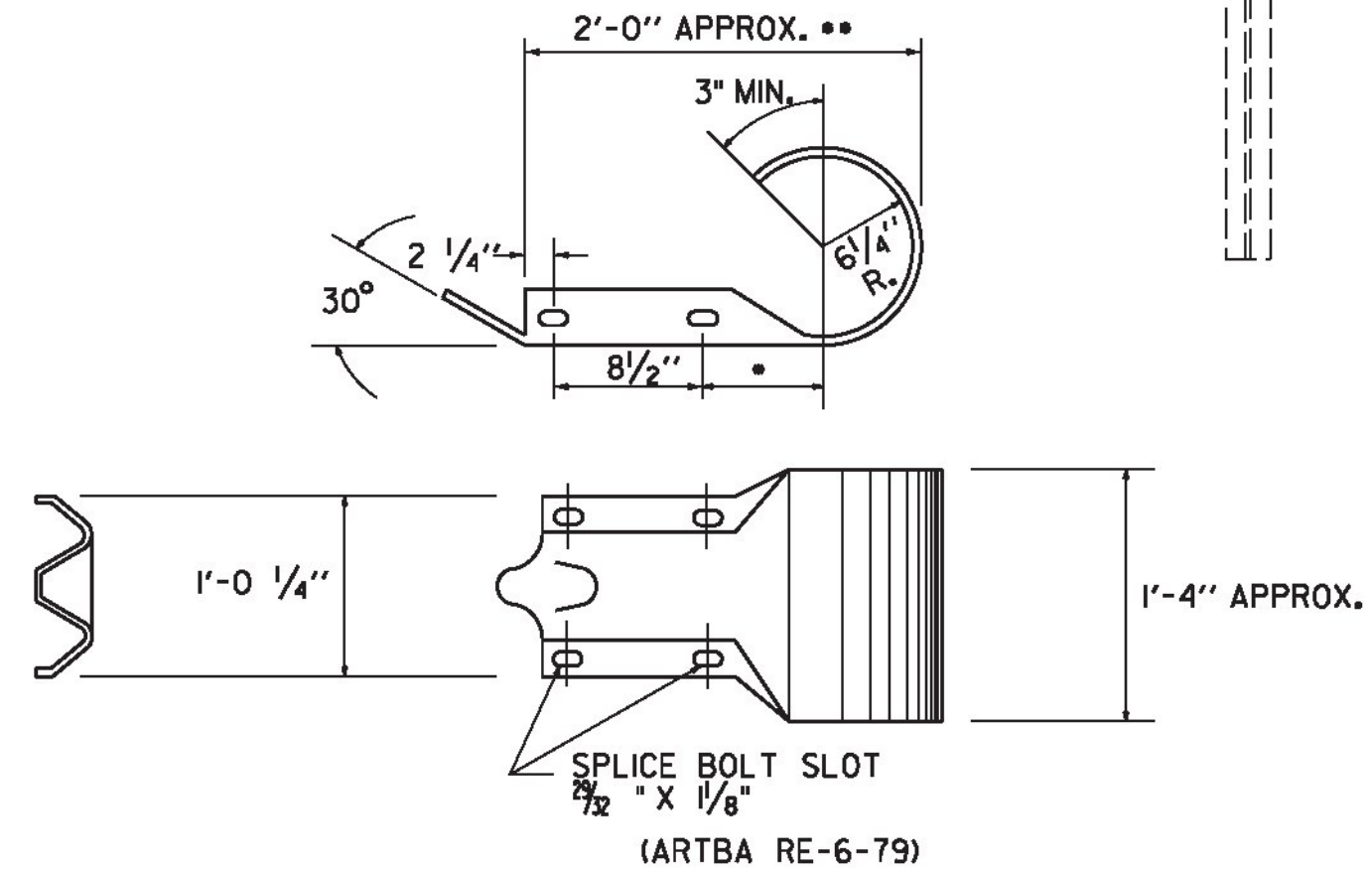
TRAILING END TERMINAL FOR USE ON ONE-WAY HIGHWAYS

GENERAL NOTES:

1. ALL METAL PARTS SHALL BE GALVANIZED
2. ALL WOOD POSTS SHALL BE GIVEN A PRESERVATIVE TREATMENT
3. DETAILS PERTINENT TO THE STANDARD INSTALLATION OF "W" BEAM SECTIONS WILL BE FOUND ON STANDARD DRAWING G-1.
4. FOR DESCRIPTION AND SPECIFICATIONS OF PARTS IDENTIFIED BY "ARTBA..." AND OTHER DETAILS OF POSTS, POST ACCESSORIES, FASTENERS AND RAIL ELEMENTS, SEE AASHTO-ACC-ARTBA JOINT TASK FORCE NO. 13, TITLED "A GUIDE TO STANDARDIZED HIGHWAY BARRIER HARDWARE", LATEST EDITION.
5. THE TRANSITION FROM THE APPROACH END TO THE STANDARD STEEL BEAM GUARDRAIL SHALL BE 25'-0" UNLESS OTHERWISE SPECIFIED.
6. WHEN STANDARD STEEL BEAM CONNECTS TO BRIDGE APPROACH RAIL OF A DIFFERENT HEIGHT THE LENGTH NEEDED TO TRANSITION THE HEIGHT OF STANDARD STEEL BEAM TO MATCH THE BRIDGE APPROACH RAIL SHALL BE 25'-0" UNLESS OTHERWISE SPECIFIED.
7. WHEN STANDARD STEEL BEAM CONNECTS TO A MANUFACTURED TERMINAL SECTION OF A DIFFERENT HEIGHT THE LENGTH NEEDED TO TRANSITION THE HEIGHT OF STANDARD STEEL BEAM TO MATCH THE MANUFACTURED TERMINAL SECTION SHALL BE 25'-0" UNLESS OTHERWISE SPECIFIED.

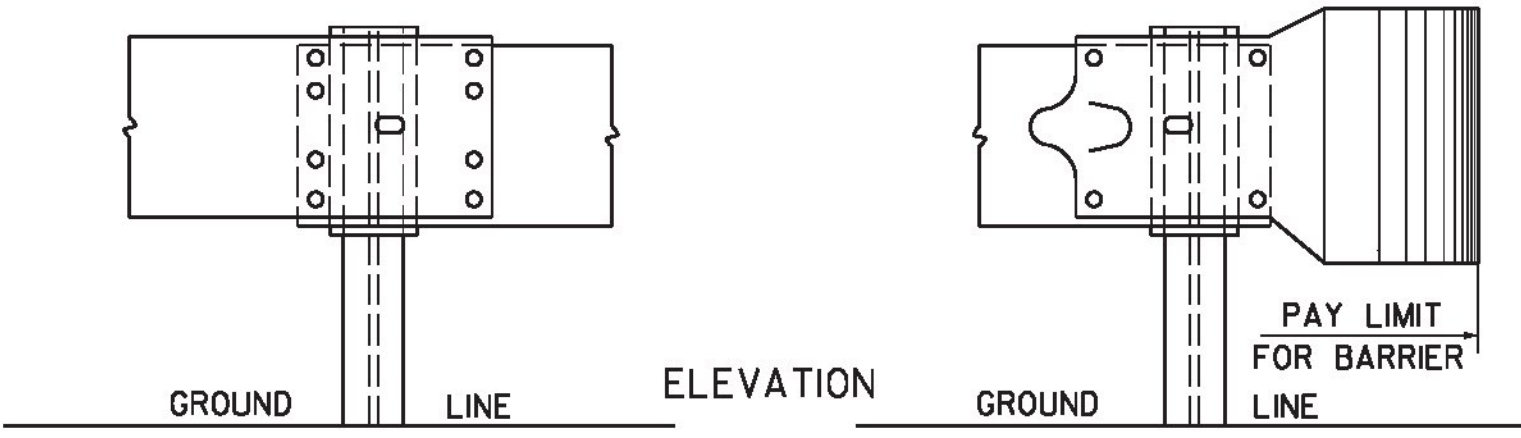


ANCHOR ROD CONNECTOR

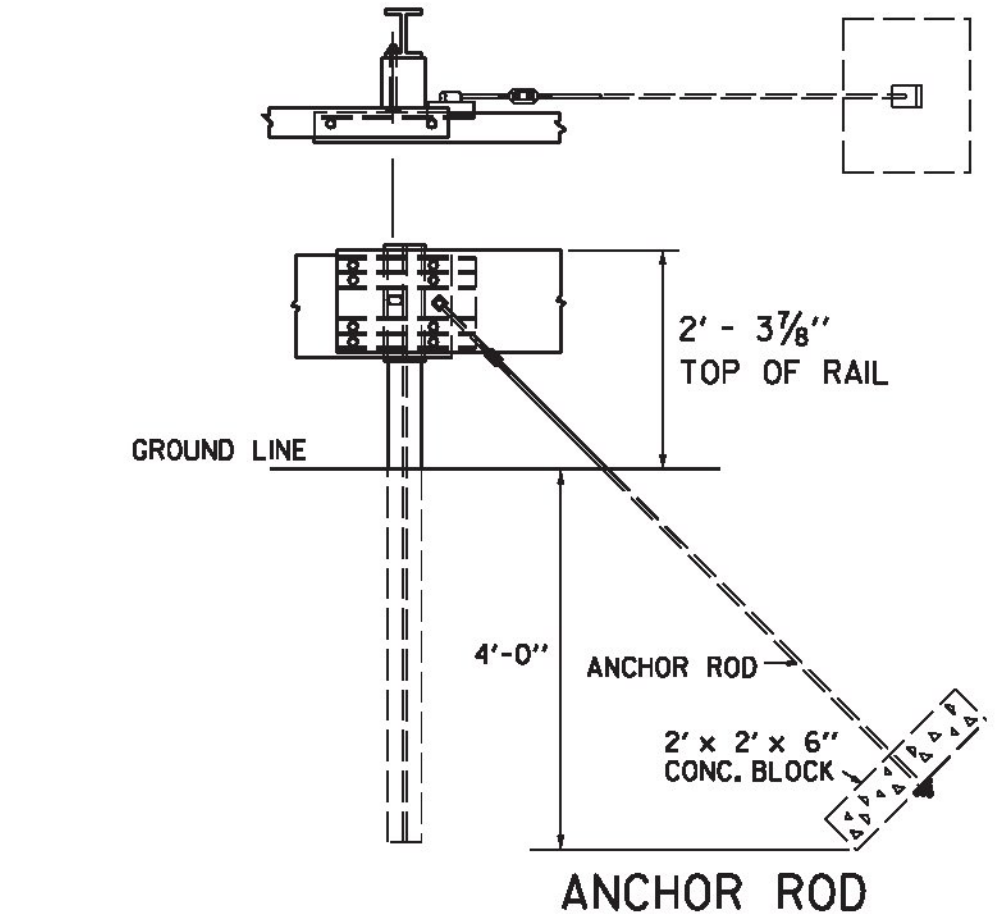


ROUNDED "W" BEAM END SECTION

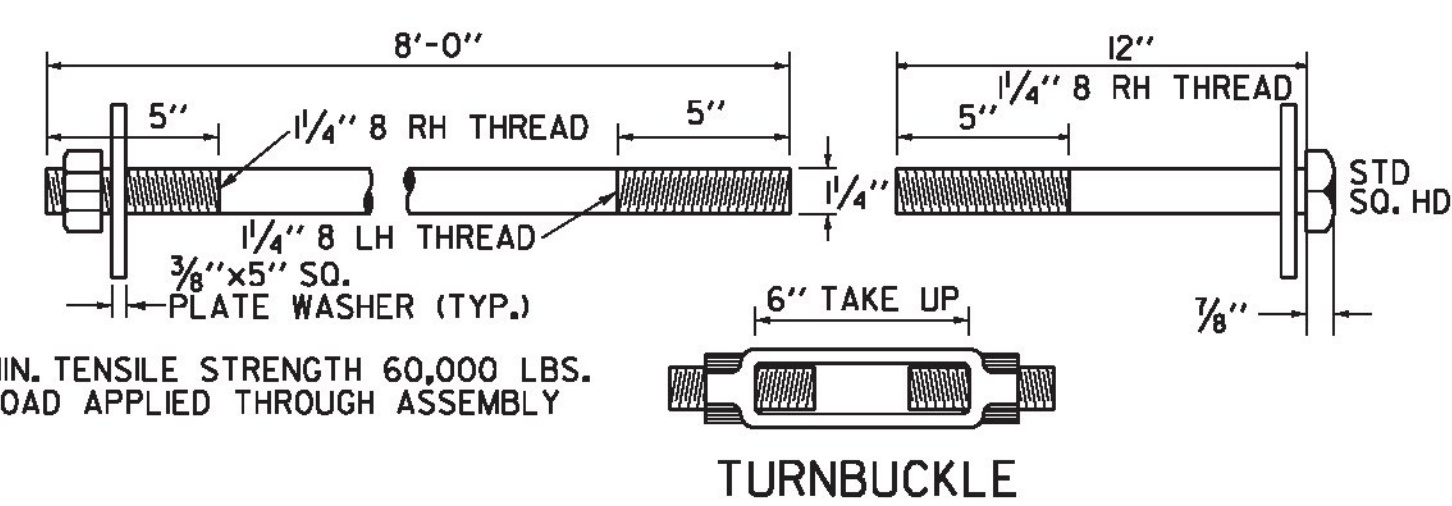
* THIS DIMENSION IS 7 1/2" INRE-7-79. IF THE DIMENSION IS USED IN THIS PART, IT WILL GIVE AN ACCEPTABLE OVERALL LENGTH (**) OF APPROXIMATELY 2'-11/2."



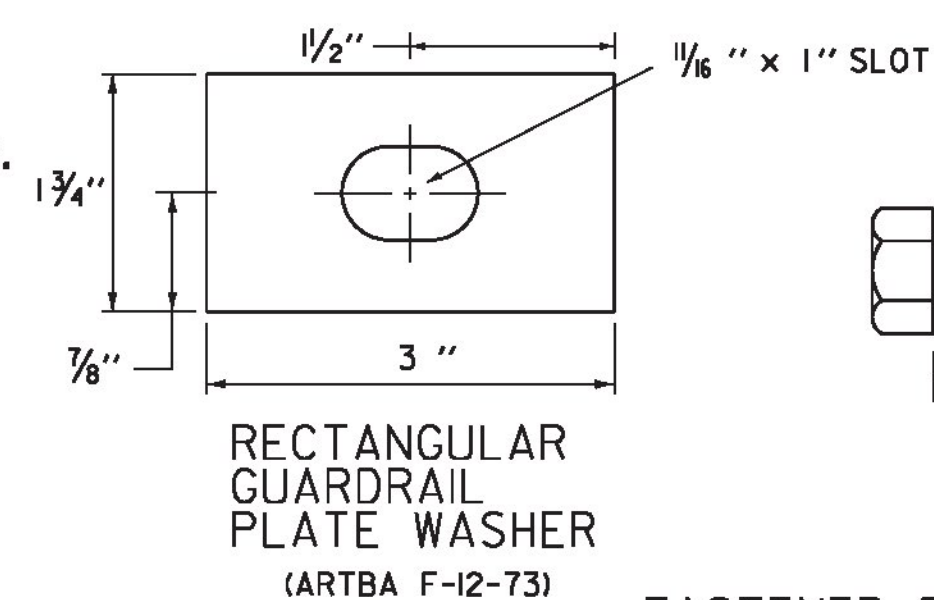
STEEL BEAM MEDIAN BARRIER
 NOTE: TO BE USED OUTSIDE CLEAR ZONE ONLY.



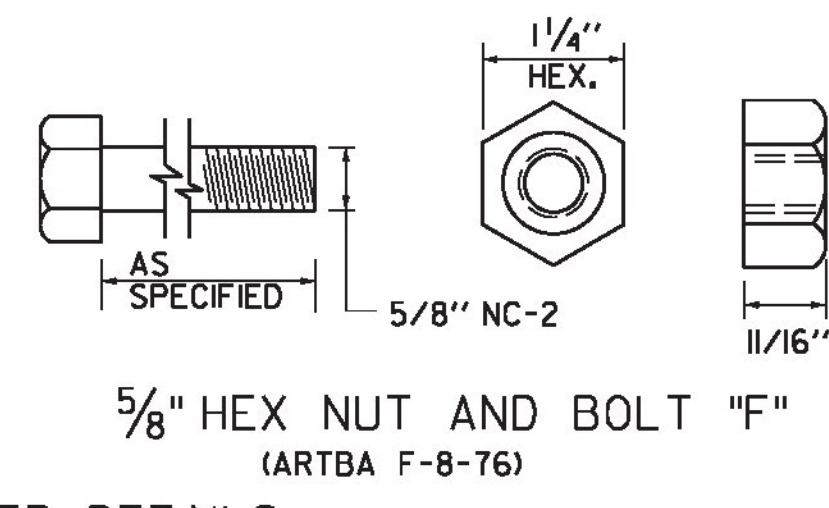
ANCHOR ROD



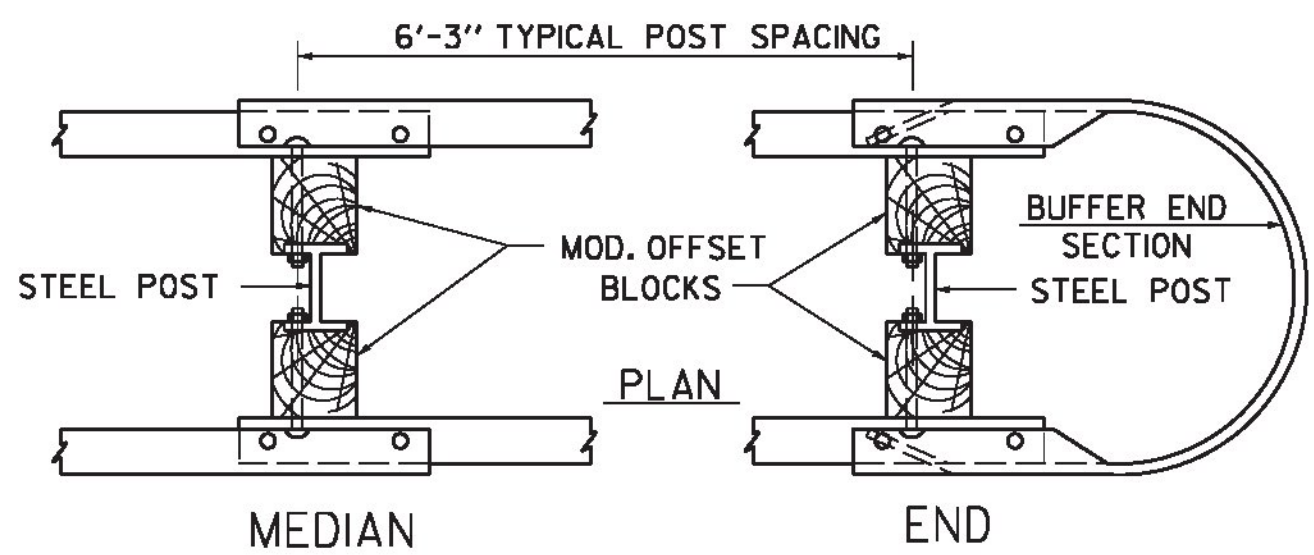
TURNBUCKLE



RECTANGULAR GUARDRAIL PLATE WASHER (ARTBA F-12-73)



FASTENER DETAILS



STEEL BEAM MEDIAN BARRIER

OTHER STANDARD REQUIRED: G-1

REVISIONS AND CORRECTIONS
 JUNE 1, 1994 - REISSUED, WITHOUT CHANGE, UNDER NEW SIGNATURES.
 JAN. 3, 2000 - UPDATED TO REFLECT METRIC STD. CHANGES
 FEB. 10, 2014 - UPDATED TO REFLECT GUARDRAIL HEIGHT OF 29"; AS NOTED IN FHWA LETTER DATED MAY 17, 2010

APPROVED
[Signature]
 HIGHWAY SAFETY & DESIGN ENGINEER
[Signature]
 DIRECTOR OF PROGRAM DEVELOPMENT
[Signature]
 FEDERAL HIGHWAY ADMINISTRATION

STEEL BEAM GUARDRAIL APPROACH END TERMINAL
 STEEL BEAM GUARDRAIL TRAILING END TERMINAL
 ANCHOR FOR STEEL BEAM GUARDRAIL
 STEEL BEAM MEDIAN BARRIER



STANDARD
 G-1d