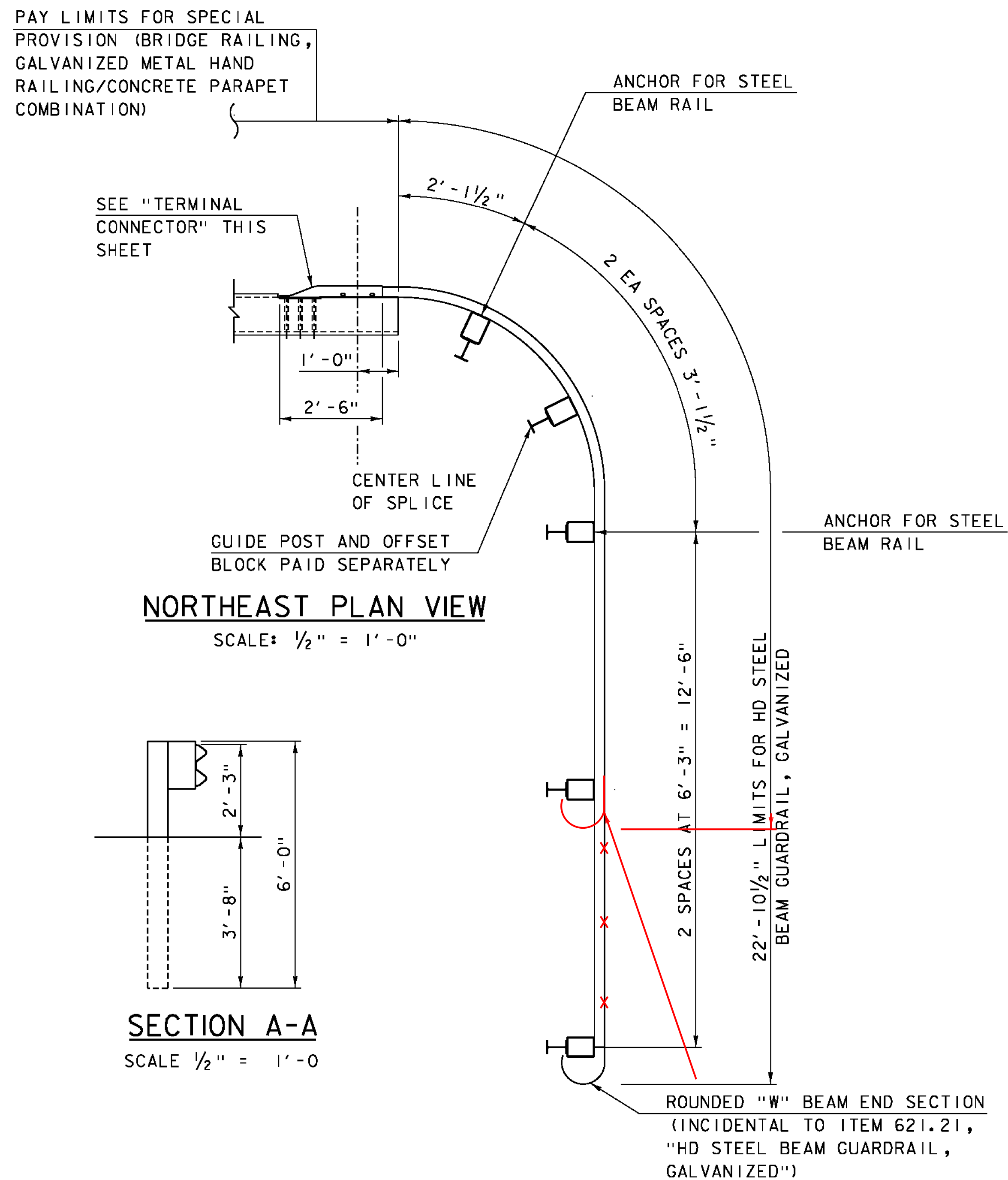


NORTHWEST PLAN VIEW

SCALE: 1/2" = 1'-0"

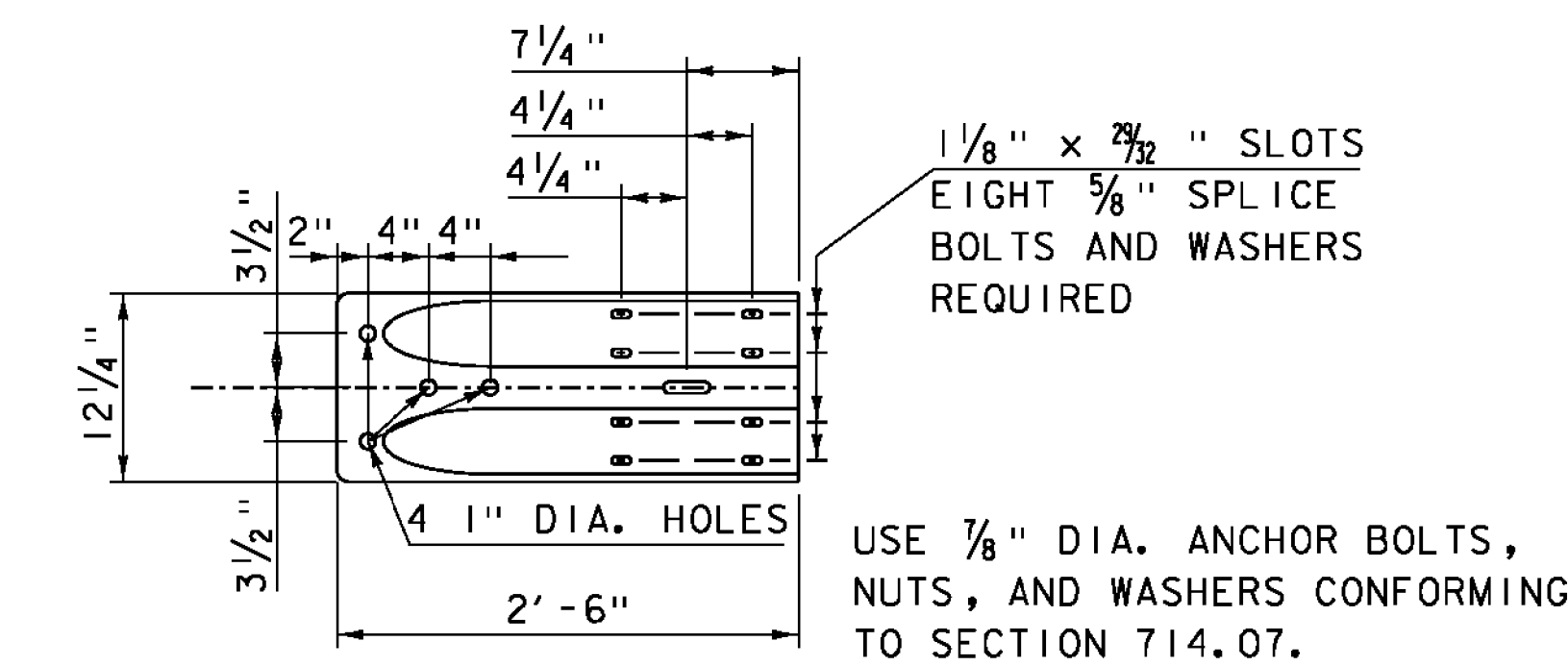
NOTES

1. A COMPOSITE MATERIAL POST AND/OR BLOCKOUT FROM THE APPROVED PRODUCTS LIST MAY BE SUBSTITUTED FOR A POST AND/OR BLOCKOUT OF SIMILAR DIMENSIONS.
2. REFER TO STANDARD DRAWINGS G-1 AND G-1d FOR ADDITIONAL DETAILS.
3. THE TERMINAL CONNECTOR TO BRIDGE RAIL AND THE CONNECTION PLATE SHALL BE INCLUDED IN THE BID PRICE FOR ITEM 900.640, "SPECIAL PROVISION (BRIDGE RAILING, GALVANIZED METAL HAND RAILING/CONCRETE PARAPET COMBINATION)".



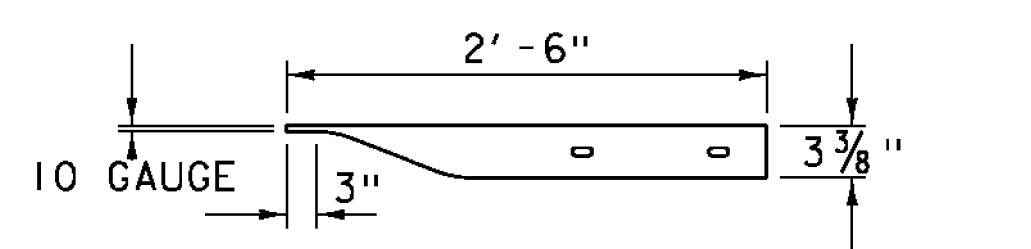
NORTHEAST PLAN VIEW

SCALE: 1/2" = 1'-0"



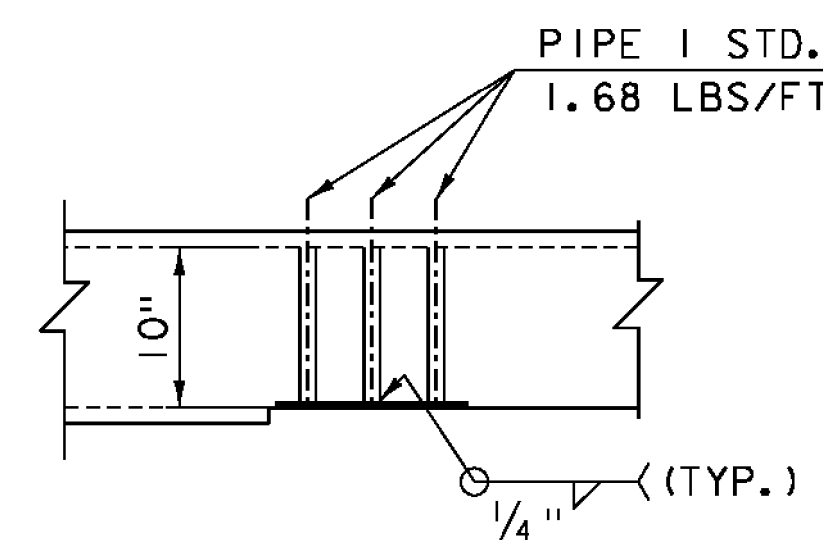
TERMINAL CONNECTOR ELEVATION

SCALE 1" = 1'-0"



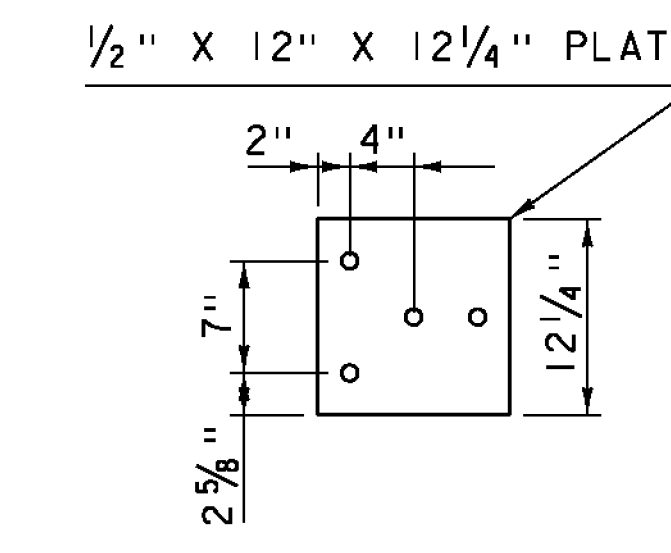
TERMINAL CONNECTOR PLAN

SCALE 1" = 1'-0"



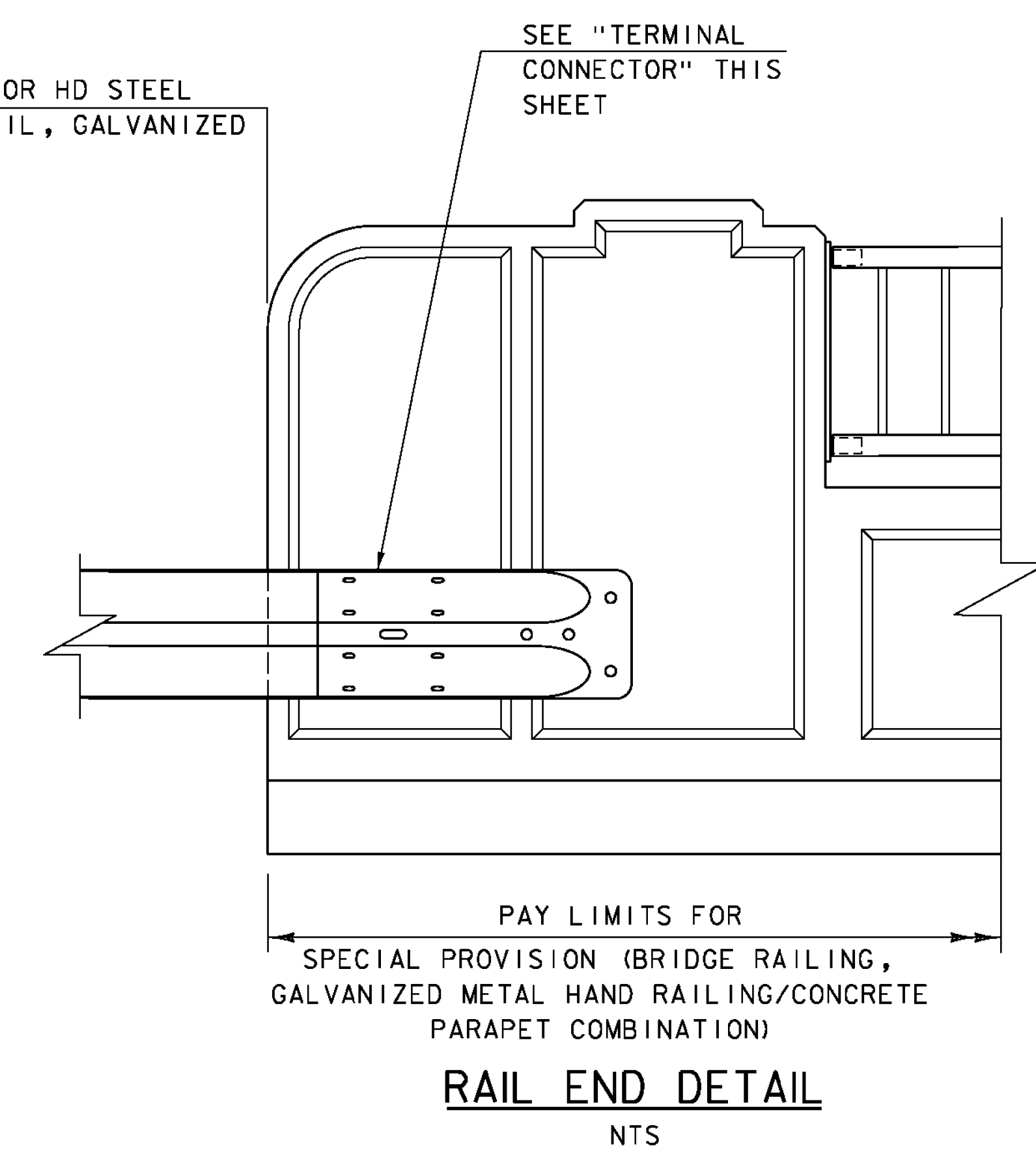
CONNECTION PLATE DETAIL - PLAN

SCALE 1" = 1'-0"



CONNECTION PLATE DETAIL - ELEVATION

SCALE 1" = 1'-0"



RAIL END DETAIL

NTS

THE USE OF THIS RAILING IS RESTRICTED TO DESIGN SPEEDS OF 45 MPH OR LESS.

PROJECT NAME: BRATTLEBORO
PROJECT NUMBER: BF 2000(26)

FILE NAME: z15j091rall_bdr-3l.dgn
PROJECT LEADER: J. BYATT
DESIGNED BY: N. CARON
APPROACH RAIL DETAILS SHEET

PLOT DATE: 2/5/2016
DRAWN BY: M. SMITH
CHECKED BY: S. BEAUMONT
SHEET 23 OF 26

