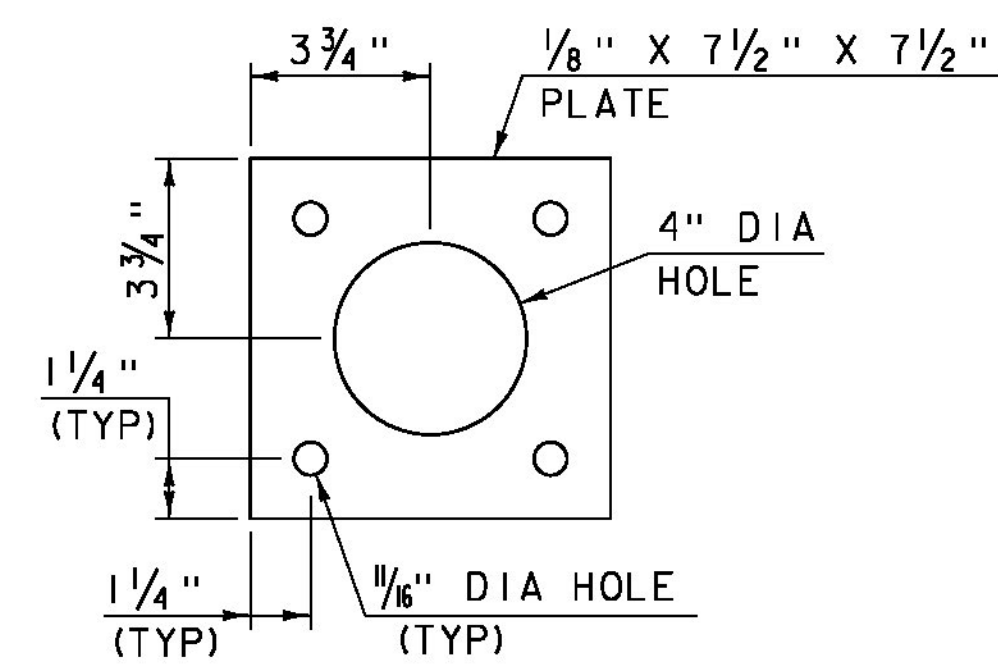


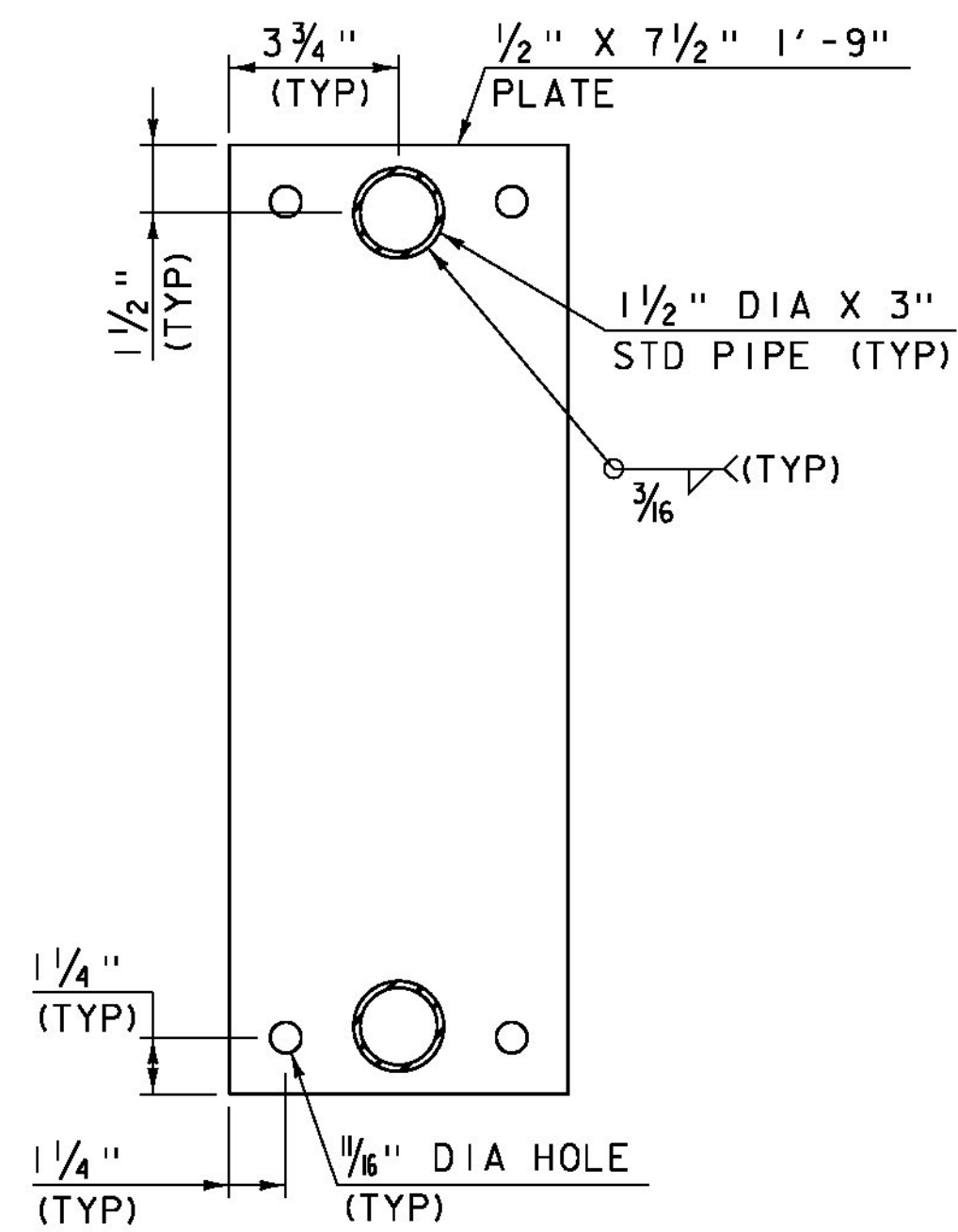
POST BASE PLATE

SCALE: 3" = 1'-0"



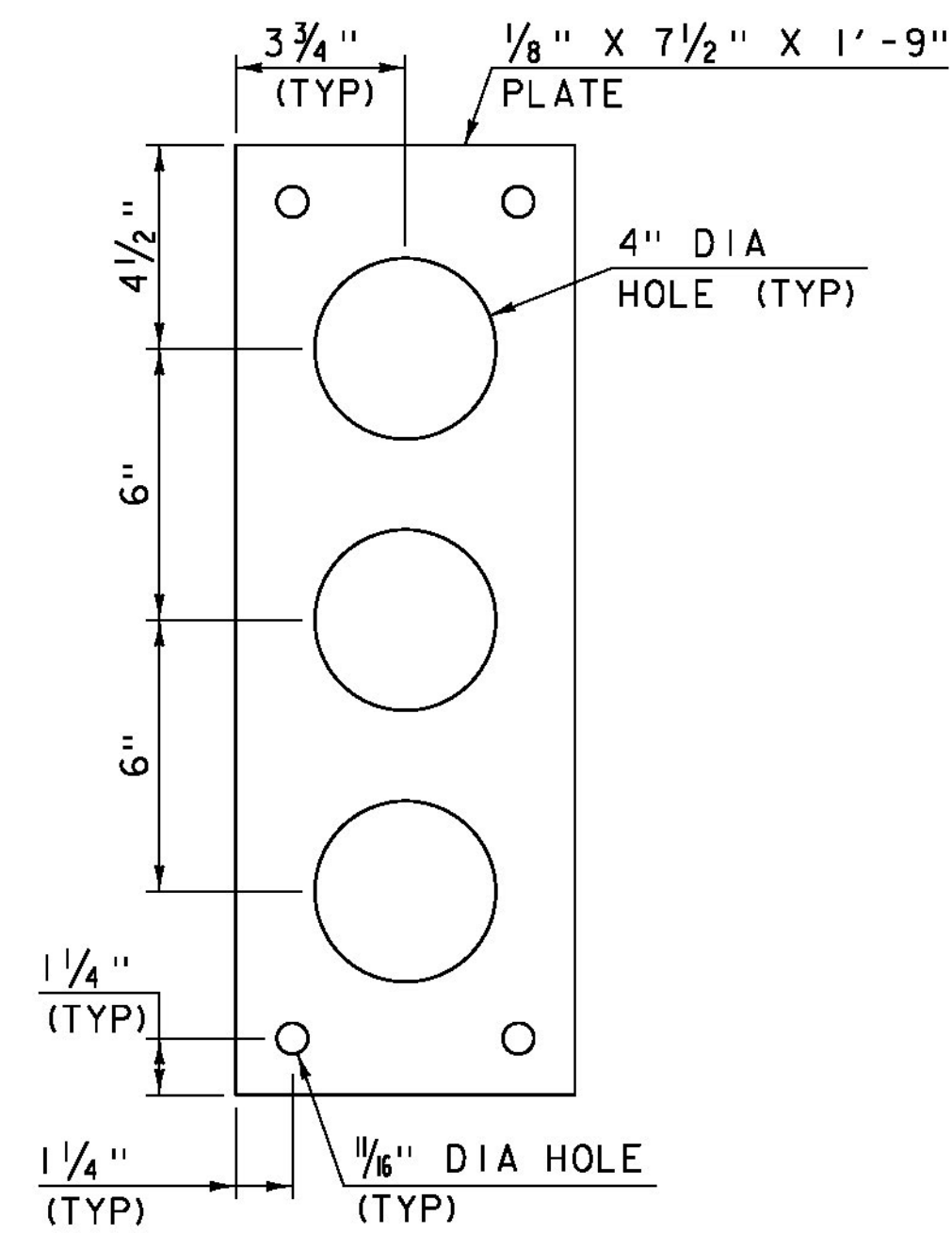
POST ANCHORAGE PLATE

SCALE: 3" = 1'-0"



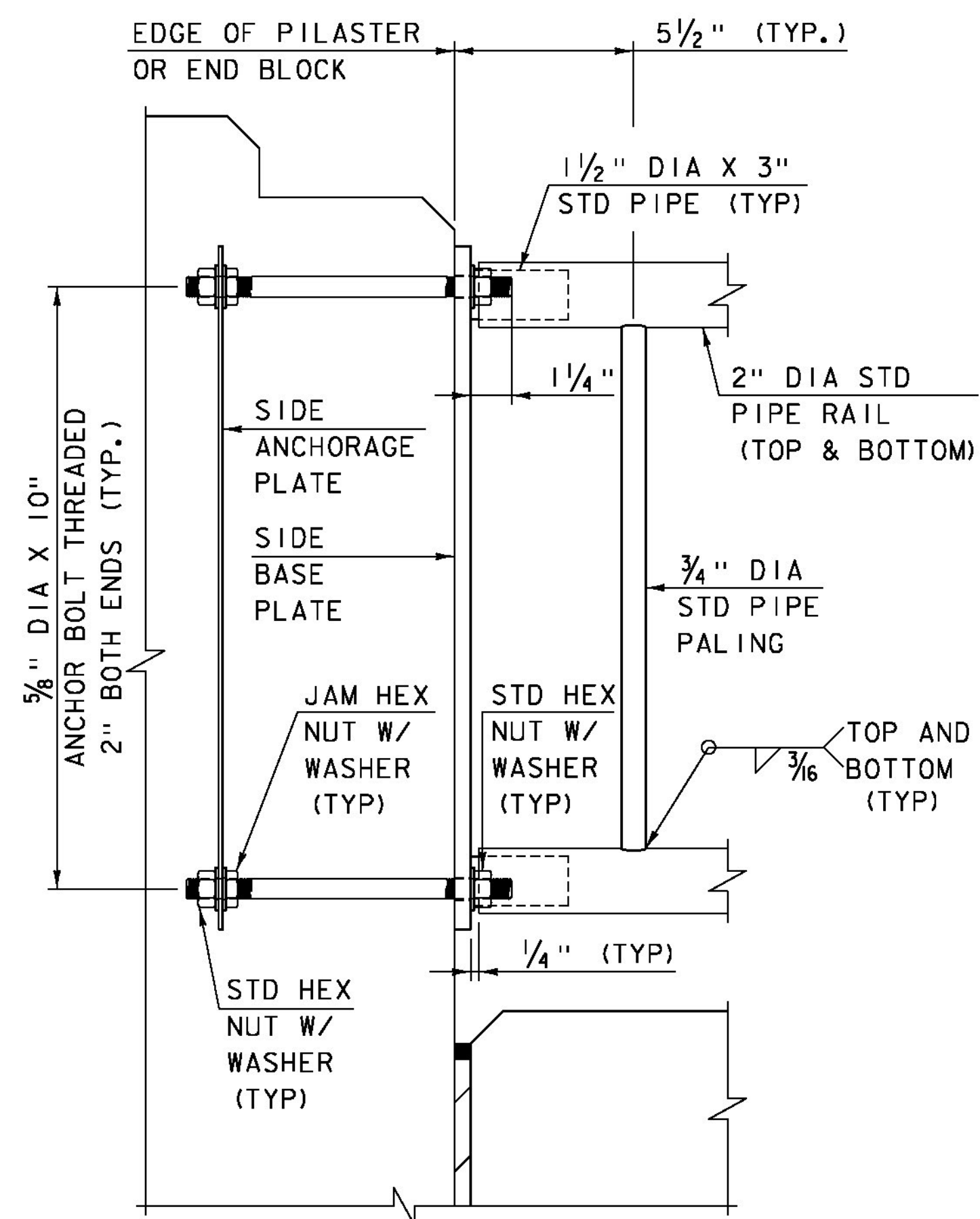
SIDE BASE PLATE

SCALE: 3" = 1'-0"



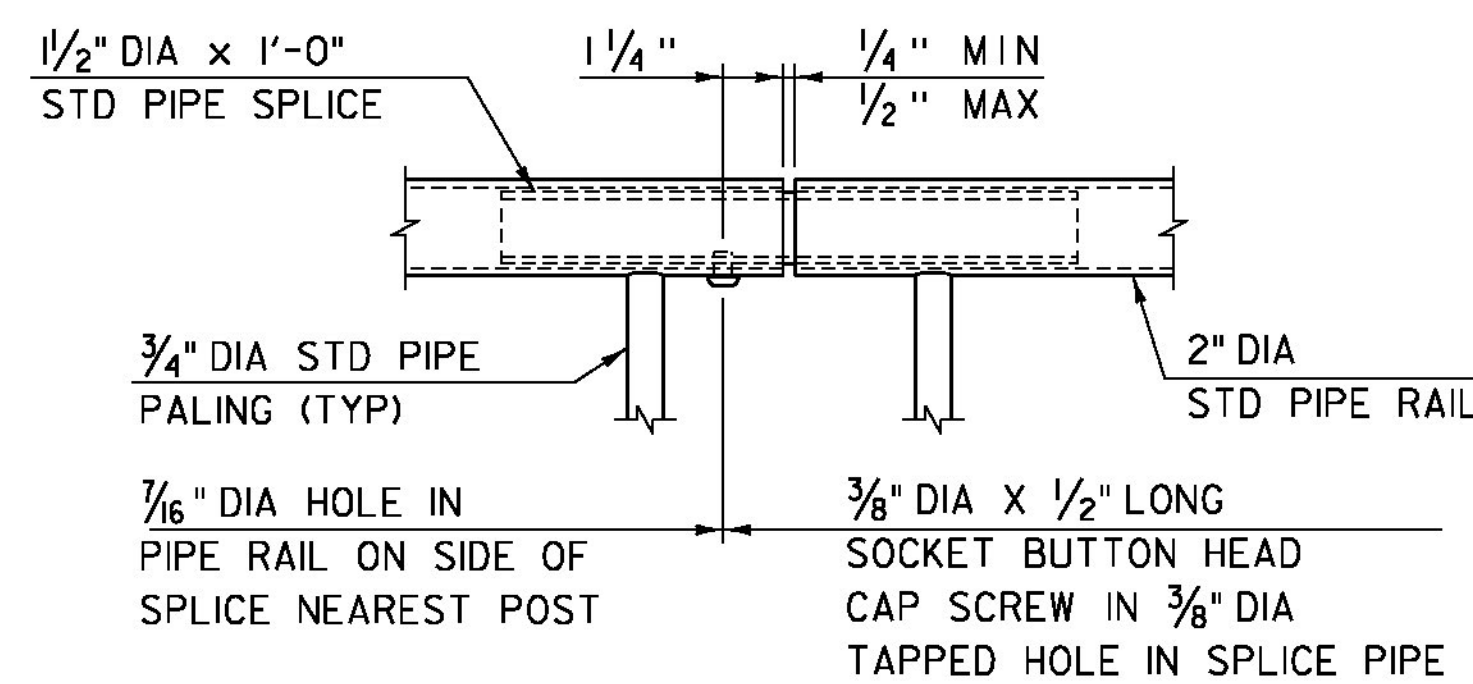
SIDE ANCHORAGE PLATE

SCALE: 3" = 1'-0"



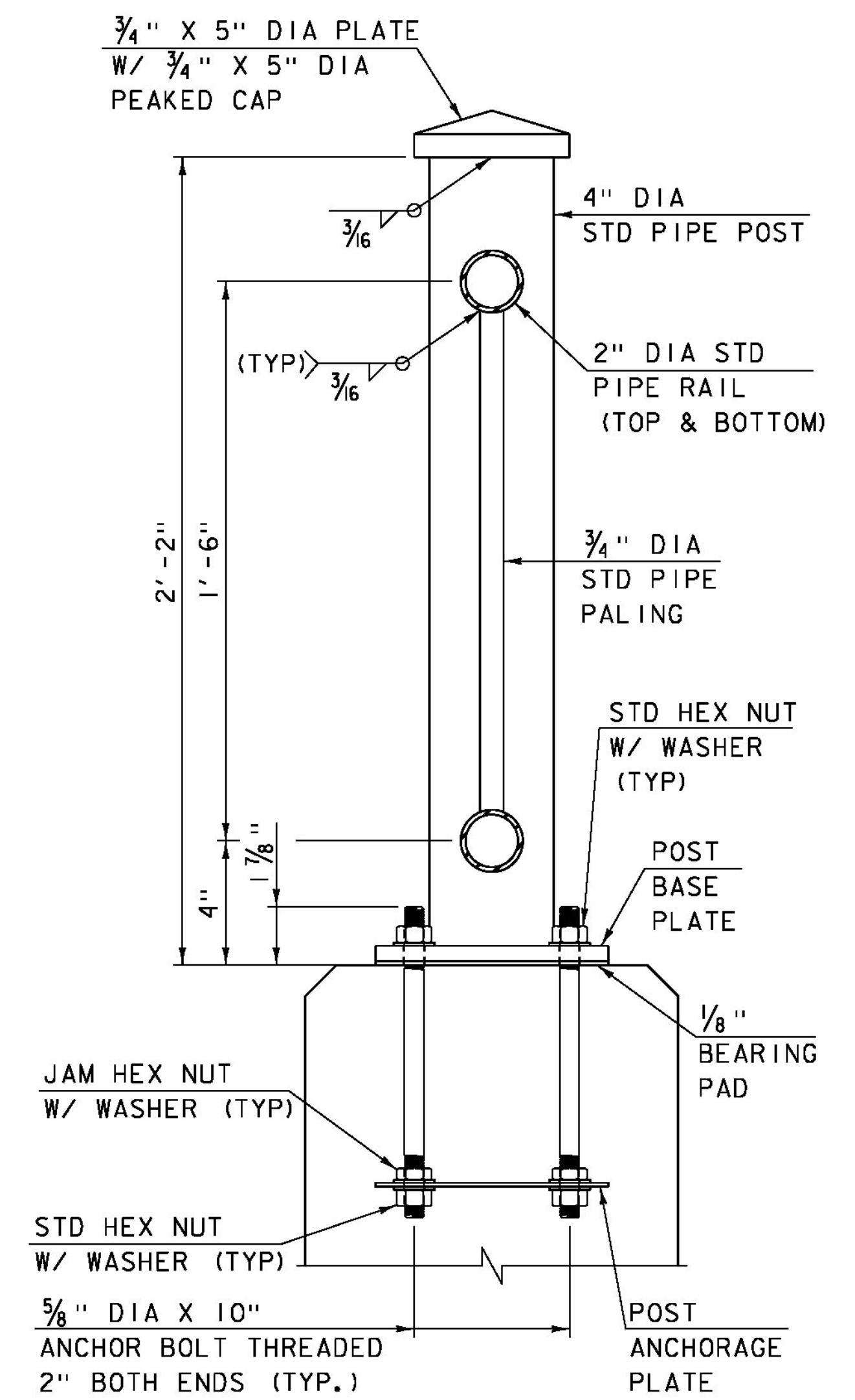
SIDE PLATE CONNECTION DETAIL

SCALE: 3" = 1'-0"



RAIL SPLICE DETAIL

SCALE: 3" = 1'-0"



METAL RAILING DETAIL

SCALE: 3" = 1'-0"

MODEL: Sheet05
GLD IS-0223



PROJECT NAME: BRATTLEBORO
PROJECT NUMBER: BF 2000(26)

FILE NAME: z15J091rail_bdr-31.dgn
PROJECT LEADER: J. BYATT
DESIGNED BY: M. SMITH
BRIDGE RAIL DETAILS SHEET 4

PLOT DATE: 2/5/2016
DRAWN BY: M. SMITH
CHECKED BY: N. CARON
SHEET 22 OF 26