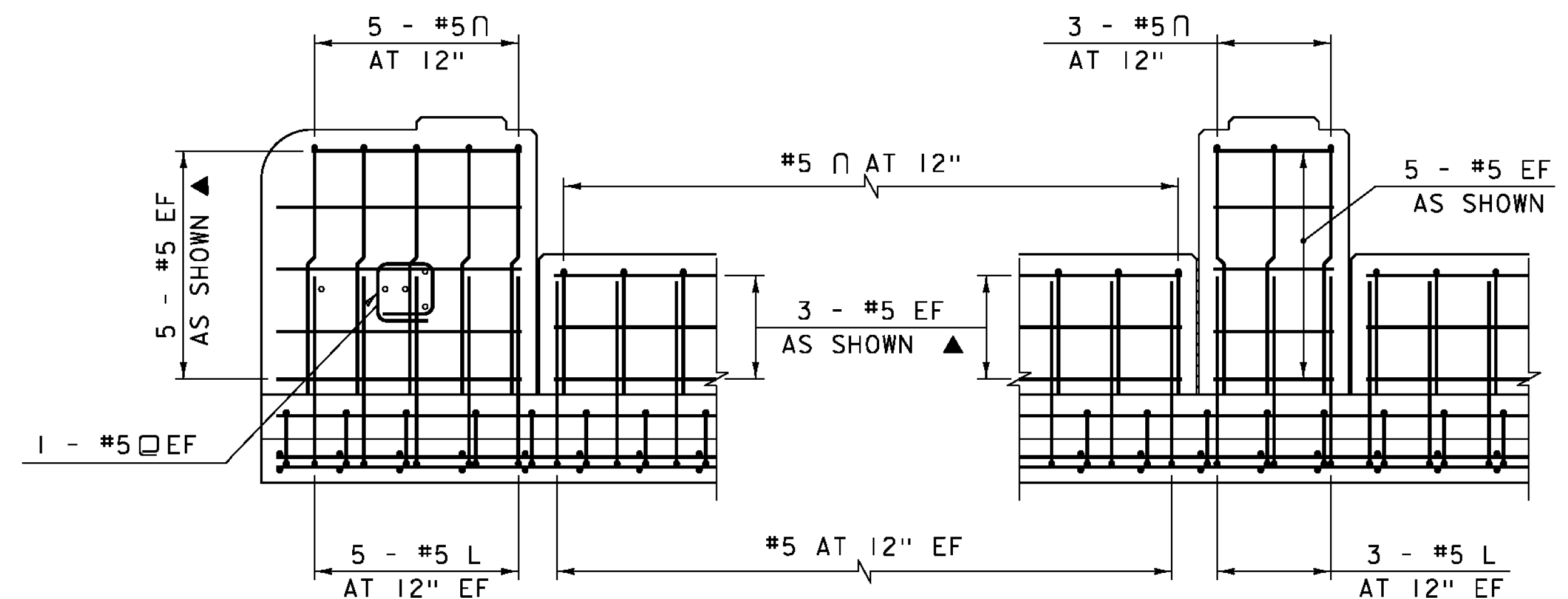
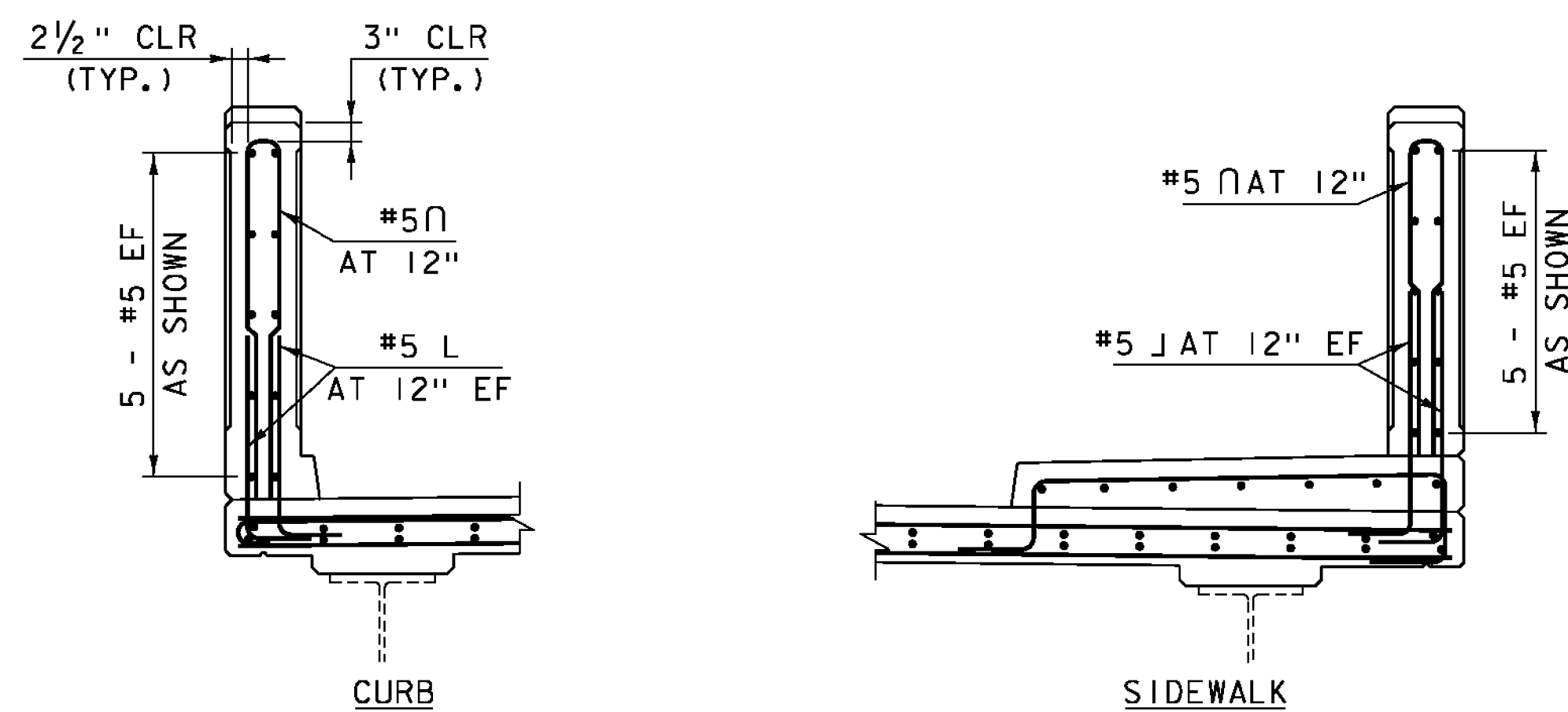


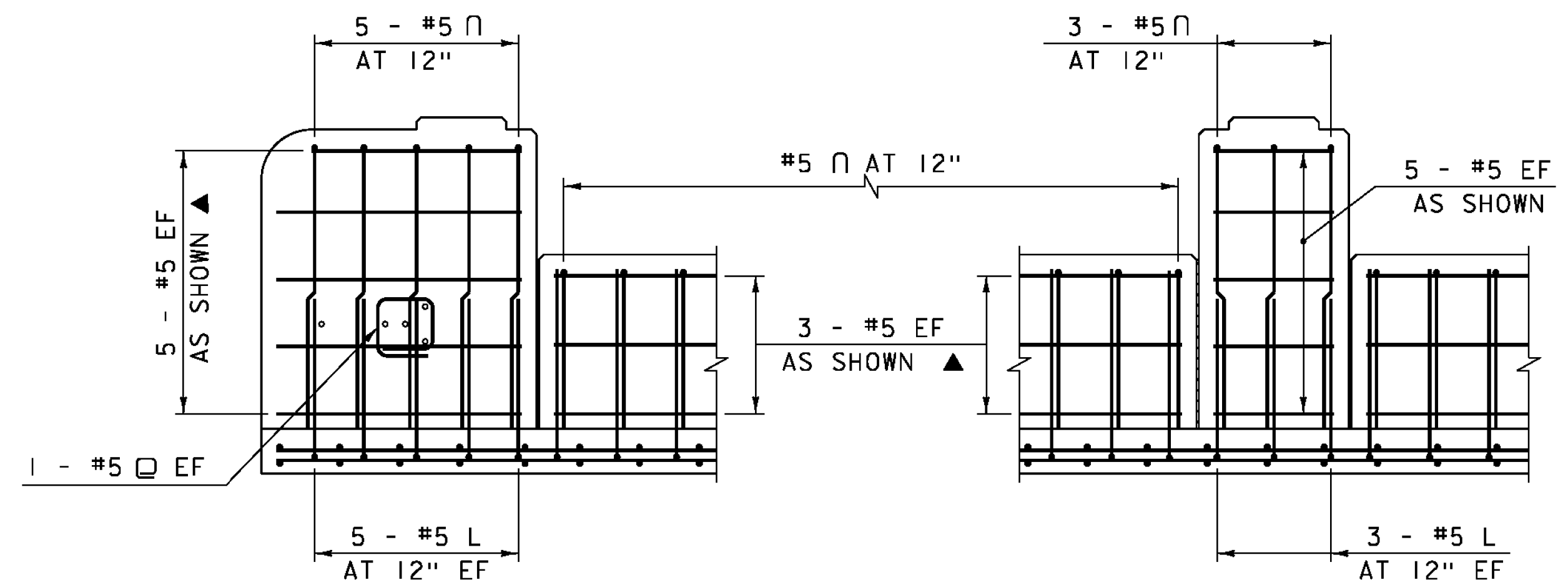
TYPICAL CONCRETE BASE PARAPET SECTIONS
SCALE: 1/2" = 1'-0"



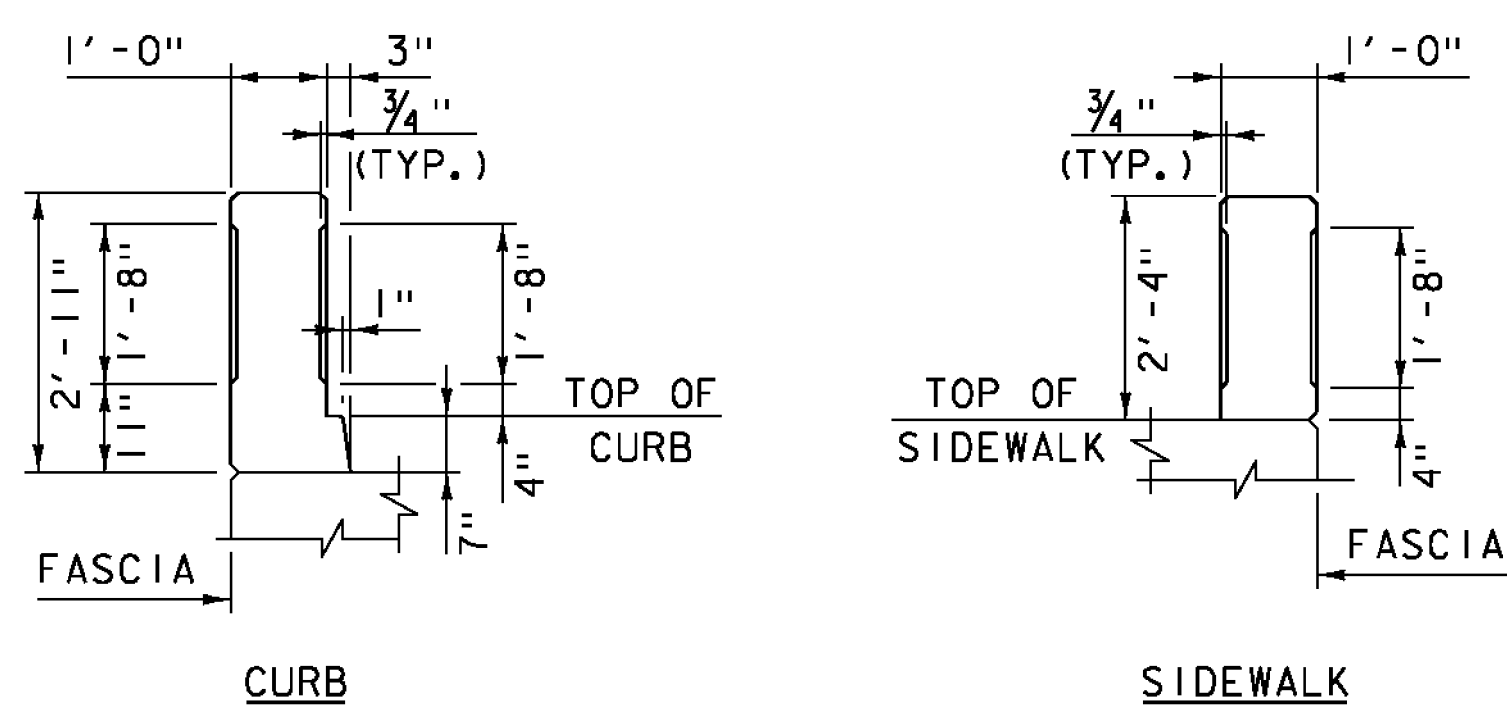
TYPICAL REINFORCING SIDEWALK SIDE
SCALE: 1/2" = 1'-0"



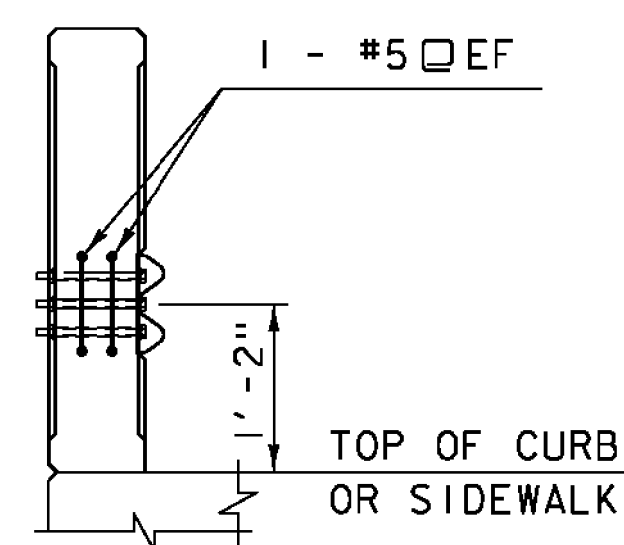
TYPICAL INTERMEDIATE PILASTER SECTIONS
SCALE: 1/2" = 1'-0"
(END PILASTERS ARE SIMILAR)



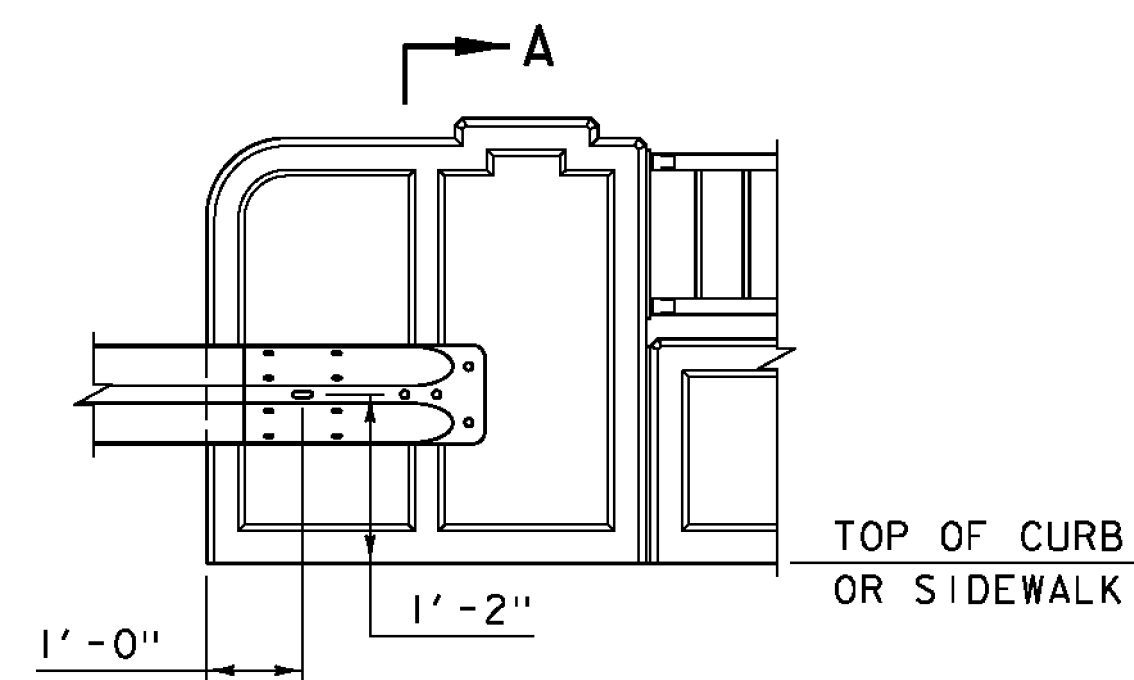
TYPICAL REINFORCING CURB SIDE
SCALE: 1/2" = 1'-0"



CONCRETE INSERT DETAILS
SCALE: 1/2" = 1'-0"



SECTION "A-A"
SCALE: 1/2" = 1'-0"



TERMINAL CONNECTOR LOCATION
SCALE: 1/2" = 1'-0"

NOTE:

NF = NEAR FACE
 FF = FAR FACE
 EF = EACH FACE
 ALL REINFORCING ON THIS SHEET SHALL BE LEVEL I EPOXY COATED REINFORCING STEEL
 ▲ = CUT TO FIT IN FIELD
 3" CLEAR, UNLESS OTHERWISE SPECIFIED ON THE PLANS.
 2'-2" BAR LAP UNLESS OTHERWISE SPECIFIED ON THE PLANS.



PROJECT NAME: BRATTLEBORO
 PROJECT NUMBER: BF 2000(26)

FILE NAME: z15j091r011_bdr-31.dgn
 PROJECT LEADER: J. BYATT
 DESIGNED BY: M. SMITH
 BRIDGE RAIL DETAILS SHEET 3

PLOT DATE: 2/5/2016
 DRAWN BY: M. SMITH
 CHECKED BY: N. CARON
 SHEET 21 OF 26