

BRG. ABUT. 1  
(EXP.)

BRG. ABUT. 2  
(FIXED.)

90'-0"  
SPECIAL PROVISION (BRIDGE RAILING, GALVANIZED  
METAL HAND RAILING/CONCRETE PARAPET COMBINATION)

11'-6" HD STEEL  
BEAM GUARDRAIL,  
GALVANIZED

25'-0" MANUFACTURED  
TERMINAL SECTION, FLARED

2'-1/2"

6"

10'-11/2"

R = 96'-0"

ELLIOT ST (TH #446)  
TO US 5

2'-10"

0+00

221°-00'-00"± \*

1+00

83'-2 3/4"± \* (ALONG CENTERLINE OF RAIL)

ELLIOT ST (TH #446)  
TO US 5  
11'-10 3/4"± \*  
(ALONG  
CENTERLINE  
OF RAIL)

R = 5'-0"

ANCHOR FOR  
STEEL BEAM RAIL

22'-10 1/2" HD STEEL BEAM  
GUARDRAIL, GALVANIZED

REMOVE AND RESET  
EXISTING CONCRETE  
BARRIER WITH METAL  
HAND RAIL (PAID FOR  
UNDER ITEM 621.95)

SEE INSERT "A"

ANCHOR FOR  
STEEL BEAM RAIL

95'-1 1/2"± \*  
SPECIAL PROVISION (BRIDGE RAILING, GALVANIZED  
METAL HAND RAILING/CONCRETE PARAPET COMBINATION)

END GUARDRAIL  
ROUNDED "W" BEAM END SECTION  
(INCIDENTAL TO ITEM 621.21,  
"HD STEEL BEAM GUARDRAIL,  
GALVANIZED")

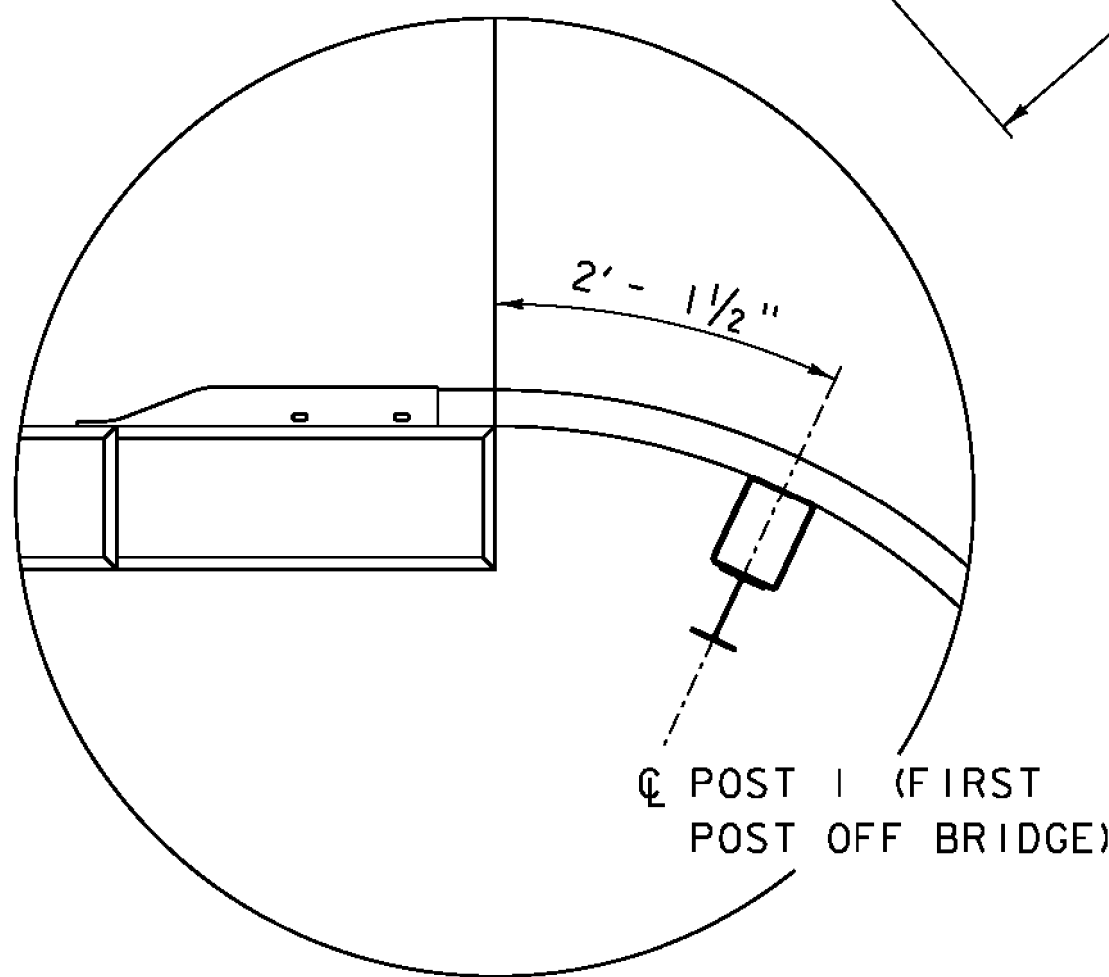
**RAIL LAYOUT**

SCALE: 3/6" = 1'-0"

\* DIMENSIONS ARE BASED ON FIELD MEASUREMENTS  
AND ARE APPROXIMATE. THE CONTRACTOR SHALL  
VERIFY EXISTING DIMENSIONS AND MAKE  
ADJUSTMENTS TO RAIL LAYOUT AS APPLICABLE.  
SEE SIDEWALK RAMP MASONRY PLAN ON SHEET 14.

**NOTES:**

1. REFER TO STANDARDS G-1 AND G-1d.
2. SEE BRIDGE AND APPROACH RAIL DETAILS ON SHEETS 19 TO 23.



**INSERT "A"**

(NE CORNER SHOWN, NW CORNER SIMILAR)  
SCALE: 3/4" = 1'-0"

PROJECT NAME: BRATTLEBORO  
PROJECT NUMBER: BF 2000(26)

FILE NAME: z15j091rail\_bdr-31.dgn  
PROJECT LEADER: J. BYATT  
DESIGNED BY: M. SMITH  
RAIL LAYOUT SHEET

PLOT DATE: 2/5/2016  
DRAWN BY: M. SMITH  
CHECKED BY: N. CARON  
SHEET 18 OF 26

