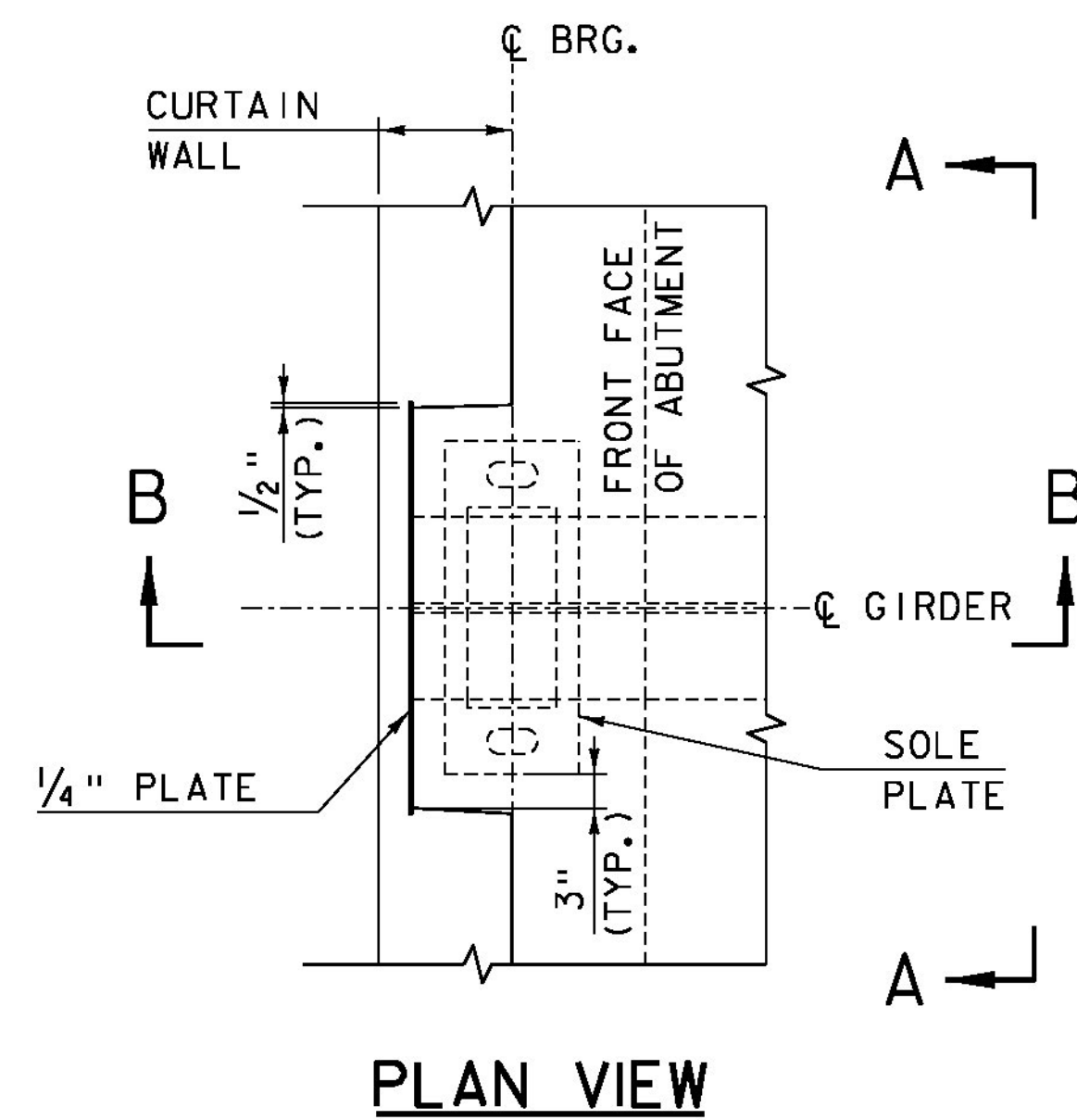


**SECTION A-A**

**SECTION B-B**



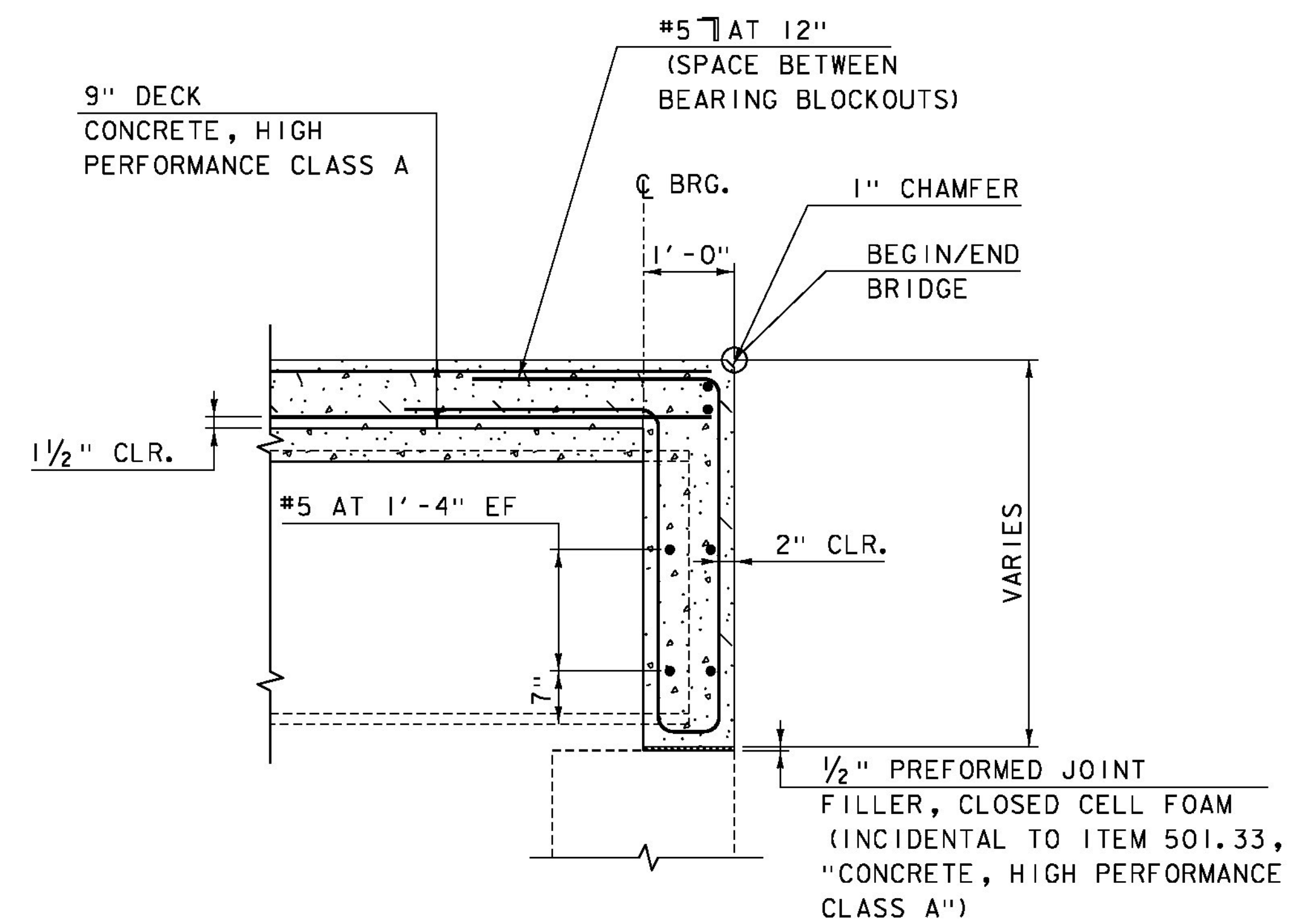
**PLAN VIEW**

**CONCRETE CURTAIN WALL  
BLOCKOUTS AROUND BEARINGS**

SCALE: 3/4" = 1'-0"

**NOTES:**

1. 3" CLEAR, UNLESS OTHERWISE SPECIFIED ON THE PLANS.
2. 3'-0" BAR LAP UNLESS OTHERWISE SPECIFIED ON THE PLANS.
3. EF = EACH FACE
4. SEE SHEET 15 FOR CURTAIN WALL MASONRY AND REINFORCEMENT ELEVATION.



**TYPICAL CURTAIN WALL SECTION**

SCALE: 3/4" = 1'-0"

PROJECT NAME: BRATTLEBORO  
PROJECT NUMBER: BF 2000(26)

FILE NAME: z15J091+yp-3i.dgn  
PROJECT LEADER: J. BYATT  
DESIGNED BY: S. BEAUMONT  
REMOVAL & CURTAIN WALL DETAILS SHEET 2

PLOT DATE: 2/5/2016  
DRAWN BY: M. SMITH  
CHECKED BY: N. CARON  
SHEET 16 OF 26