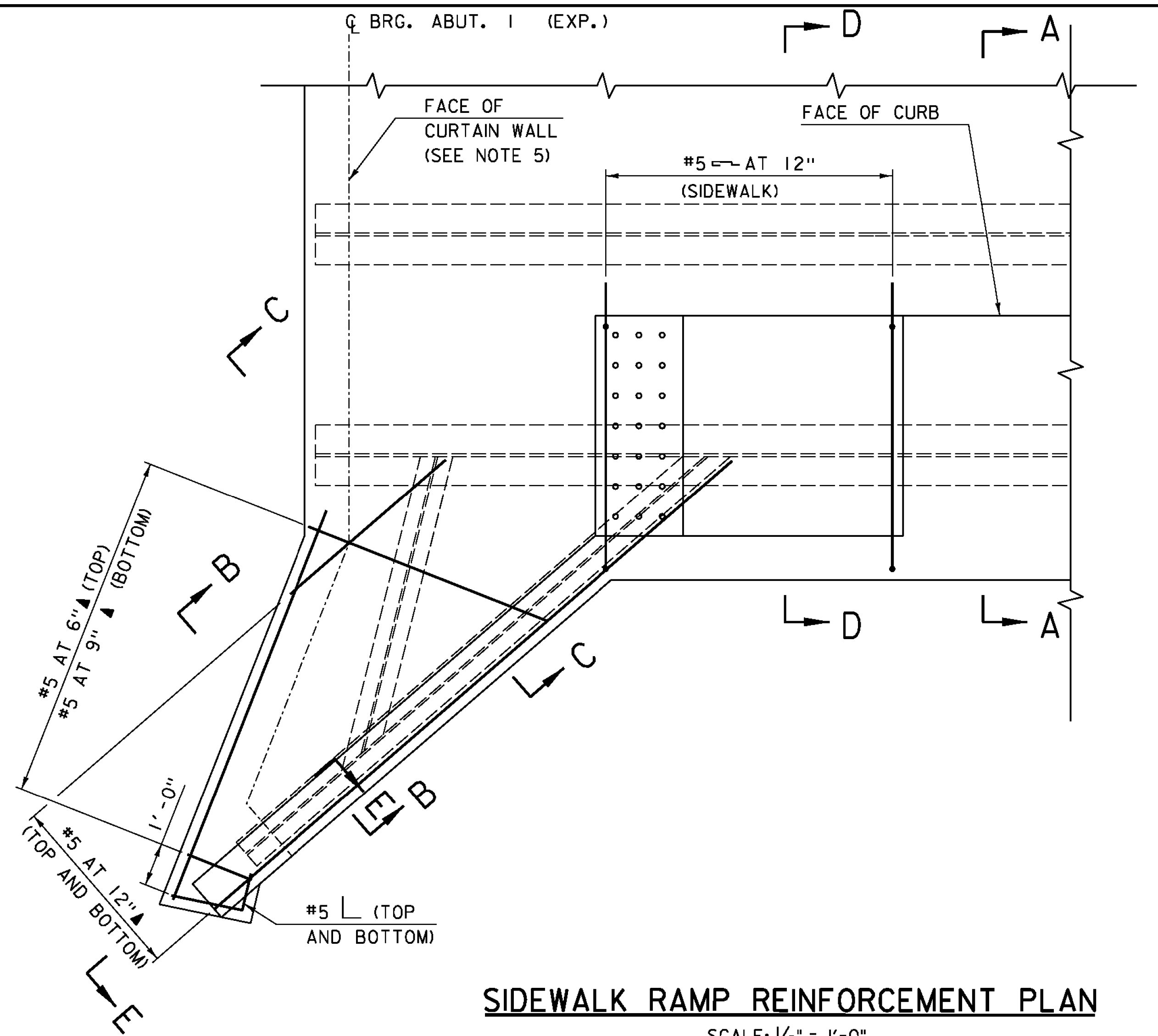
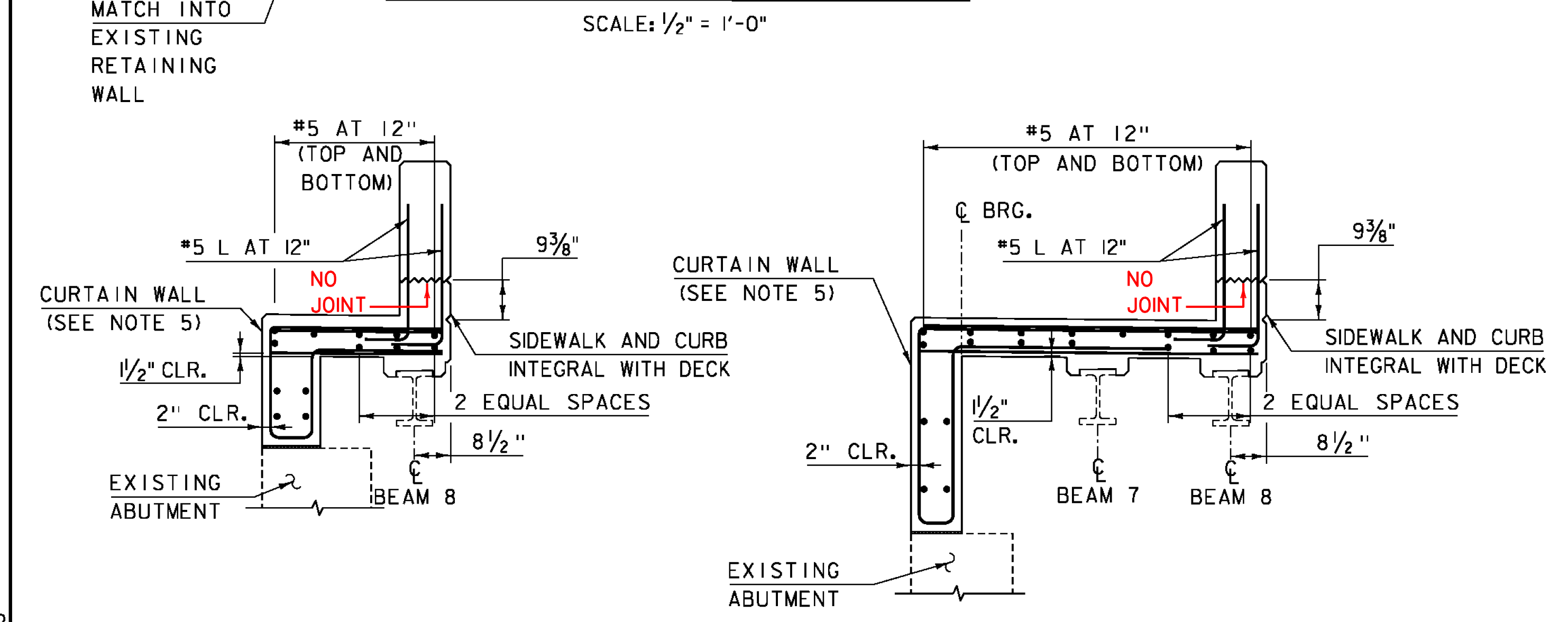


SIDEWALK RAMP MASONRY PLAN
SCALE: 1/2" = 1'-0"

- NOTES:
1. 3" CLEAR, UNLESS OTHERWISE SPECIFIED ON THE PLANS.
 2. 3'-0" BAR LAP UNLESS OTHERWISE SPECIFIED ON THE PLANS.
 3. EF = EACH FACE
 4. SEE SHEET 13 FOR SECTION A-A.
 5. SEE TYPICAL CURTAIN WALL SECTION ON SHEET 15 FOR MASONRY AND REINFORCEMENT DETAILS AND SECTION E-E THIS SHEET FOR REINFORCEMENT LAYOUT IN CURTAIN WALL AT SIDEWALK RAMP.

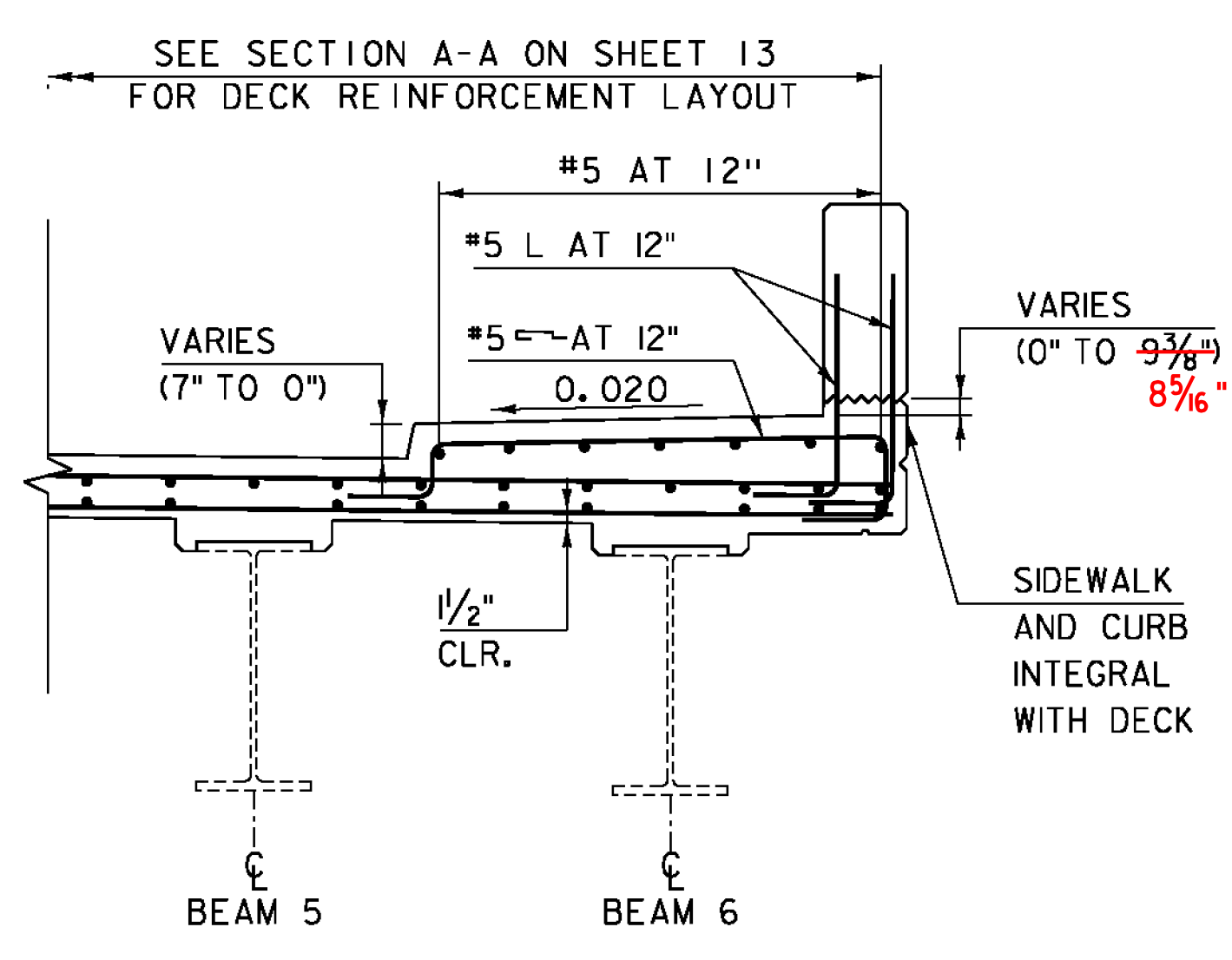


SIDEWALK RAMP REINFORCEMENT PLAN
SCALE: 1/2" = 1'-0"

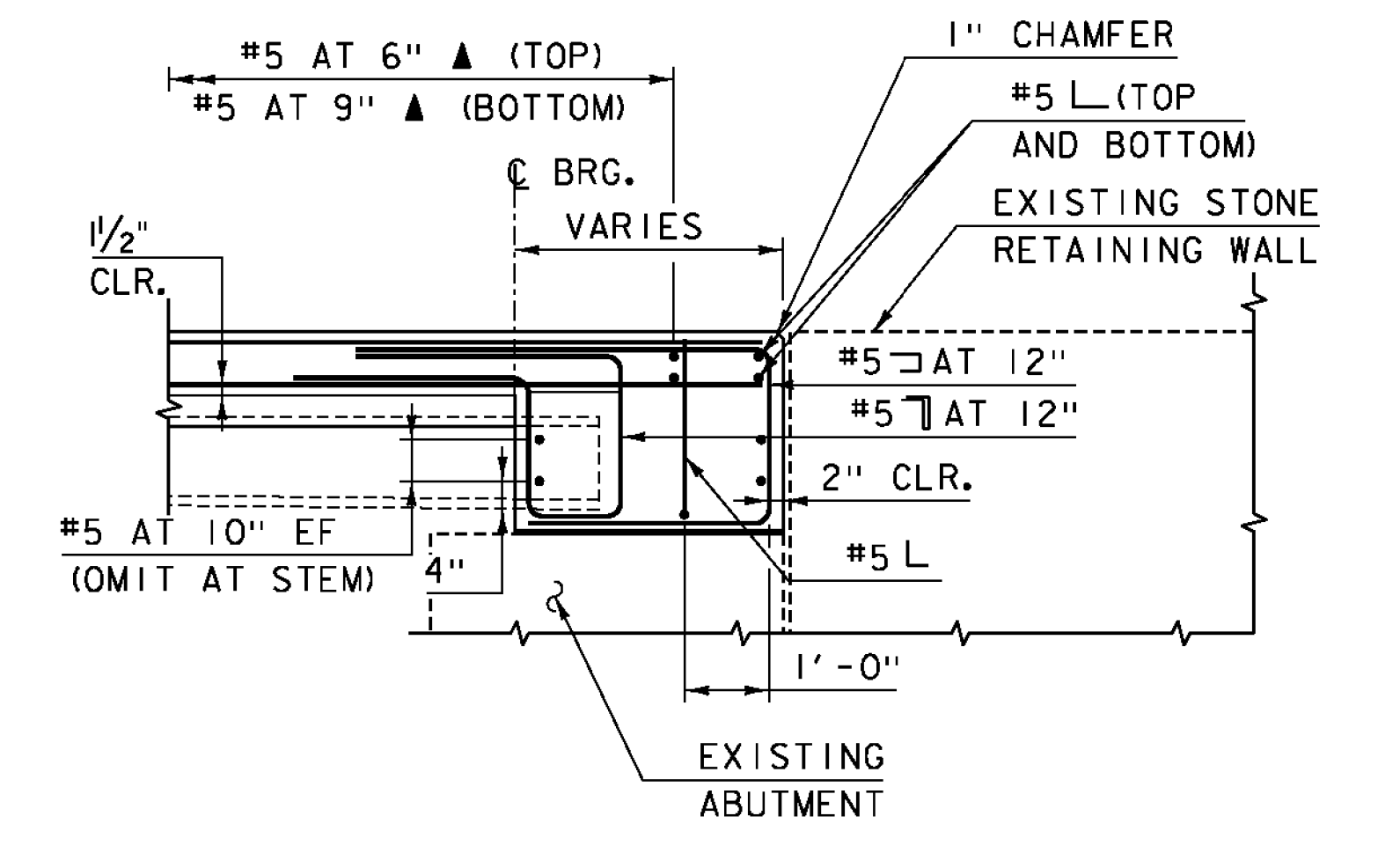


SECTION B-B
SCALE: 1/2" = 1'-0"

SECTION C-C
SCALE: 1/2" = 1'-0"



SECTION D-D
SCALE: 1/2" = 1'-0"



SECTION E-E
SCALE: 1/2" = 1'-0"

* ALL DIMENSIONS ARE BASED ON FIELD MEASUREMENTS AND ARE APPROXIMATE. THE CONTRACTOR SHALL VERIFY ALL EXISTING DIMENSIONS.
** SIDEWALK TO END AT BRIDGE RAIL ANGLE POINT.



PROJECT NAME:	BRATTLEBORO	PLOT DATE:	2/5/2016
PROJECT NUMBER:	BF 2000(26)	DRAWN BY:	M. SMITH
FILE NAME:	z15j091+yp-31.dgn	DESIGNED BY:	S. BEAUMONT
PROJECT LEADER:	J. BYATT	DECK DETAILS SHEET	2
CHECKED BY:	J. FRENCH	SHEET	14 OF 26