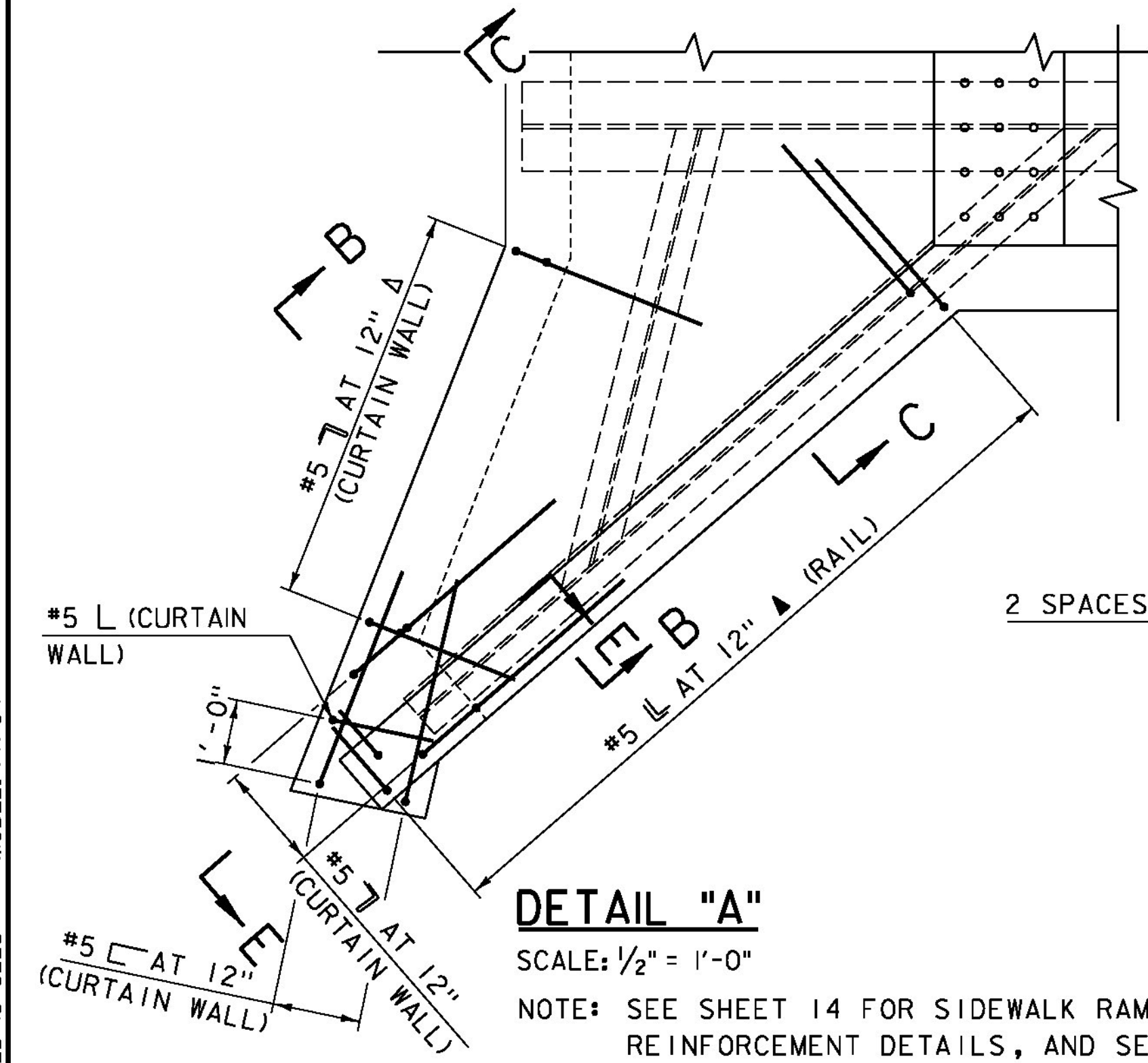


DECK REINFORCEMENT PLAN

SCALE: 1/4" = 1'-0"

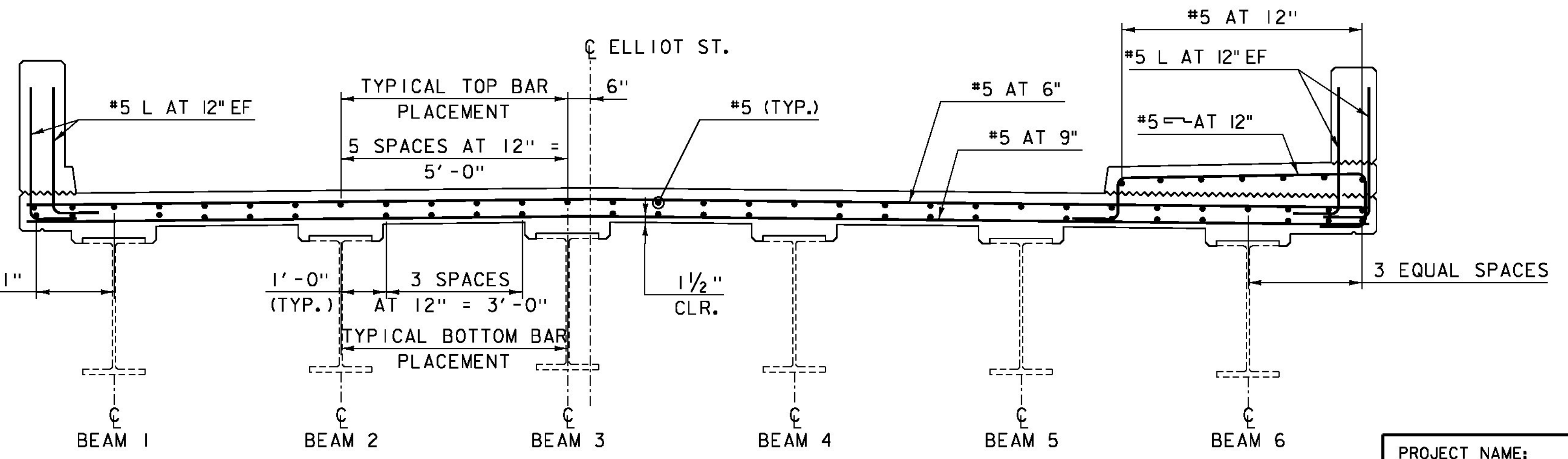
* DIMENSIONS ARE BASED ON FIELD MEASUREMENTS AND ARE APPROXIMATE. THE CONTRACTOR SHALL VERIFY ALL EXISTING DIMENSIONS.



DETAIL "A"

SCALE: 1/2" = 1'-0"

NOTE: SEE SHEET 14 FOR SIDEWALK RAMP MASONRY, ADDITIONAL REINFORCEMENT DETAILS, AND SECTIONS B-B, C-C, AND E-E.



SECTION A-A

SCALE: 1/2" = 1'-0"

NOTES:

1. 3" CLEAR, UNLESS OTHERWISE SPECIFIED ON THE PLANS.
2. 3'-0" BAR LAP UNLESS OTHERWISE SPECIFIED ON THE PLANS.
3. 1'-0" HOOK UNLESS OTHERWISE SPECIFIED ON THE PLANS.
4. EF = EACH FACE
5. SEE SHEET 18 FOR RAIL LAYOUT SHEET.

PROJECT NAME:	BRATTLEBORO
PROJECT NUMBER:	BF 2000(26)
FILE NAME:	z15j091+yp-3i.dgn
PROJECT LEADER:	J. BYATT
DESIGNED BY:	S. BEAUMONT
DECK DETAILS SHEET 1	
PLOT DATE:	2/5/2016
DRAWN BY:	M. SMITH
CHECKED BY:	J. FRENCH
SHEET	13 OF 26



MODEL: TYP04
GLD 15-0223