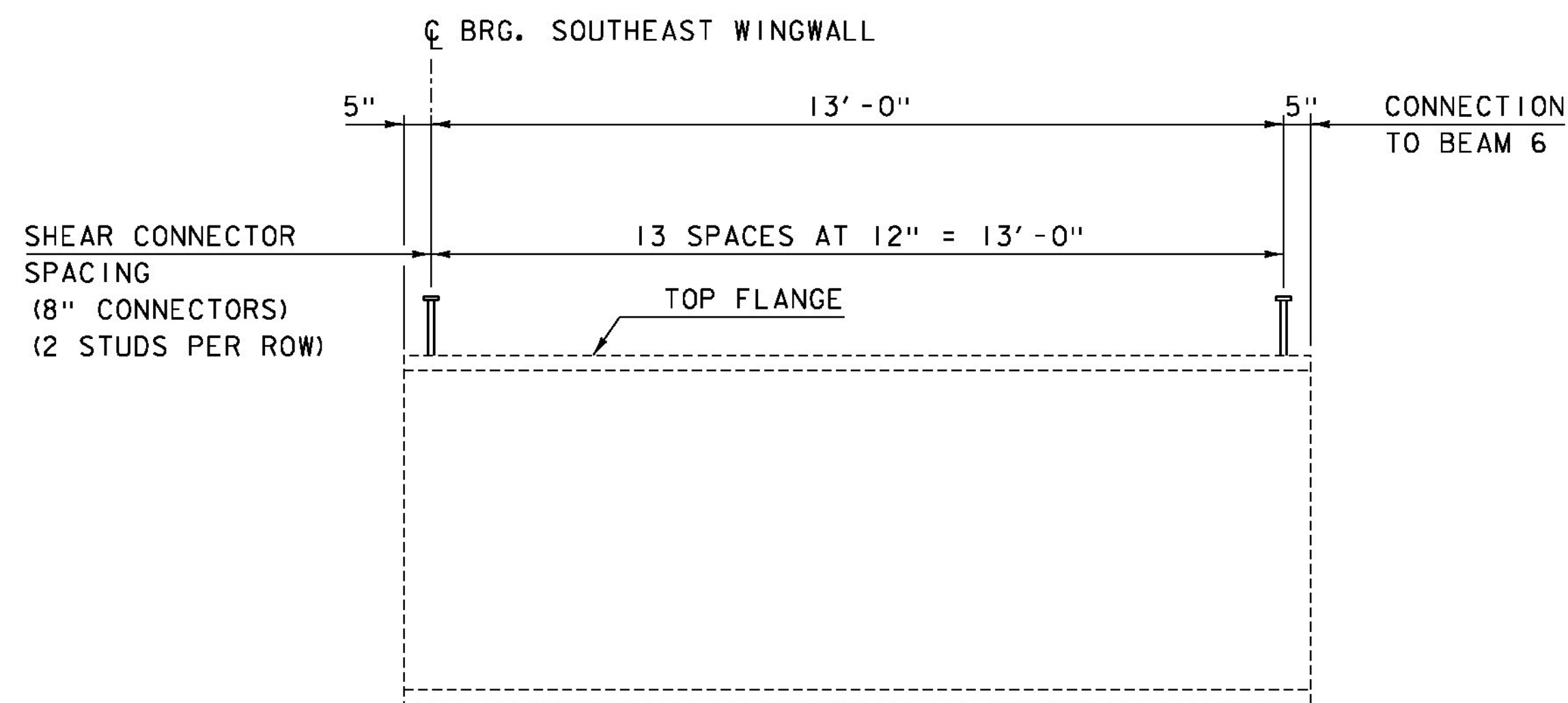


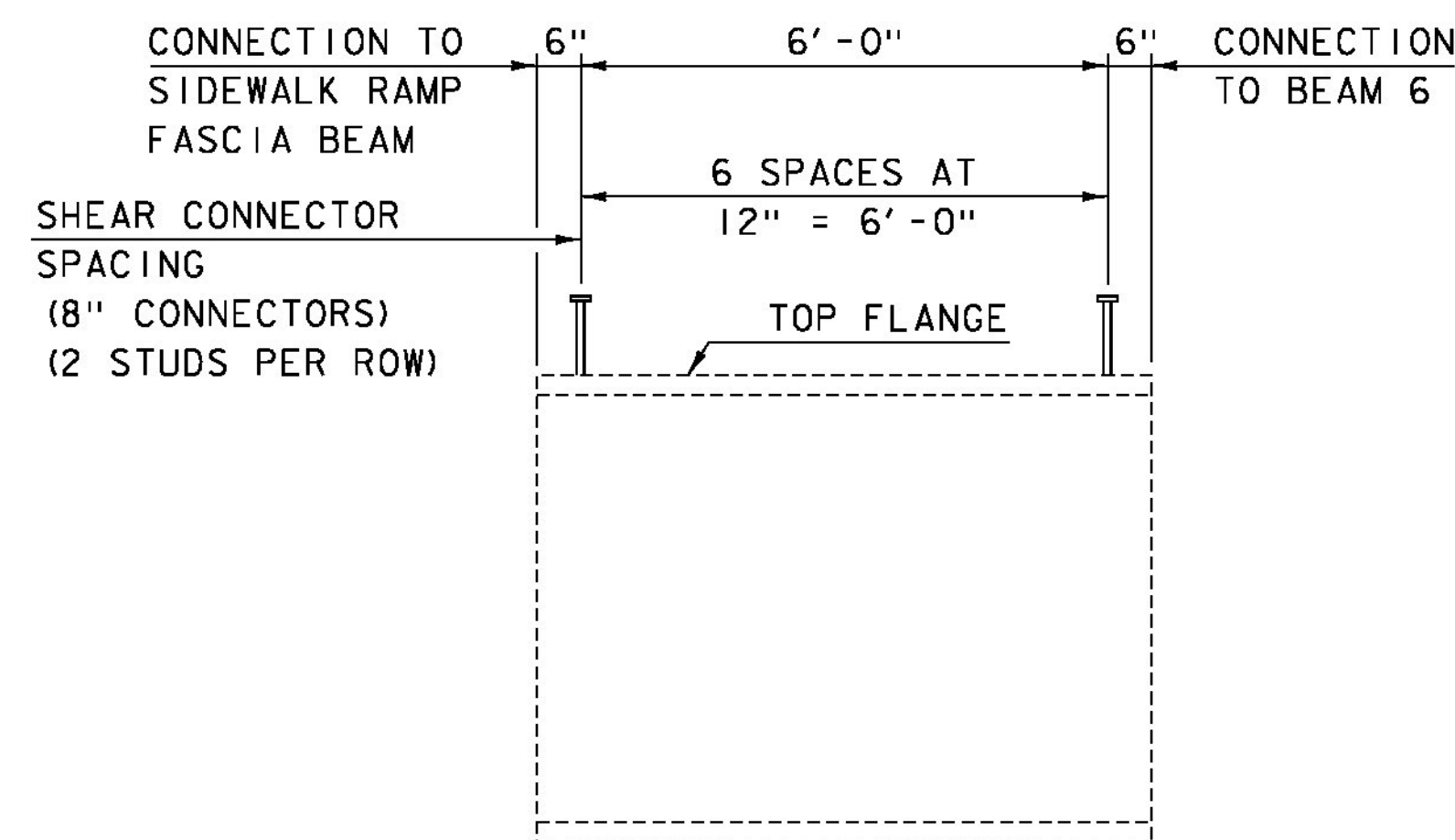
**SHEAR CONNECTOR LAYOUT**

HORIZONTAL SCALE: 1" = 1'-0"  
 VERTICAL SCALE: 1/4" = 1'-0"



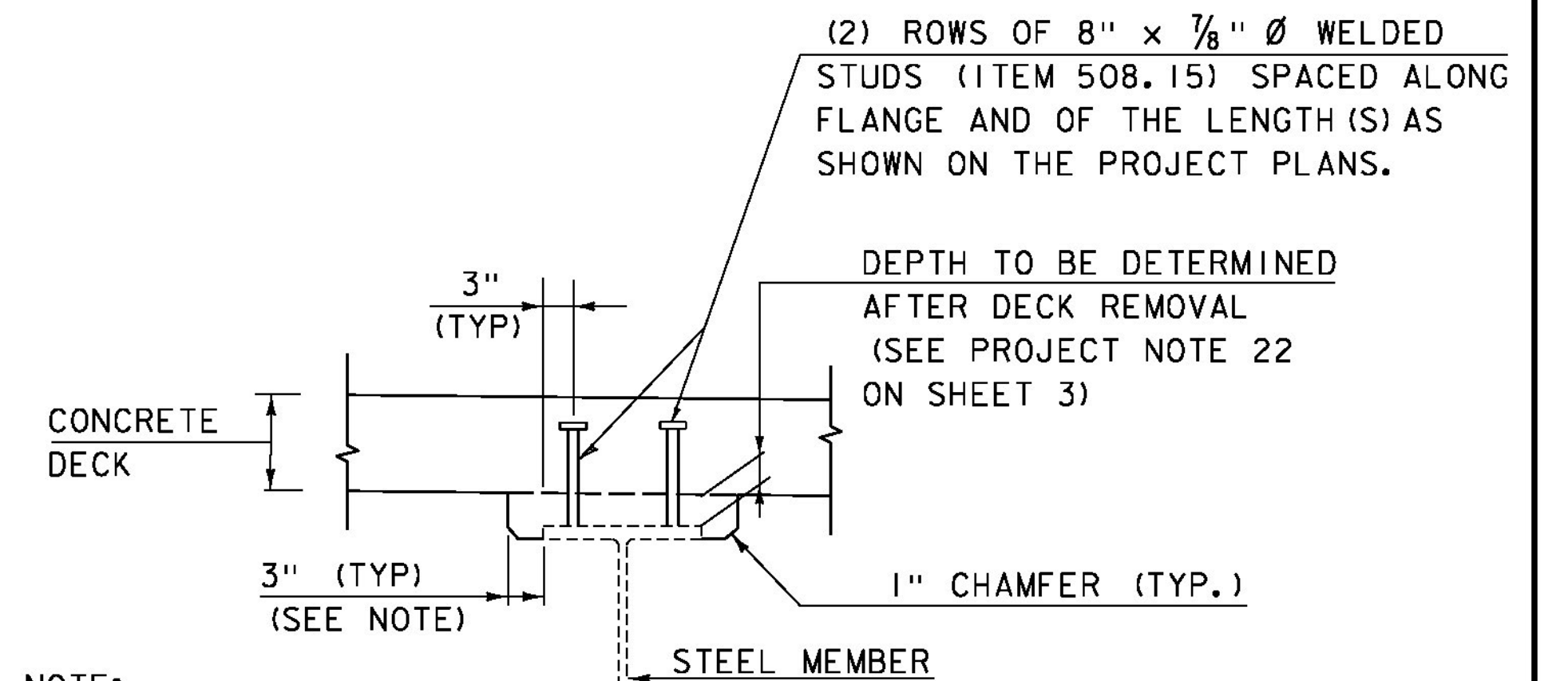
**SHEAR CONNECTOR LAYOUT FOR SIDEWALK RAMP FASCIA BEAM**

HORIZONTAL SCALE: 1/2" = 1'-0"  
 VERTICAL SCALE: 1/8" = 1'-0"



**SHEAR CONNECTOR LAYOUT FOR SIDEWALK RAMP INTERIOR BEAM**

HORIZONTAL SCALE: 1/2" = 1'-0"  
 VERTICAL SCALE: 1/8" = 1'-0"



**NOTE:**

THE 3" HORIZONTAL SECTION MAY BE ELIMINATED FOR FORMING SYSTEMS DESIGNED FOR THE CONSTRUCTION OF VERTICAL HAUNCHES. ANY VOIDS RESULTING FROM FORMING SYSTEM ELEMENTS SHALL BE FILLED WITH JOINT SEALER, POLYURETHANE MEETING THE REQUIREMENTS OF SECTION 524. THE COST OF THE JOINT SEALER, POLYURETHANE WILL BE CONSIDERED INCIDENTAL TO THE ADJACENT CONCRETE ITEM.

**HAUNCH AND SHEAR CONNECTOR DETAIL**

SCALE: 3/4" = 1'-0"

MODEL: TYP03  
 CLD 15-0223



PROJECT NAME: BRATTLEBORO  
 PROJECT NUMBER: BF 2000(26)

FILE NAME: z15J091+yp-3i.dgn  
 PROJECT LEADER: J. BYATT  
 DESIGNED BY: N. CARON  
 SHEAR CONNECTOR DETAILS SHEET

PLOT DATE: 2/5/2016  
 DRAWN BY: M. SMITH  
 CHECKED BY: S. BEAUMONT  
 SHEET 12 OF 26