

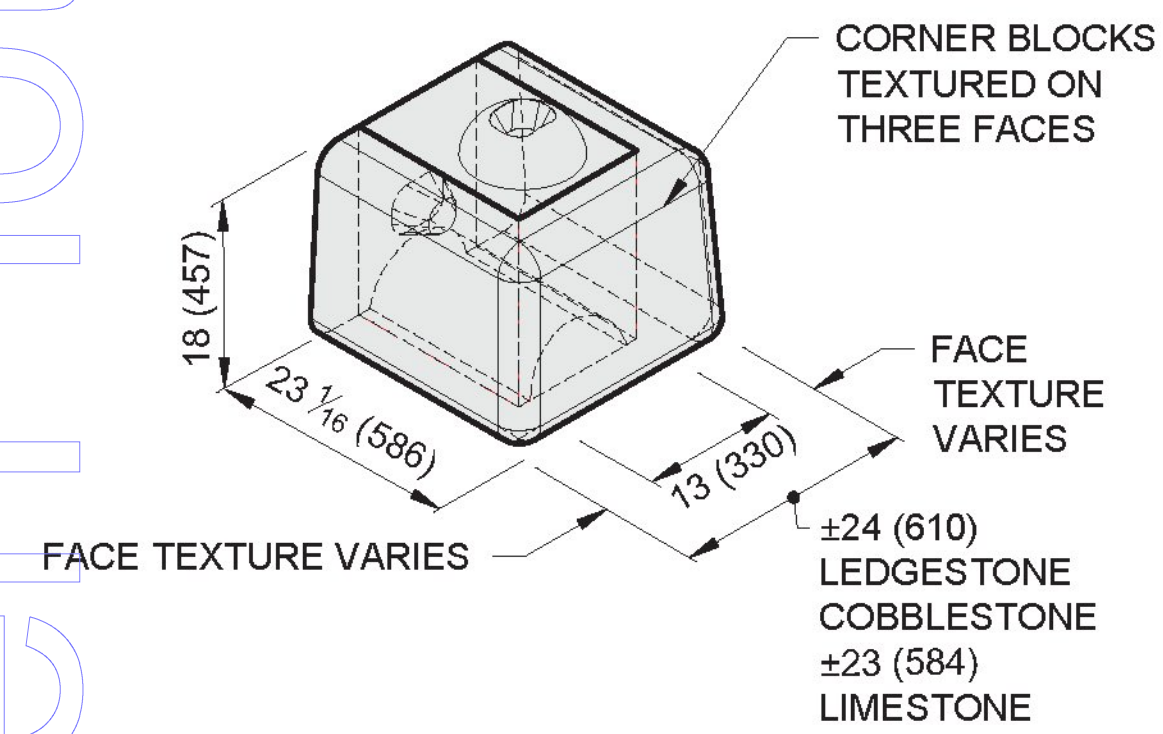
BLOCKS USED IN WALL ARE HIGHLIGHTED IN RED BOXES

FREESTANDING BLOCKS

Block Library

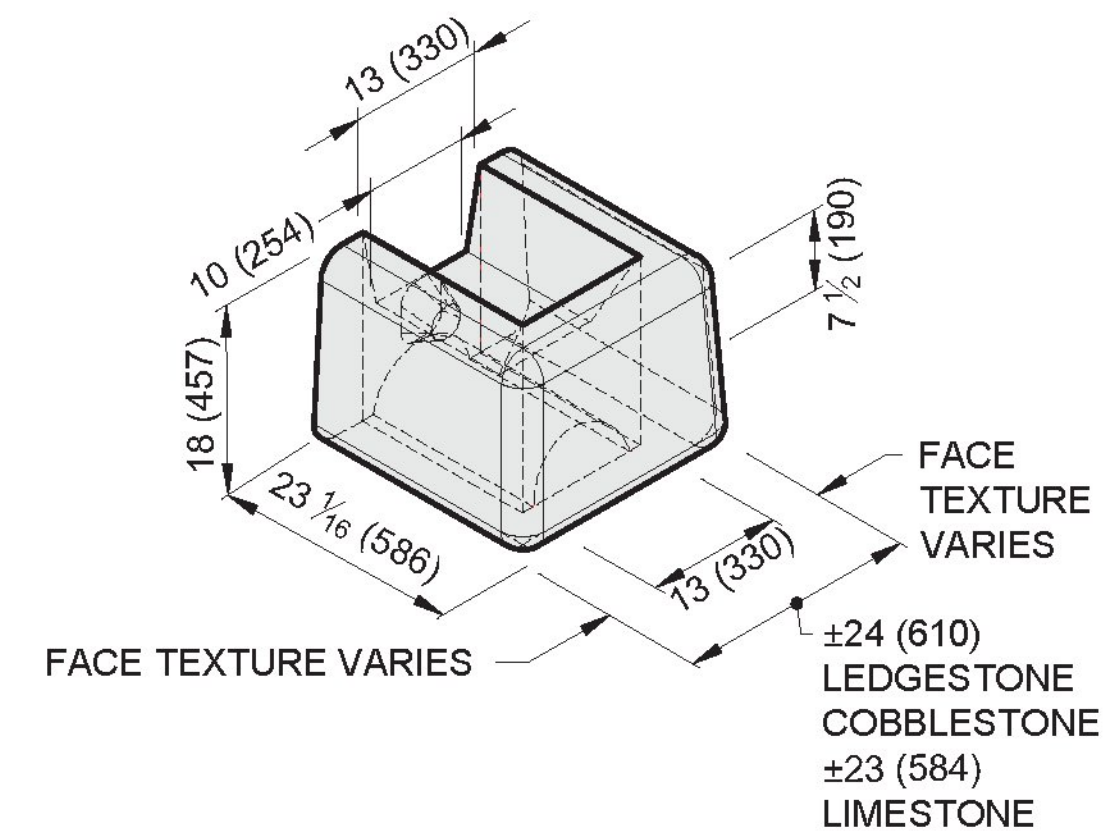
HALF CORNER MIDDLE

Face Texture:	Limestone	Cobblestone	Ledgestone
Block Weight:	660 lb (300kg)	690 lb (310 kg)	650 lb (300kg)
Block Volume:	4.6 ft ³ (0.13m ³)	4.8 ft ³ (0.14m ³)	4.6 ft ³ (0.13m ³)



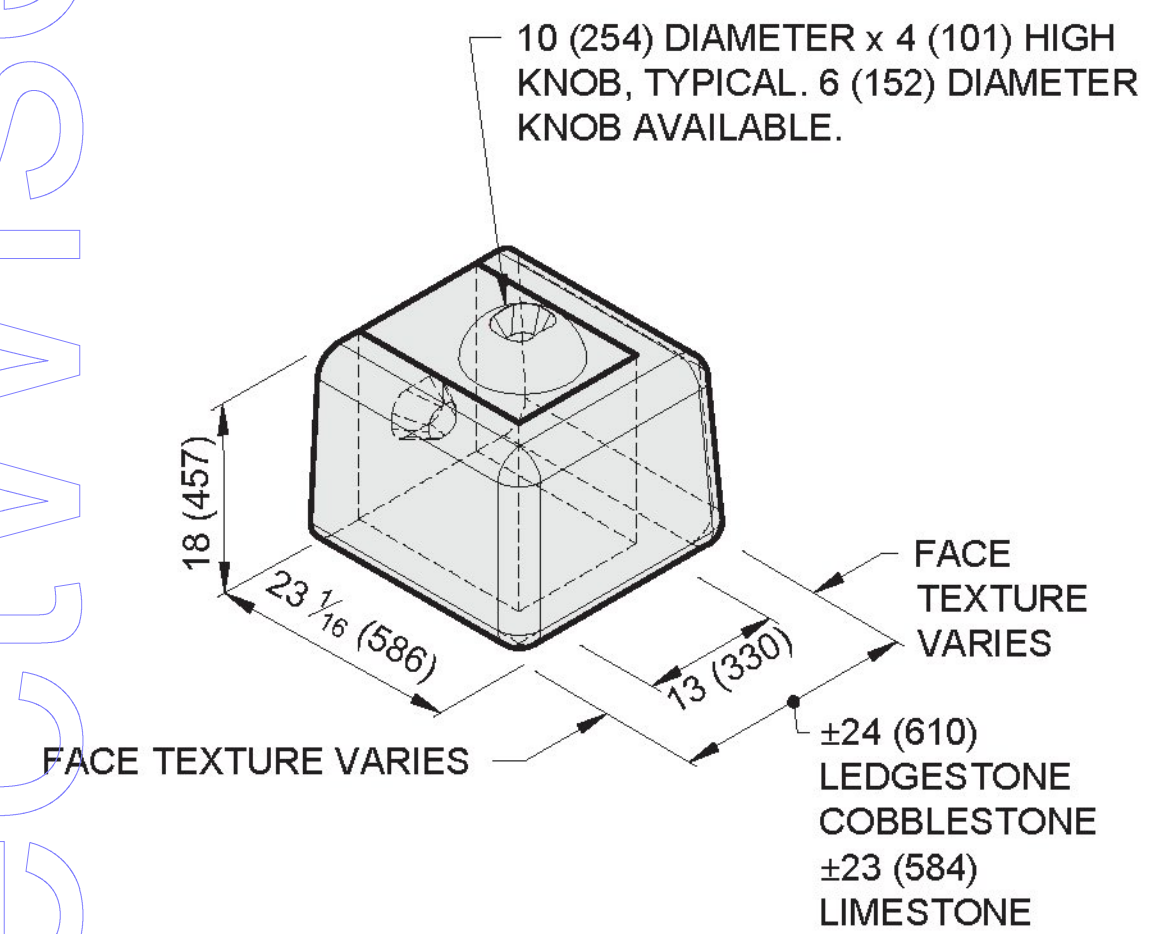
HALF CORNER GARDEN TOP

Face Texture:	Limestone	Cobblestone	Ledgestone
Block Weight:	530 lb (240kg)	570 lb (260 kg)	530 lb (240kg)
Block Volume:	3.7 ft ³ (0.11m ³)	4.0 ft ³ (0.11m ³)	3.7 ft ³ (0.10m ³)



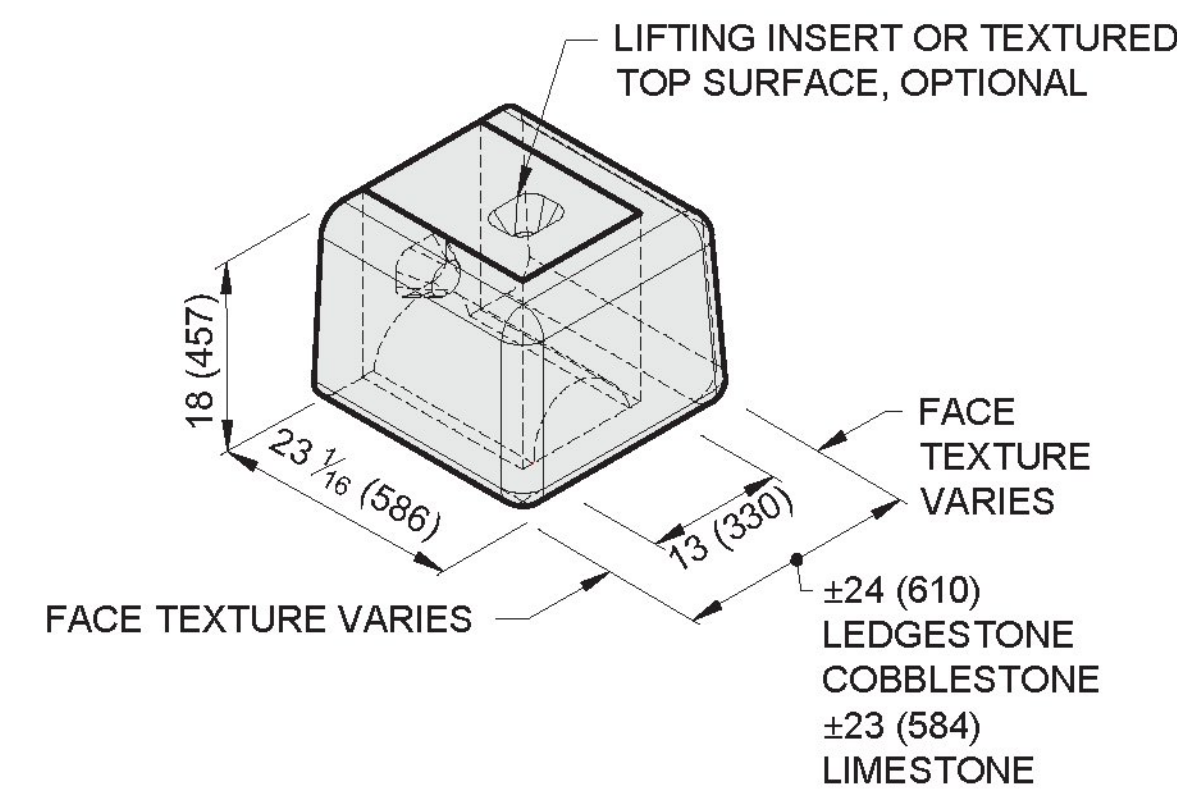
HALF CORNER BOTTOM

Face Texture:	Limestone	Cobblestone	Ledgestone
Block Weight:	710 lb (320kg)	740 lb (340 kg)	700 lb (320kg)
Block Volume:	5.0 ft ³ (0.14m ³)	5.2 ft ³ (0.15m ³)	4.9 ft ³ (0.14m ³)



HALF CORNER TOP

Face Texture:	Limestone	Cobblestone	Ledgestone
Block Weight:	640 lb (290kg)	670 lb (310 kg)	630 lb (290kg)
Block Volume:	4.5 ft ³ (0.13m ³)	4.7 ft ³ (0.13m ³)	4.4 ft ³ (0.13m ³)



- Units for dimensions are inches (mm), typical unless noted otherwise.
- Confirm block production with licensed Redi-Rock manufacturer.
- Architectural faces on the blocks have varying texture.
- Actual block volumes and weights may vary.

- Weights are based upon a concrete density of 143 lb/ft³ (2291 kg/m³).
- Knobs are typically 10" (254mm) diameter by 4" (102 mm) tall. Smaller knobs are available.

The following product(s) are not activated: