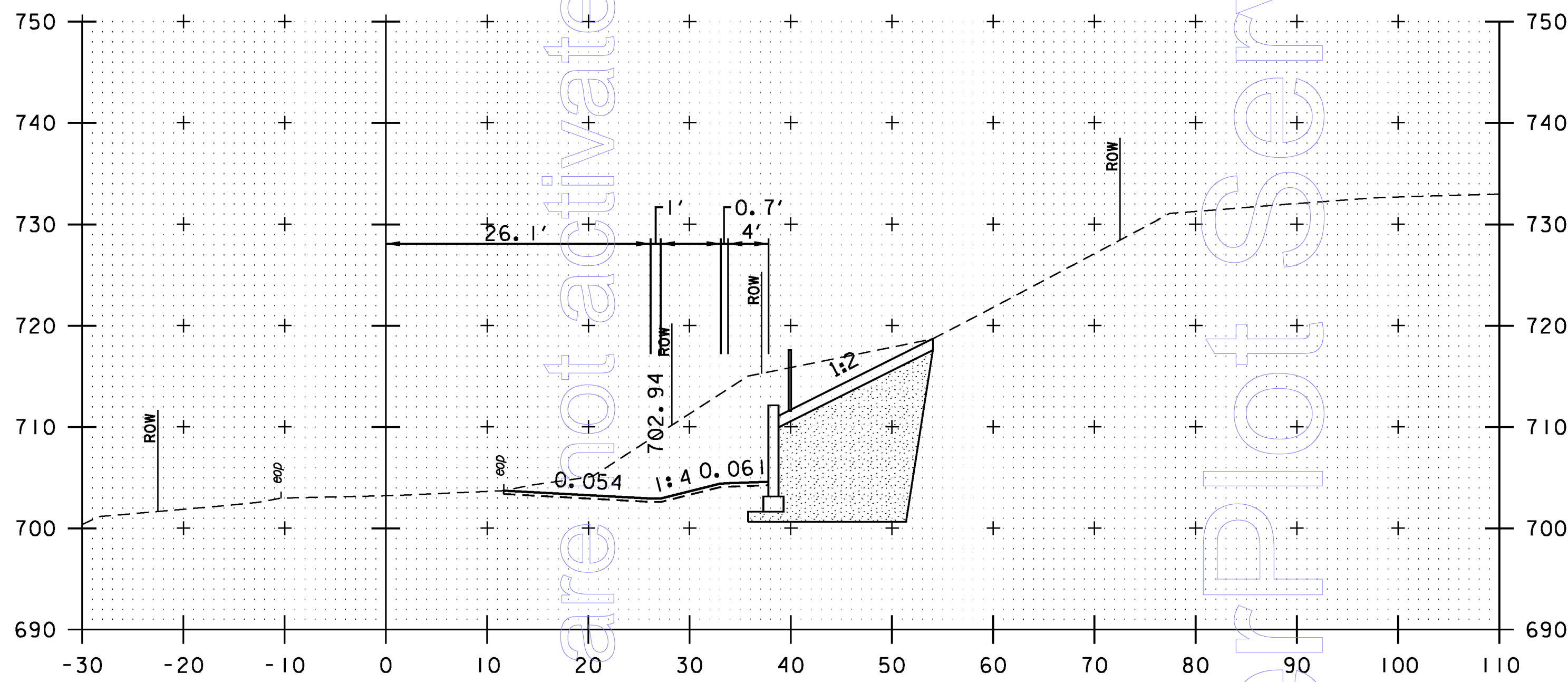
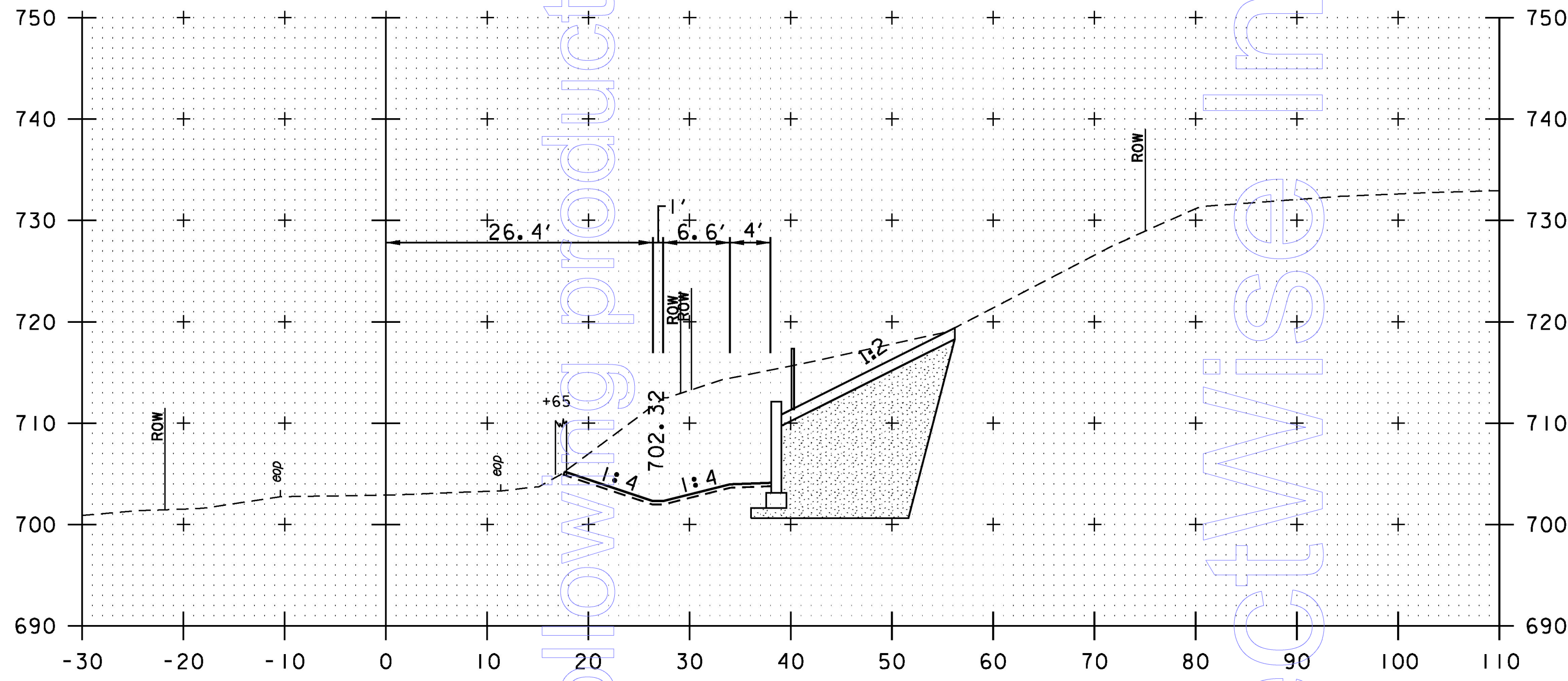


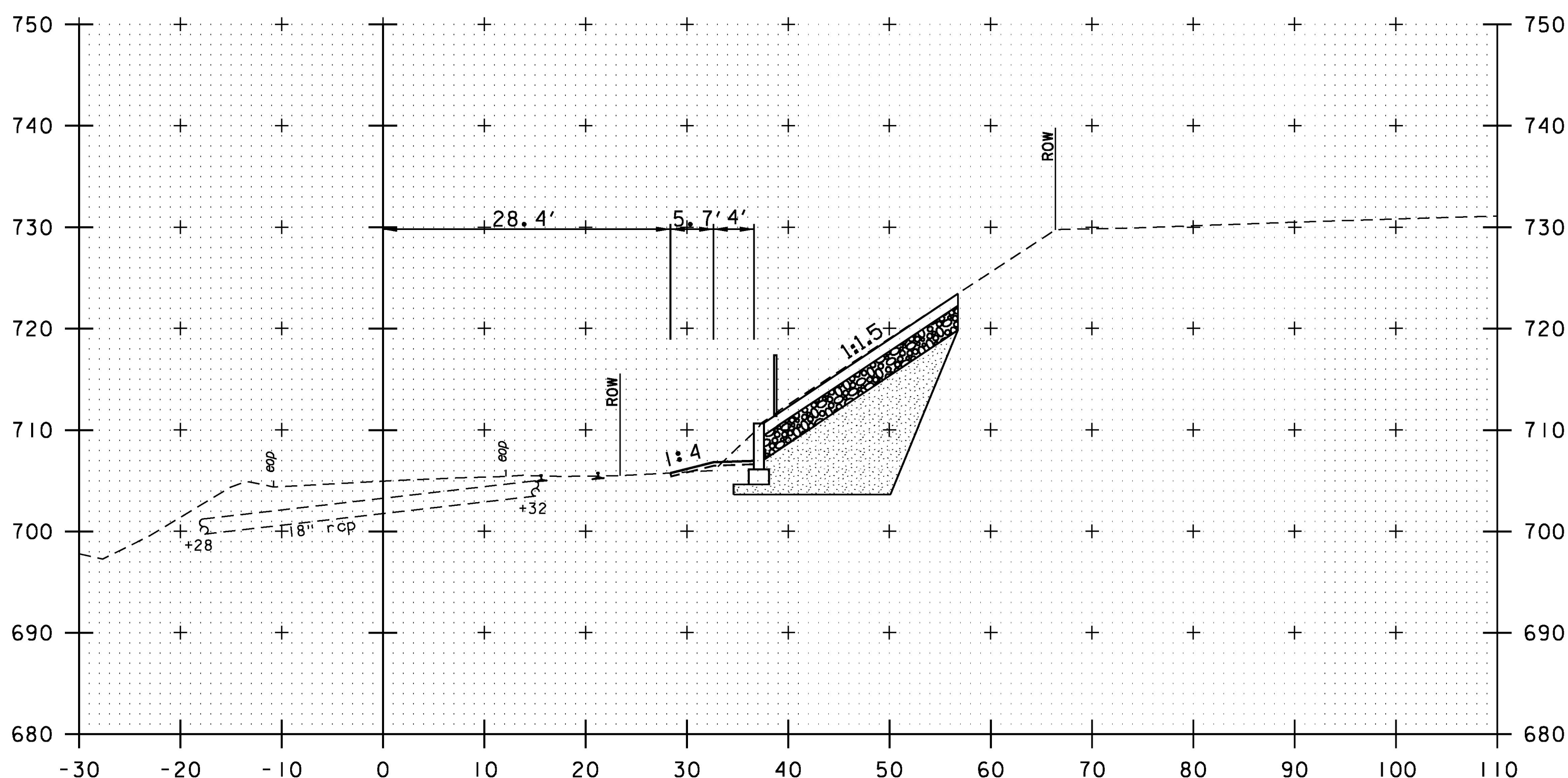
The following product(s) are not activated:
ProjectWise InterPlot Server



1204+75

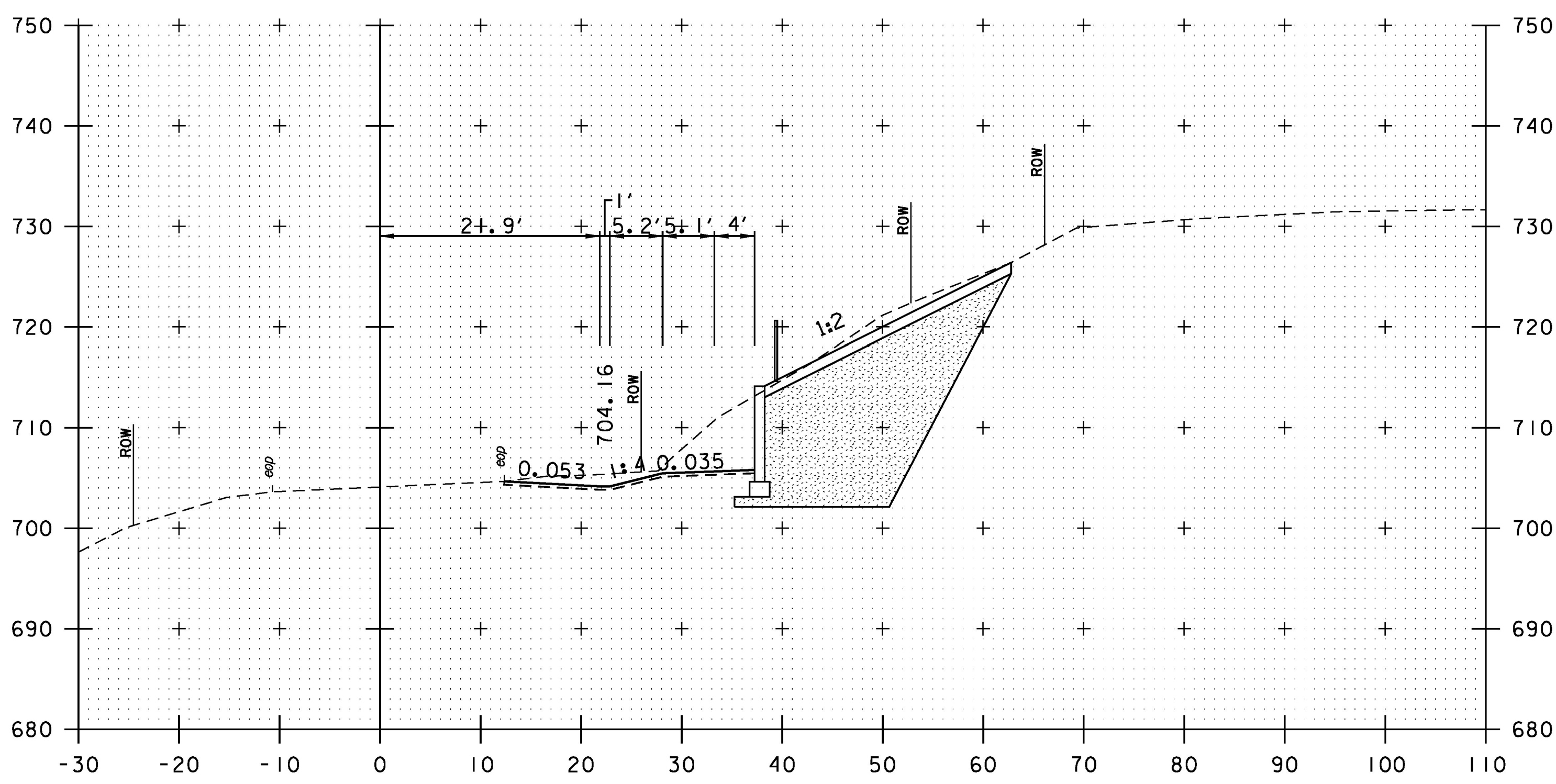


1204+65



1205+25

STA. 1205+25, RT
BEGIN STONE FILL, TYPE I
BEGIN GEOTEXTILE UNDER STONE FILL



1205+00



PROJECT NAME:	BARRE CITY - BARRE TOWN	PLOT DATE:	12/2/2016
PROJECT NUMBER:	MEGC M 6000(12)C/1	DRAWN BY:	P.A. MILLER
FILE NAME:	z15d040_xs.dgn	DESIGNED BY:	D.M. PECK
PROJECT LEADER:	A.P. GUYETTE	CHECKED BY:	D.M. PECK
CROSS SECTIONS (6 OF 9)		SHEET	36 OF 39