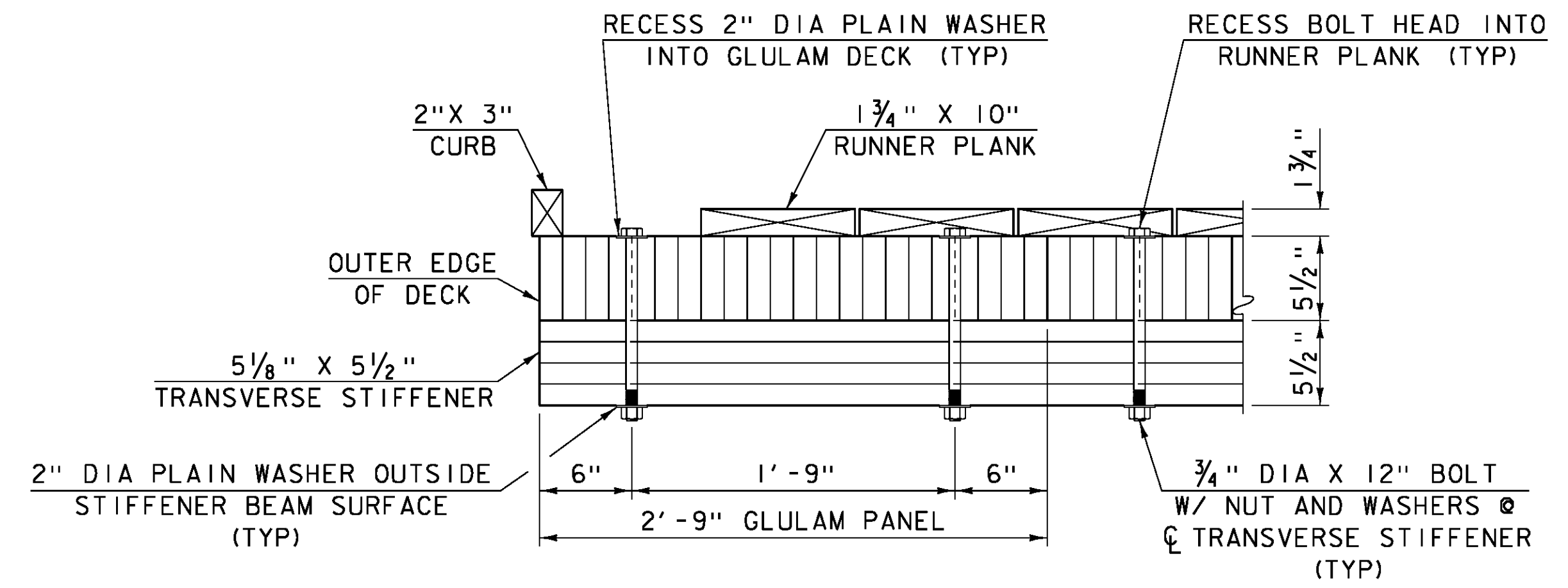


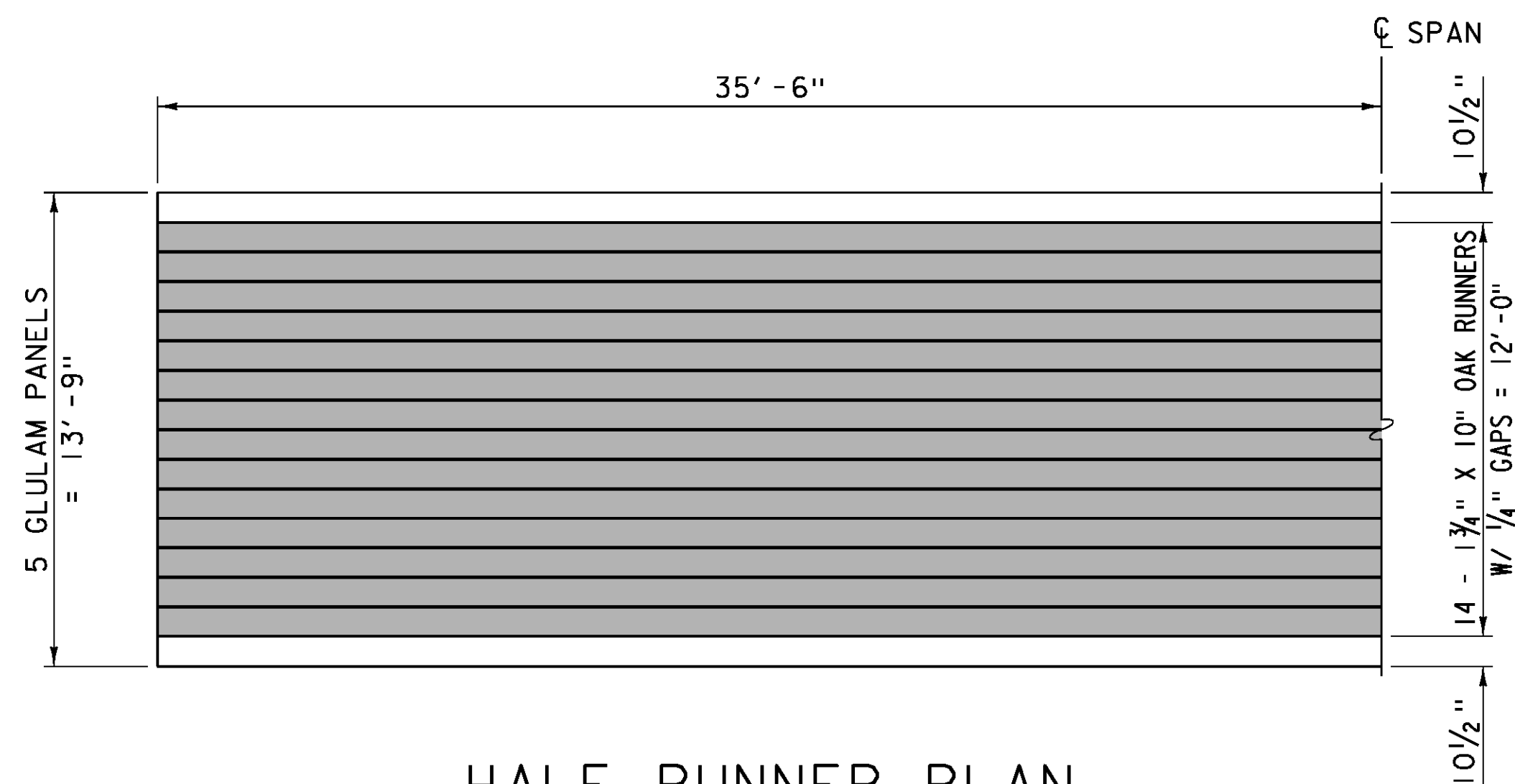
HALF DECK PANEL PLAN

SCALE: 1/4" = 1'-0"



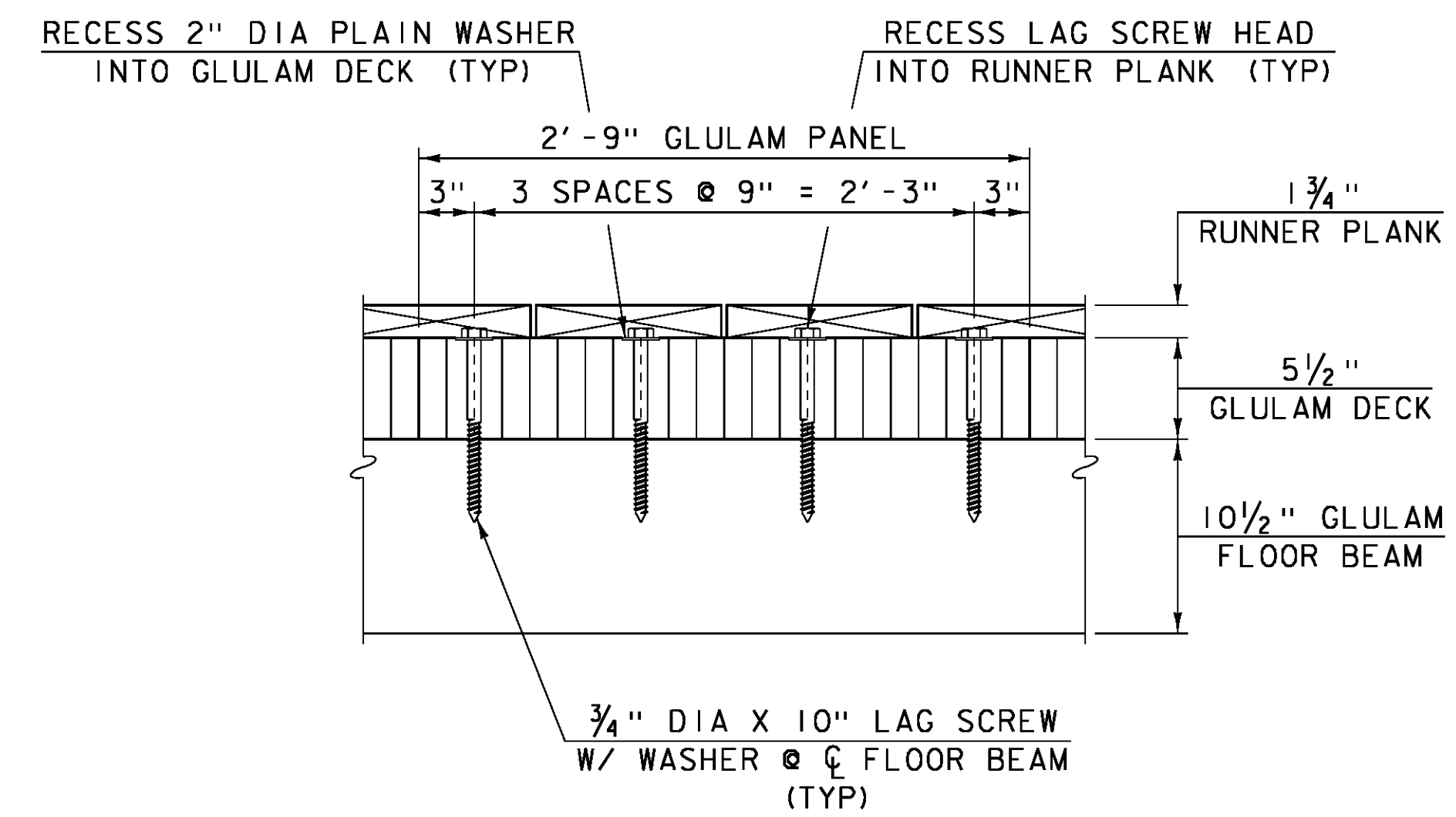
DECK DETAIL

SCALE: 1 1/2" = 1'-0"



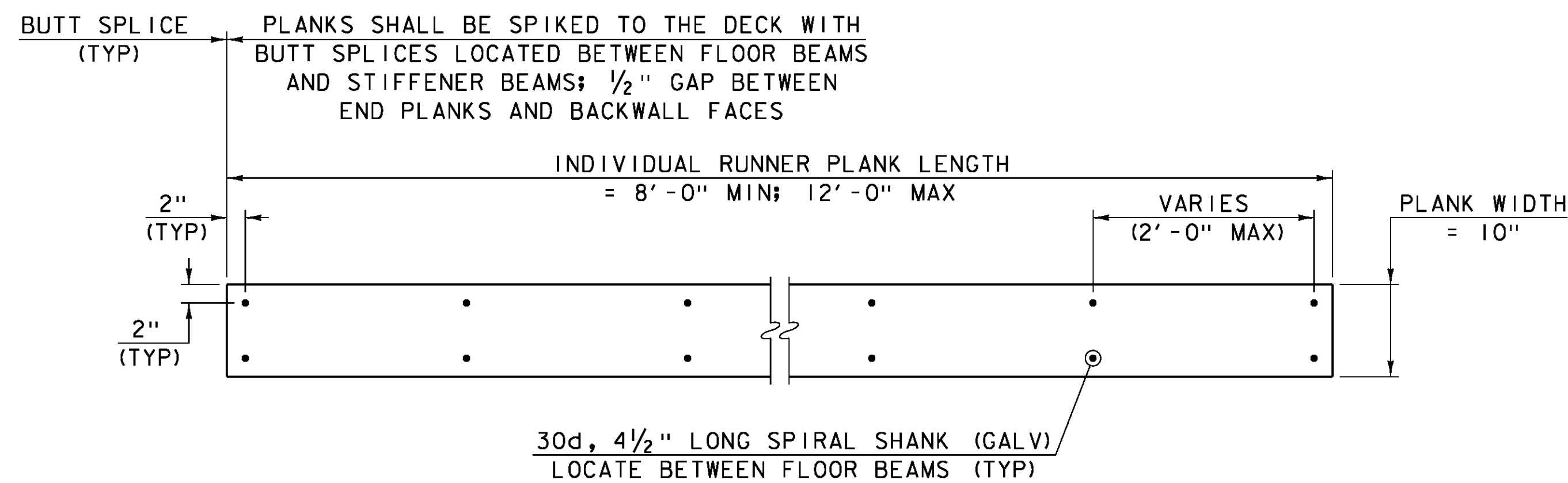
HALF RUNNER PLAN

SCALE: 1/4" = 1'-0"



FLOOR CONNECTION DETAIL

SCALE: 1 1/2" = 1'-0"



RUNNER PLANK ATTACHMENT DETAIL

SCALE: 1" = 1'-0"

PROJECT NAME: CHARLOTTE	PLOT DATE: 22-FEB-2016
PROJECT NUMBER: BO 1445(36)	DRAWN BY: G. ROY
FILE NAME: sl4j235truss.dgn	CHECKED BY: J. WEAVER
PROJECT LEADER: M. SARGENT	SHEET 8 OF 13
DESIGNED BY: J. WEAVER	DECK PLAN AND CONNECTION DETAILS