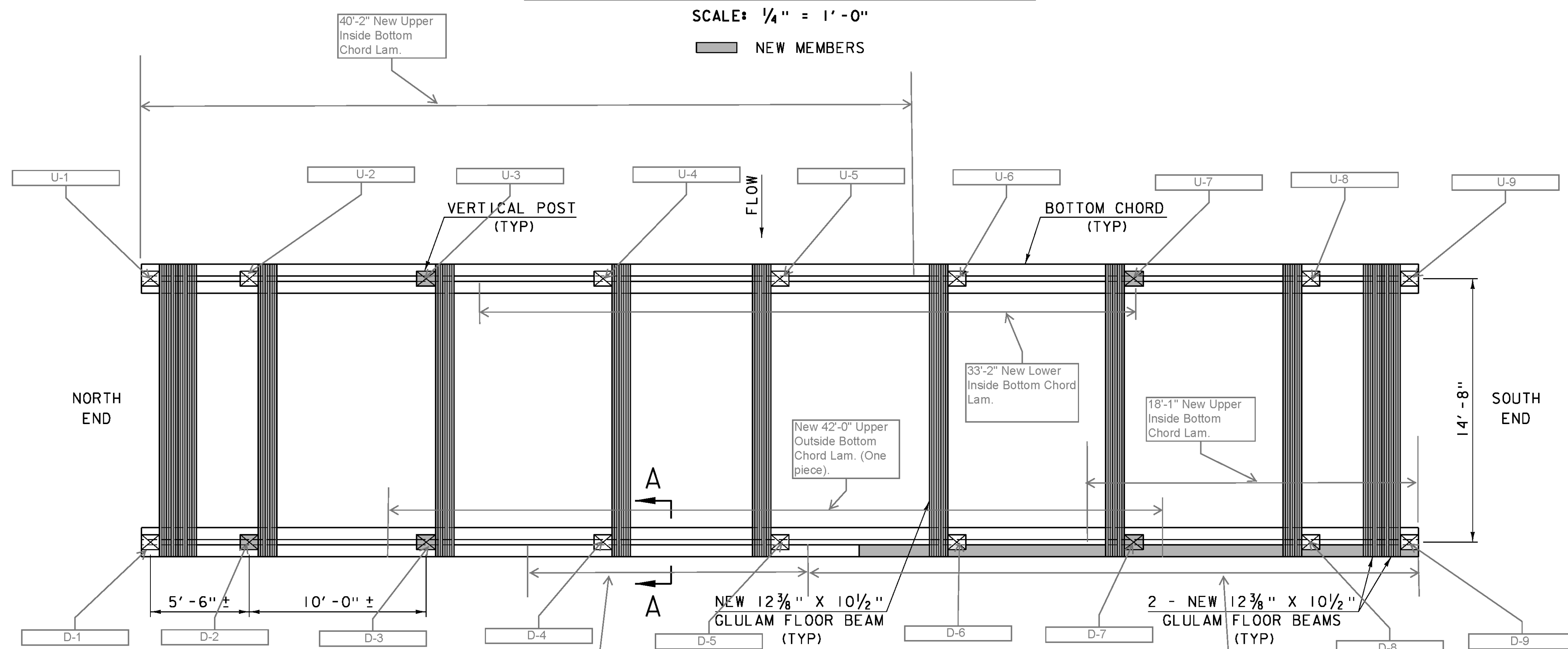


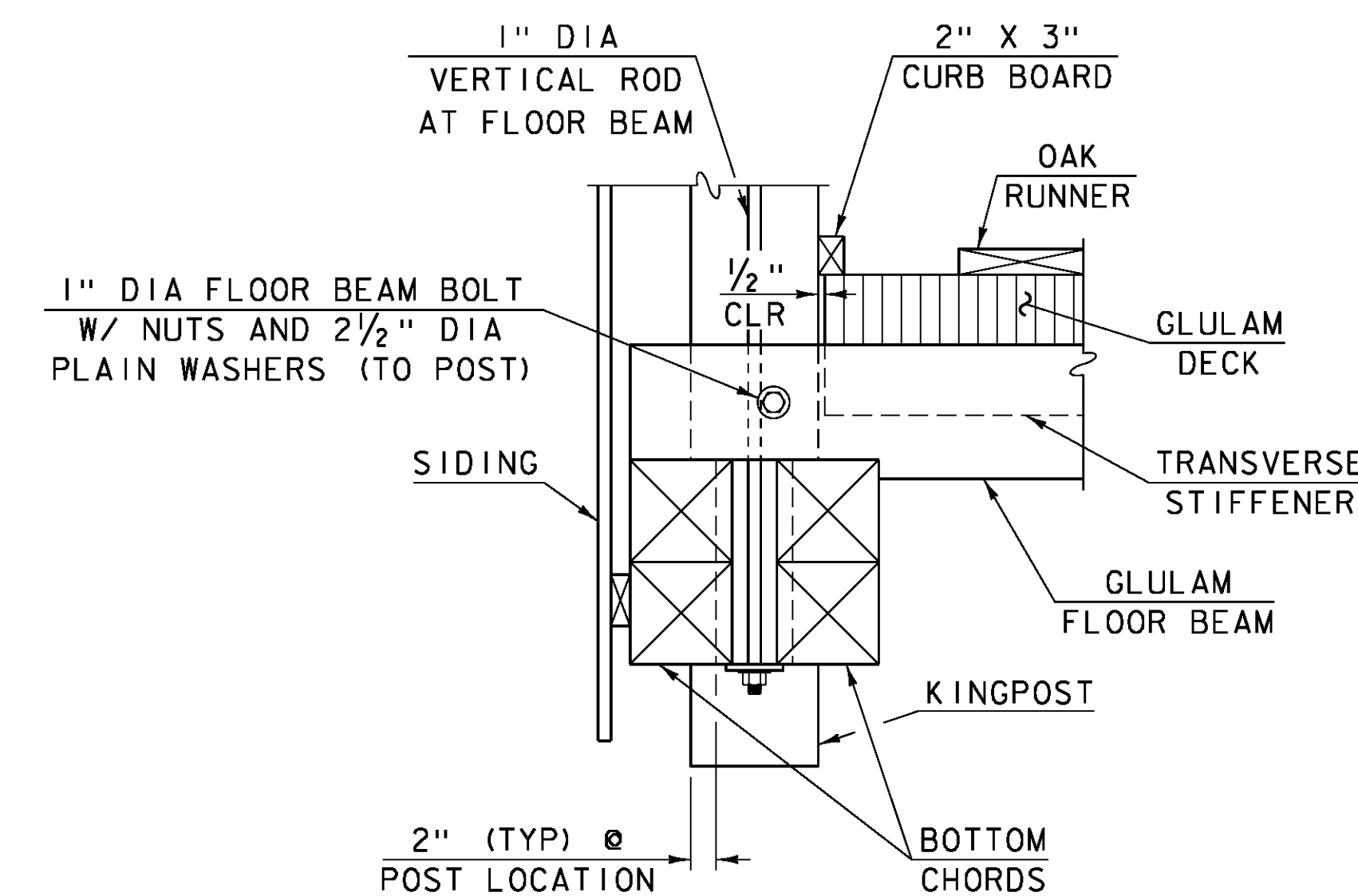
TOP CHORD AND BRACING PLAN

SCALE: 1/4" = 1'-0"
 ■ NEW MEMBERS



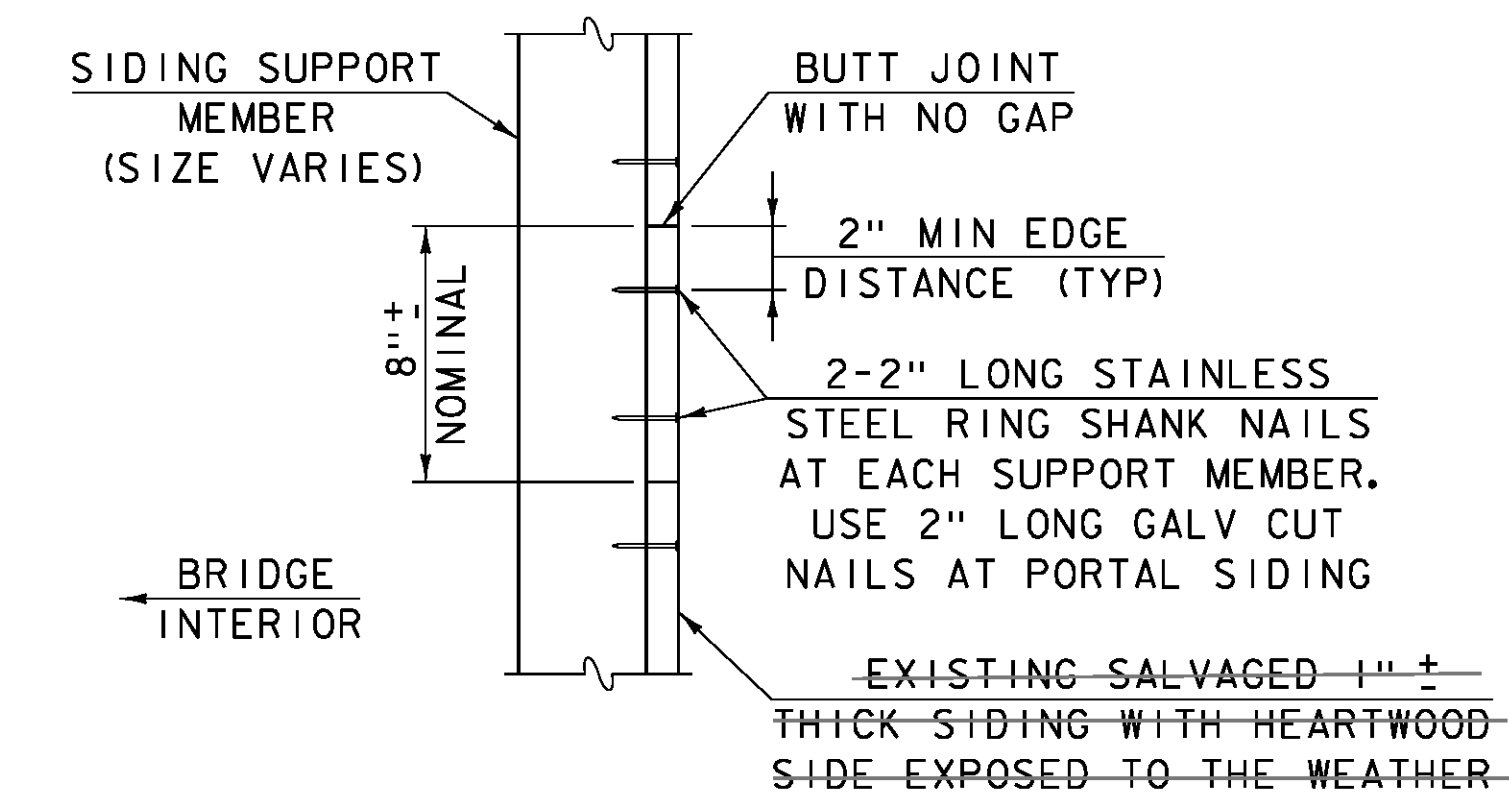
BOTTOM CHORD AND FLOOR BEAM PLAN

SCALE: 1/4" = 1'-0"
 ■ NEW MEMBERS



SECTION A-A

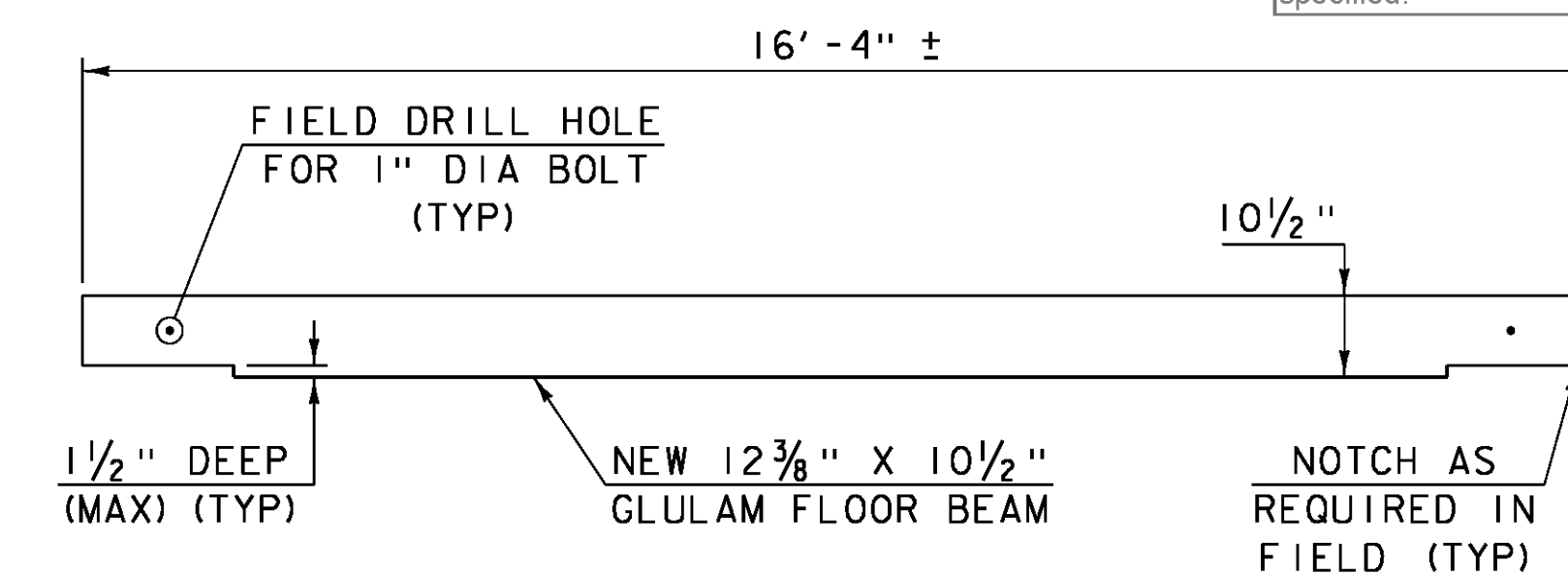
SCALE: 1" = 1'-0"



SIDING DETAIL

(PLAN VIEW)
 NOT TO SCALE

This is a generic detail. All Siding was replaced with 1"x 8" Eastern Hemlock, No. 1 Common. See Plan Sheet #5 where replacement of the siding is specified.



FLOOR BEAM DETAIL

SCALE: 1/2" = 1'-0"

PROJECT NAME: CHARLOTTE
 PROJECT NUMBER: BO 1445(36)

FILE NAME: sl4j235truss.dgn
 PROJECT LEADER: M. SARGENT
 DESIGNED BY: J. WEAVER
 TOP AND BOTTOM CHORD PLAN

PLOT DATE: 15-JAN-2016
 DRAWN BY: G. ROY
 CHECKED BY: J. WEAVER
 SHEET 6 OF 13