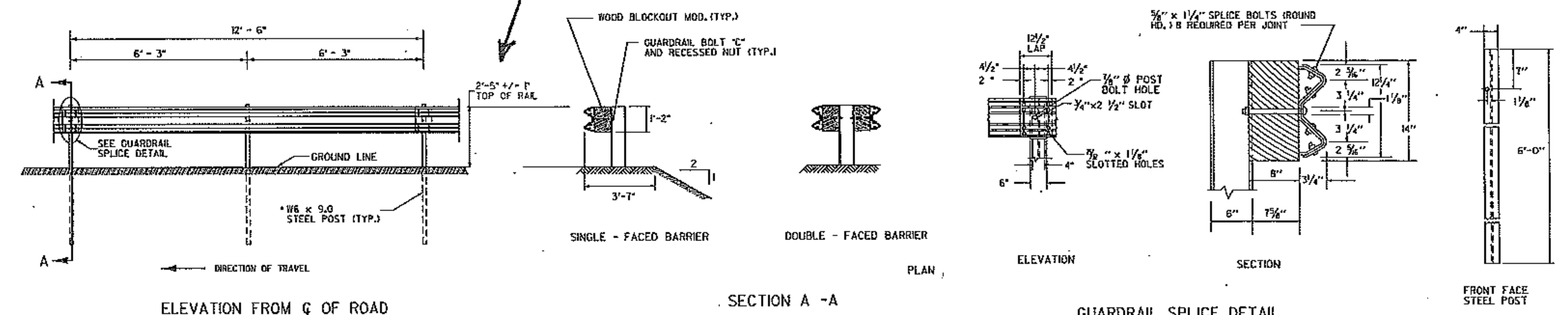


PETE
 SPRING MEETING
 4/3/14
 M. WOLLAUETZ

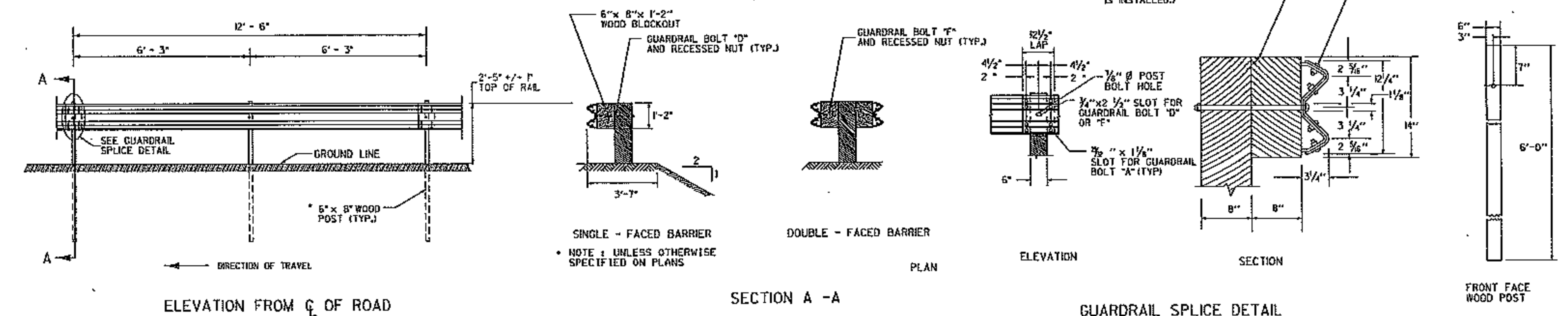
2'-5" ± 1" TOP OF RAIL (29" ± 1")

"W" BEAM GUARDRAIL WITH STEEL POSTS



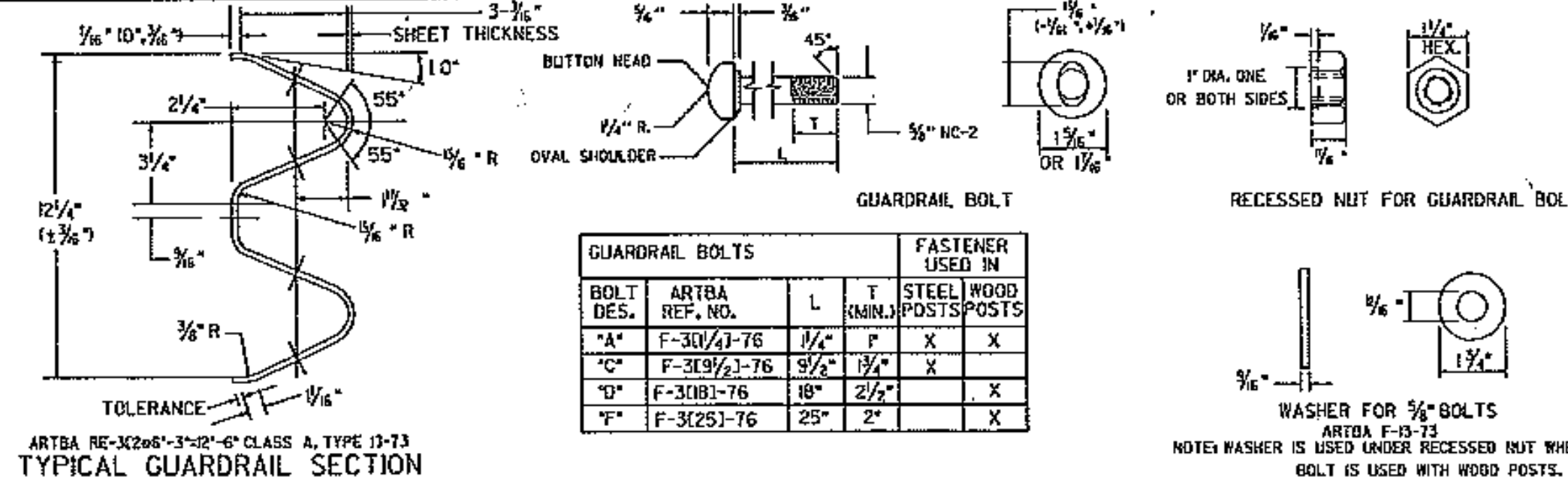
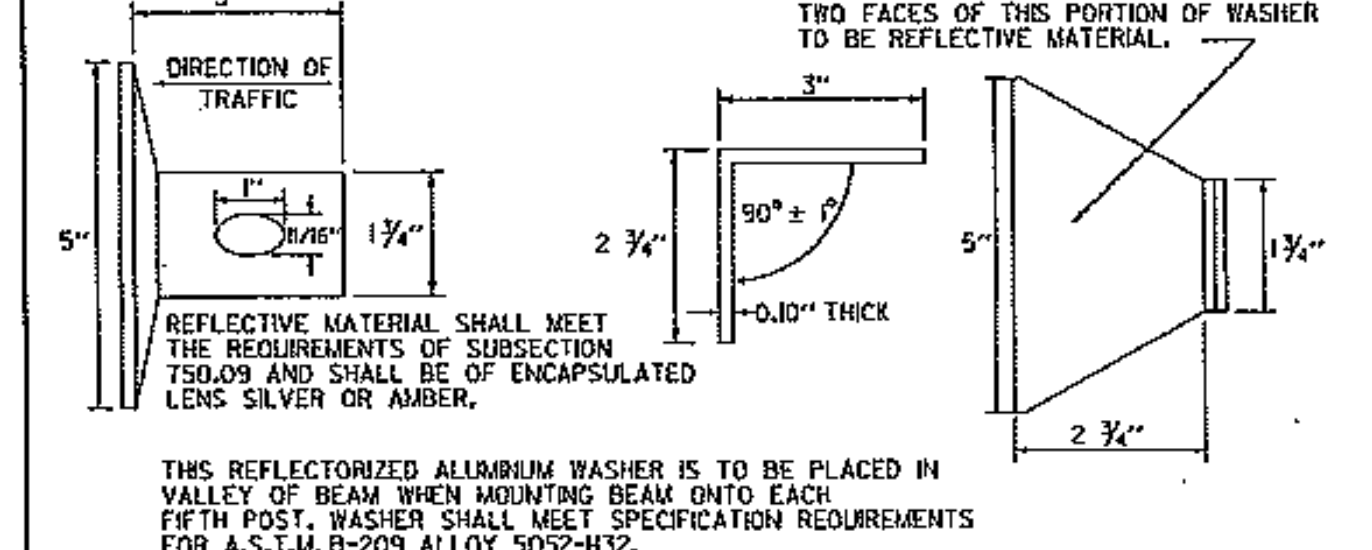
- NOTES:
- BLOCKS SHALL BE MADE OF TIMBER WITH A STRESS GRADE OF 1200 PSIOR MORE, TESTING SHALL BE IN ACCORDANCE WITH WEST COAST LUMBER INSPECTION BUREAU, SOUTHERN PINE INSPECTION BUREAU OR OTHER APPROPRIATE ASSOCIATION. TIMBER FOR BLOCKS SHALL BE ROUGH SAWN UNPLANED WITH DIMENSIONS INDICATED. THE SIZE TOLERANCE OF ROUGH SAWN BLOCKS IN THE DIRECTION OF THE BOLT HOLES SHALL BE NOT MORE THAN ± 1/4".
 - SUPPLY WOOD BLOCKS PER AASHTO M 158.
 - TREAT WITH PRESERVATIVE PER AASHTO M 133.
 - BLOCKOUTS MAY ALSO BE MADE OF APPROVED ALTERNATIVE MATERIAL.

"W" BEAM GUARDRAIL WITH WOOD POSTS



- NOTES:
- BLOCKS SHALL BE MADE OF TIMBER WITH A STRESS GRADE OF 1200 PSIOR MORE, TESTING SHALL BE IN ACCORDANCE WITH WEST COAST LUMBER INSPECTION BUREAU, SOUTHERN PINE INSPECTION BUREAU OR OTHER APPROPRIATE ASSOCIATION. TIMBER FOR BLOCKS SHALL BE ROUGH SAWN UNPLANED WITH DIMENSIONS INDICATED. THE SIZE TOLERANCE OF ROUGH SAWN BLOCKS IN THE DIRECTION OF THE BOLT HOLES SHALL BE NOT MORE THAN ± 1/4".
 - SUPPLY WOOD BLOCKS PER AASHTO M 158.
 - TREAT WITH PRESERVATIVE PER AASHTO M 133.
 - BLOCKOUTS MAY ALSO BE MADE OF APPROVED ALTERNATIVE MATERIAL.

GUARDRAIL DELINEATOR



- GENERAL NOTES:
- GUARDRAIL SHALL MEET THE REQUIREMENTS OF AASHTO M 180, CLASS A, TYPE 1, UNLESS OTHERWISE DESIGNATED.
 - GUARDRAIL SHALL BE SINGLE FACED UNLESS OTHERWISE DESIGNATED.
 - GUARDRAIL SECTIONS SHALL BE LAPPED IN THE DIRECTION OF TRAFFIC FLOW FOR THE LANE NEAREST THE GUARDRAIL.
 - FOR DESCRIPTION AND SPECIFICATION OF PARTS IDENTIFIED BY (ARTBA ...) AND OTHER DETAILS OF POSTS, POST ACCESSORIES, FASTENERS & RAIL ELEMENTS, SEE AASHTO-AGC-ARTBA JOINT TASK FORCE NO. 13, TITLED "A GUIDE TO STANDARDIZED HIGHWAY BARRIER HARDWARE", LATEST EDITION.
 - STANDARD STEEL BEAM TO BE 1/2" AND THE HEAVY DUTY TO BE 3/4" THICK.
- OTHER STANDARD REQUIRED G-11

REVISIONS AND CORRECTIONS
 JUNE 1, 1994 - REISSUED, WITHOUT CHANGE, UNDER NEW SIGNATURES.
 JAN. 3, 2000 - UPDATED TO REFLECT METRIC STD. CHANGES.
 JAN. 22, 2014 - UPDATED TO REFLECT HIGHER GUARDRAIL HEIGHT

APPROVED
 HIGHWAY SAFETY & DESIGN ENGINEER
 DIRECTOR OF PROGRAM DEVELOPMENT
 FEDERAL HIGHWAY ADMINISTRATION

STEEL BEAM GUARDRAIL WITH STEEL POSTS
 STEEL BEAM GUARDRAIL WITH WOOD POSTS



STANDARD
 G-1