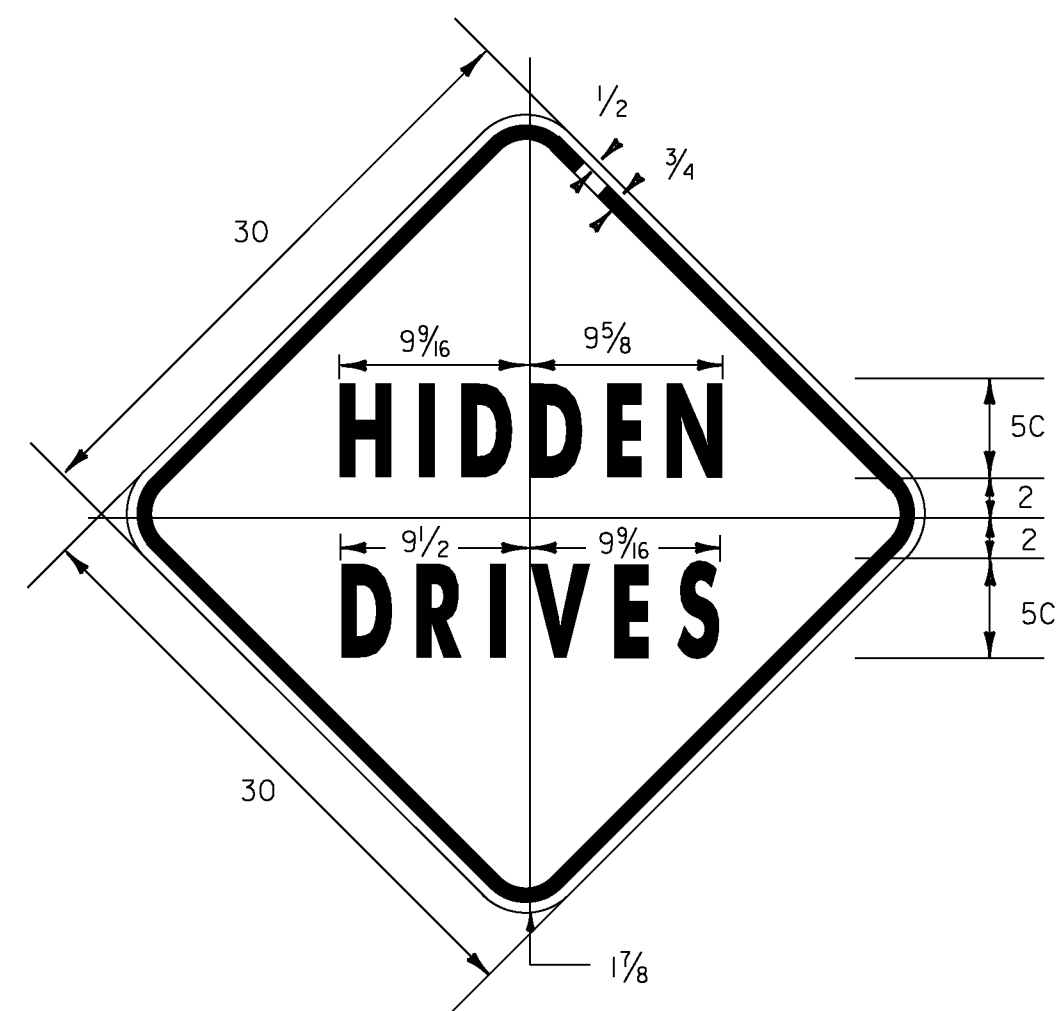


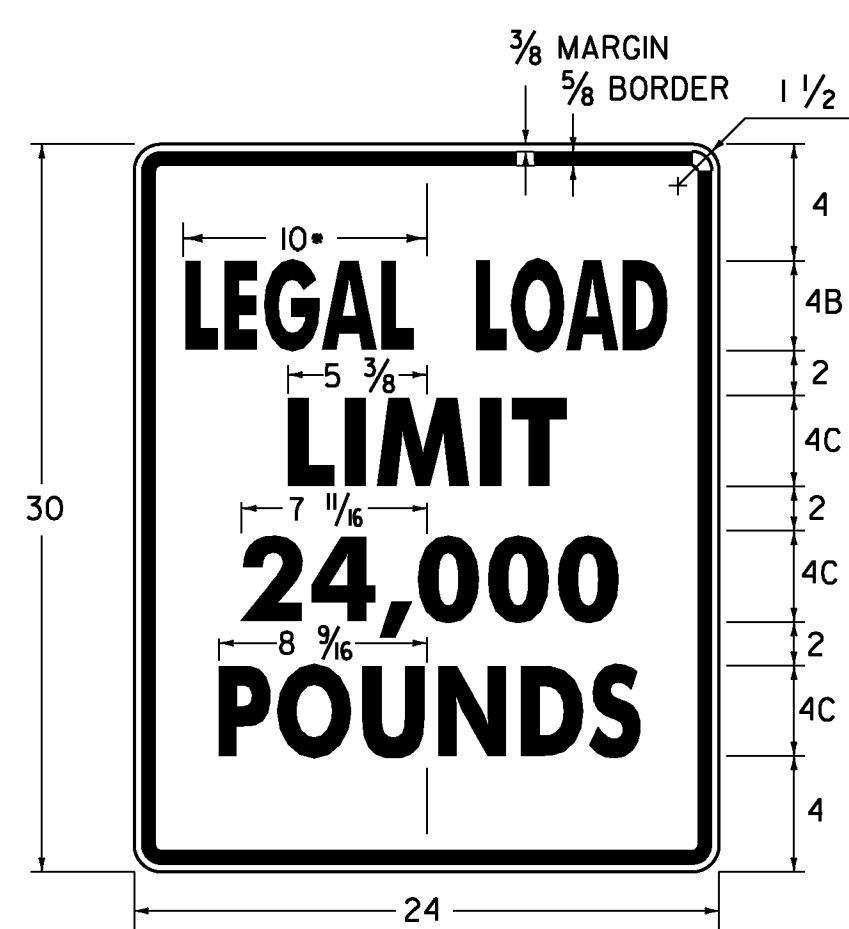
1.875" RADIUS, 0.75" BORDER, 0.50" INDENT
 COLORS: LEGEND - BLACK
 BACKGROUND - YELLOW
 TEXT STYLE: B

VW-205



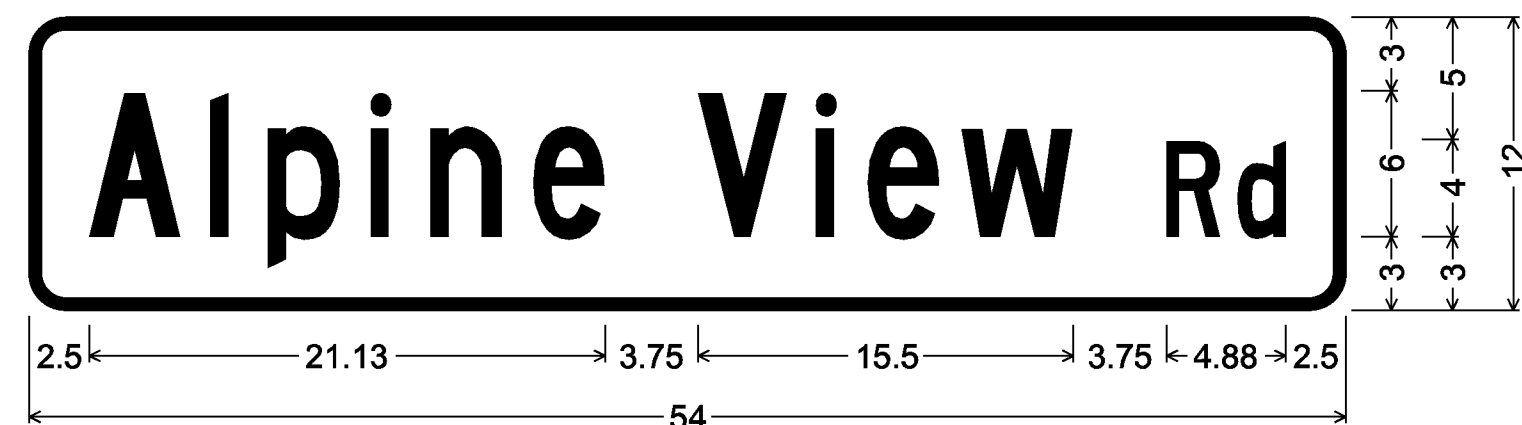
1.875" RADIUS, 0.75" BORDER, 0.50" INDENT
 COLORS: LEGEND - BLACK
 BACKGROUND - YELLOW
 TEXT STYLE: "HIDDEN" C; "DRIVES" C

VW-060



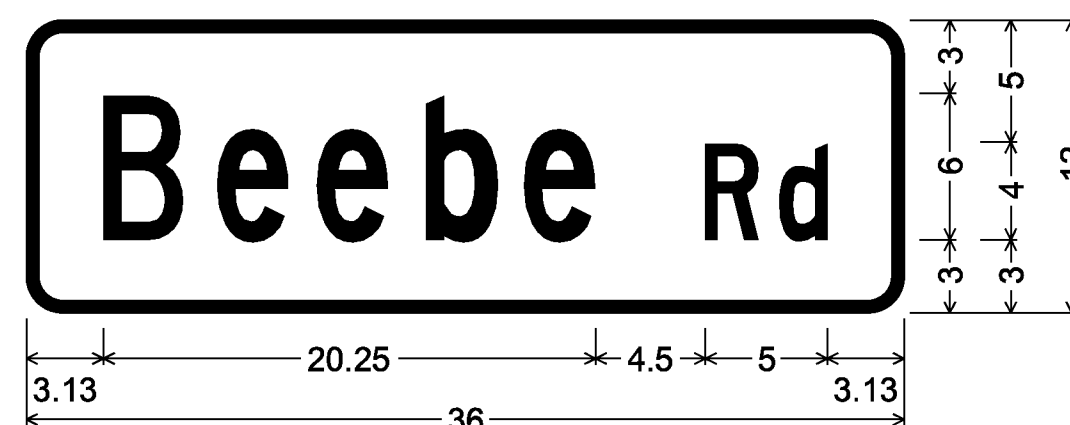
* REDUCE SPACING 50 %
 LINE 3 ALTERNATE - 16,000

VR-017



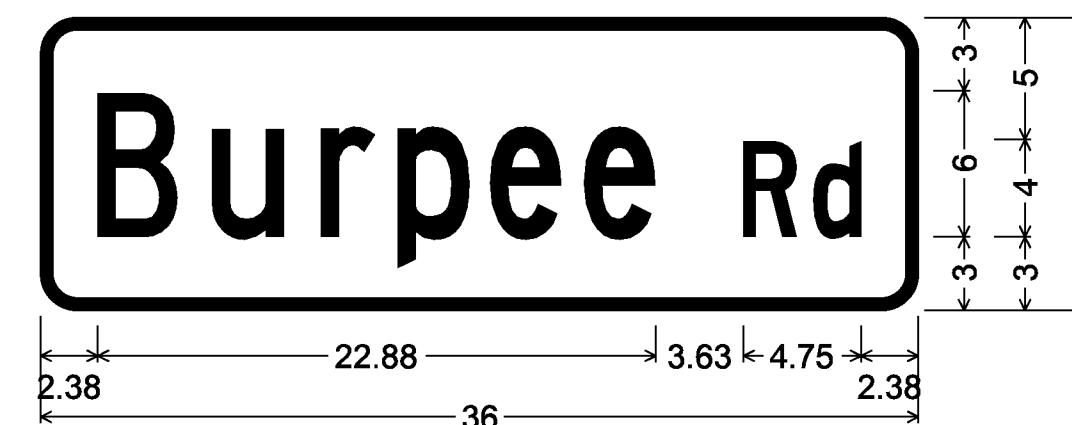
1.50" Radius, 0.50" Border, White on Green;
 [Alpine View Rd] C 85% spacing;

D3-1



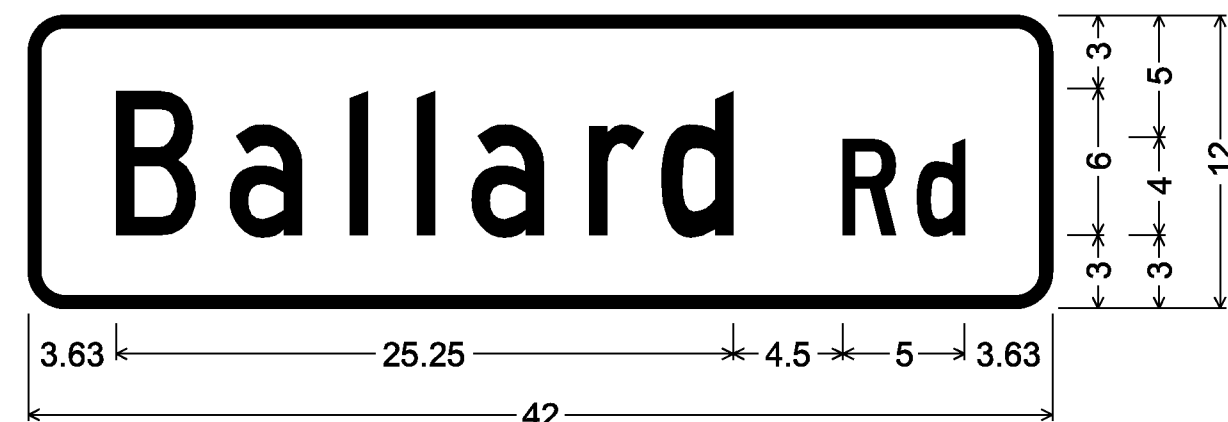
1.50" Radius, 0.50" Border, White on Green;
 [Beebe Rd] C;

D3-1



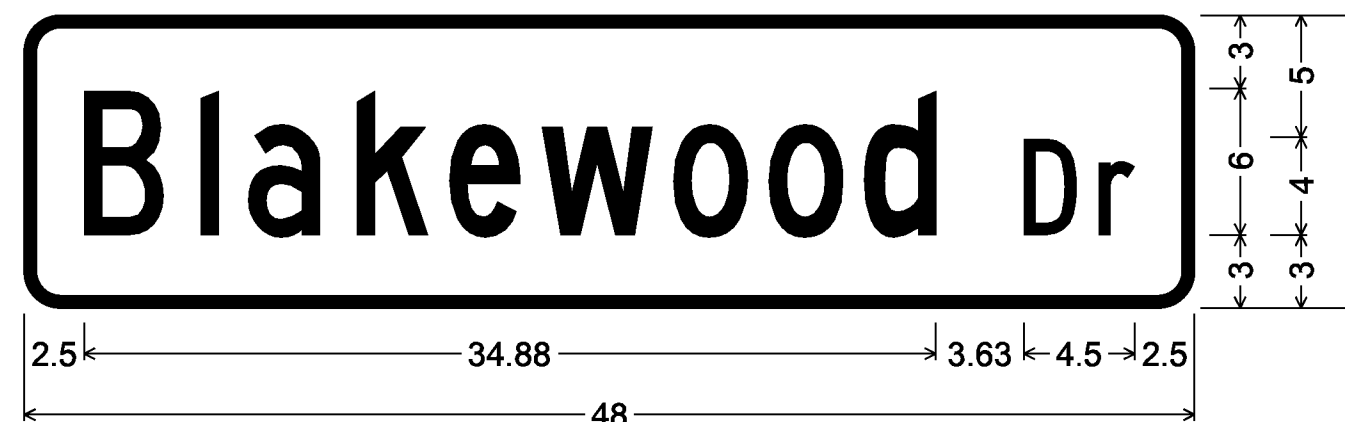
1.50" Radius, 0.50" Border, White on Green;
 [Burpee Rd] C 80% spacing;

D3-1



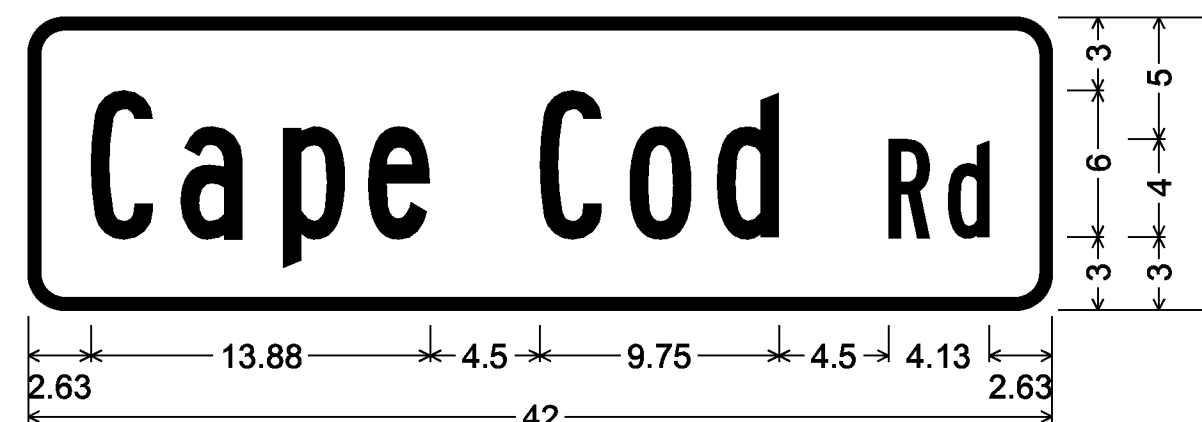
1.50" Radius, 0.50" Border, White on Green;
 [Ballard Rd] C;

D3-1



1.50" Radius, 0.50" Border, White on Green;
 [Blakewood Dr] C 80% spacing;

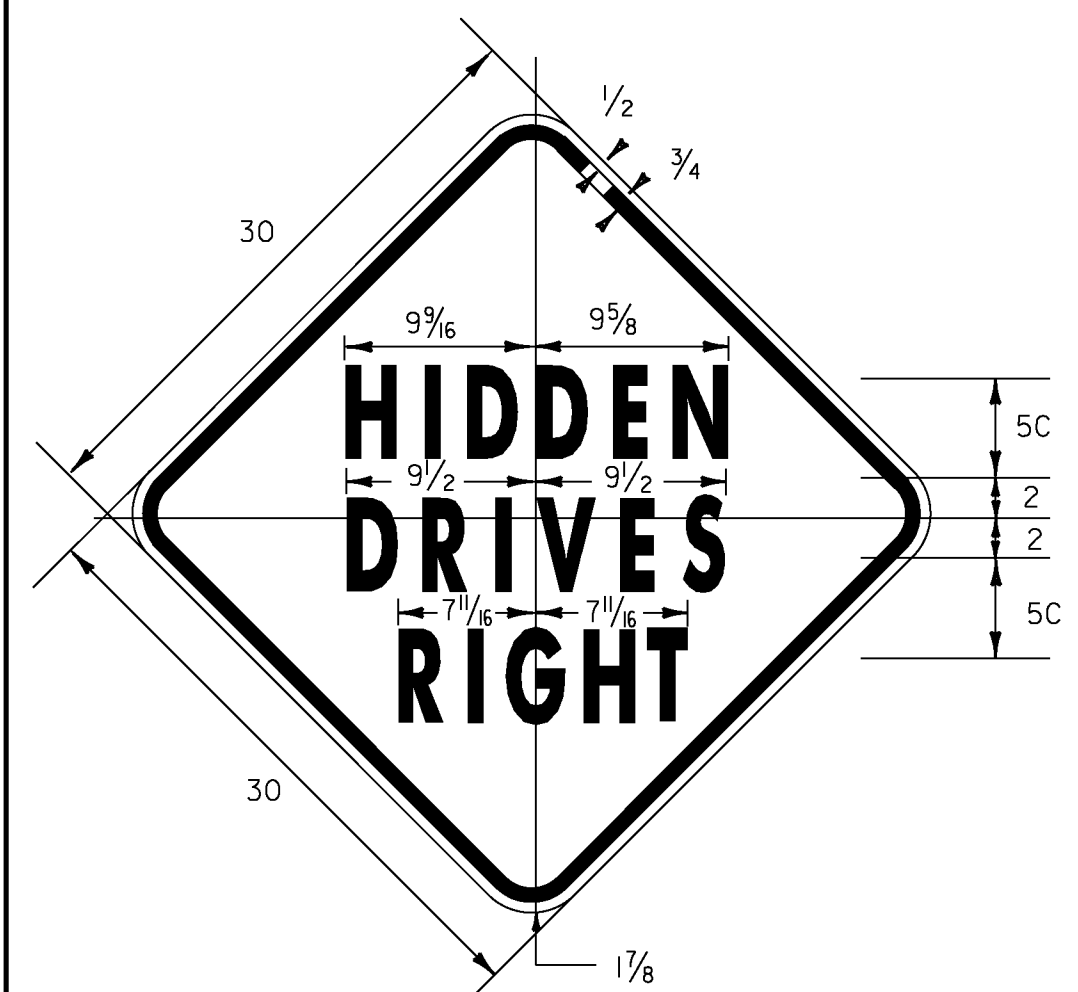
D3-1



1.50" Radius, 0.50" Border, White on Green;
 [Cape Cod Rd] B;

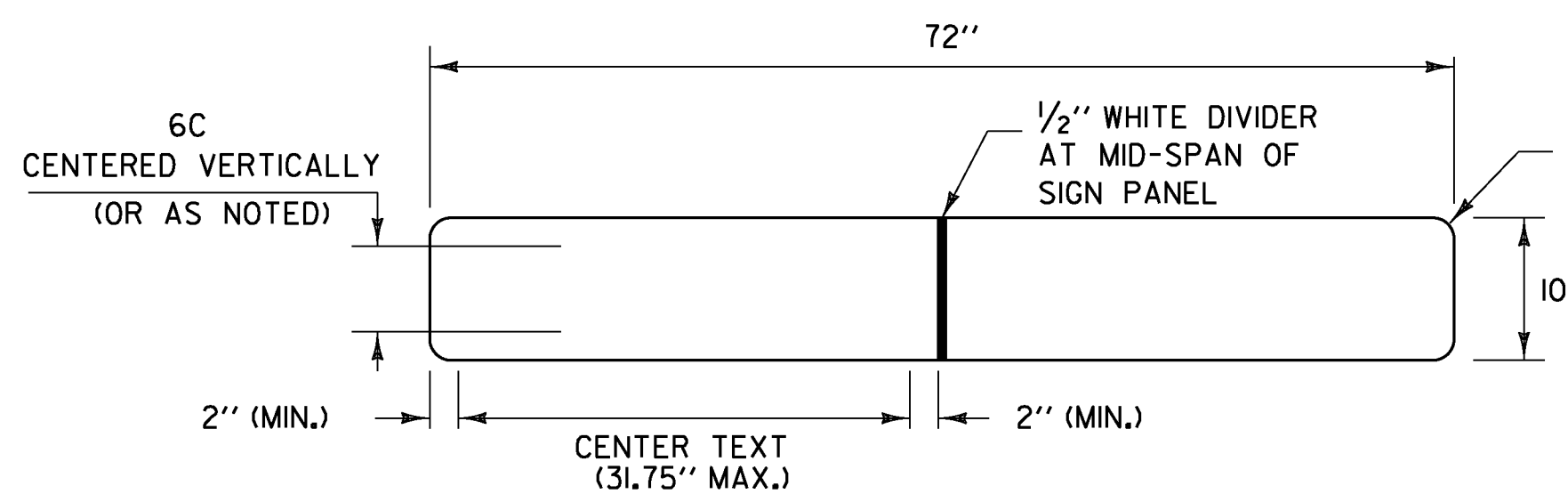
D3-1

NOTE:
 D3-1 SIGNS WILL HAVE NAMES PRINTED ON BOTH SIDES OF SIGN

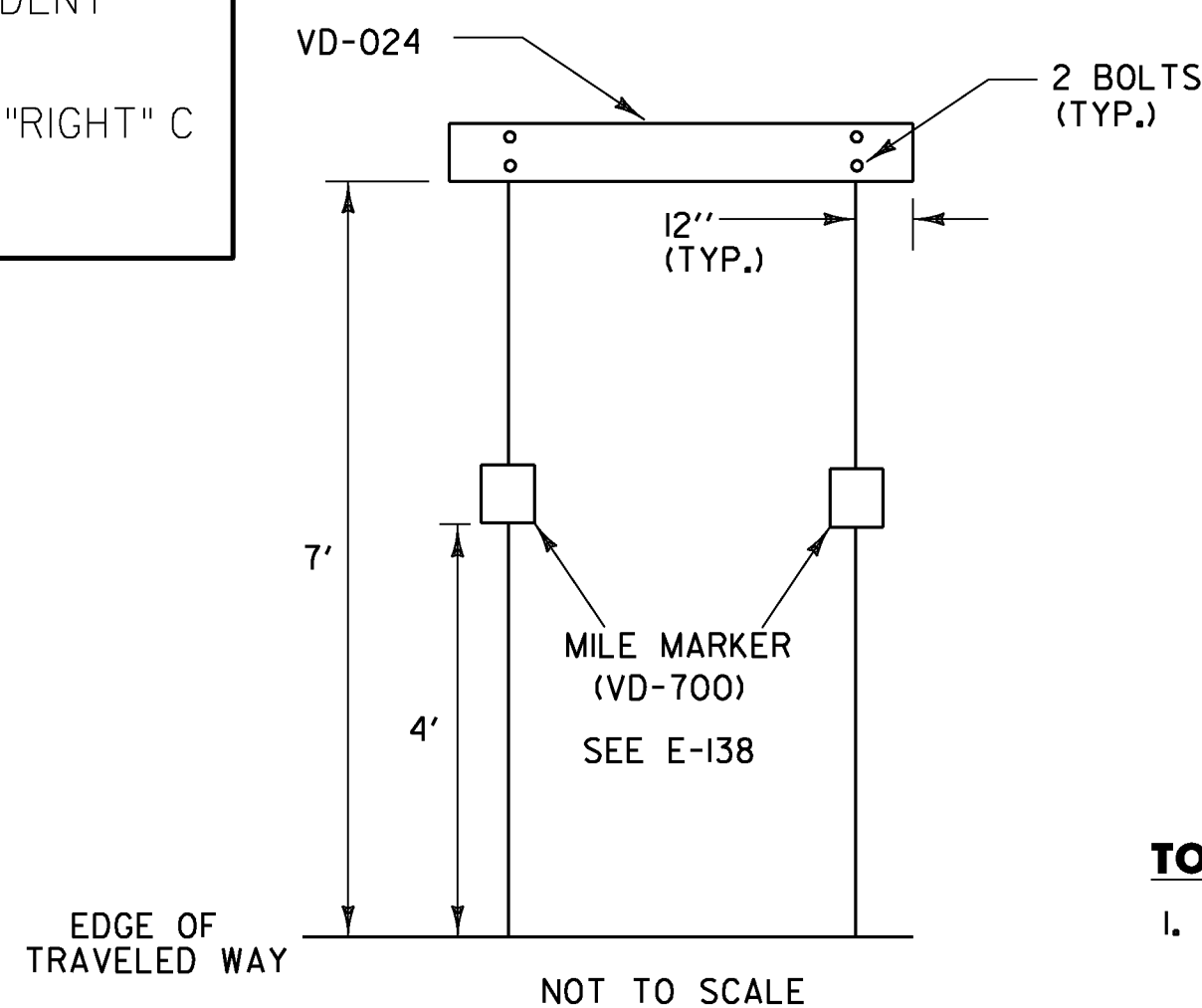


1.875" RADIUS, 0.75" BORDER, 0.50" INDENT
 COLORS: LEGEND - BLACK
 BACKGROUND - YELLOW
 TEXT STYLE: "HIDDEN" C; "DRIVES" C; "RIGHT" C

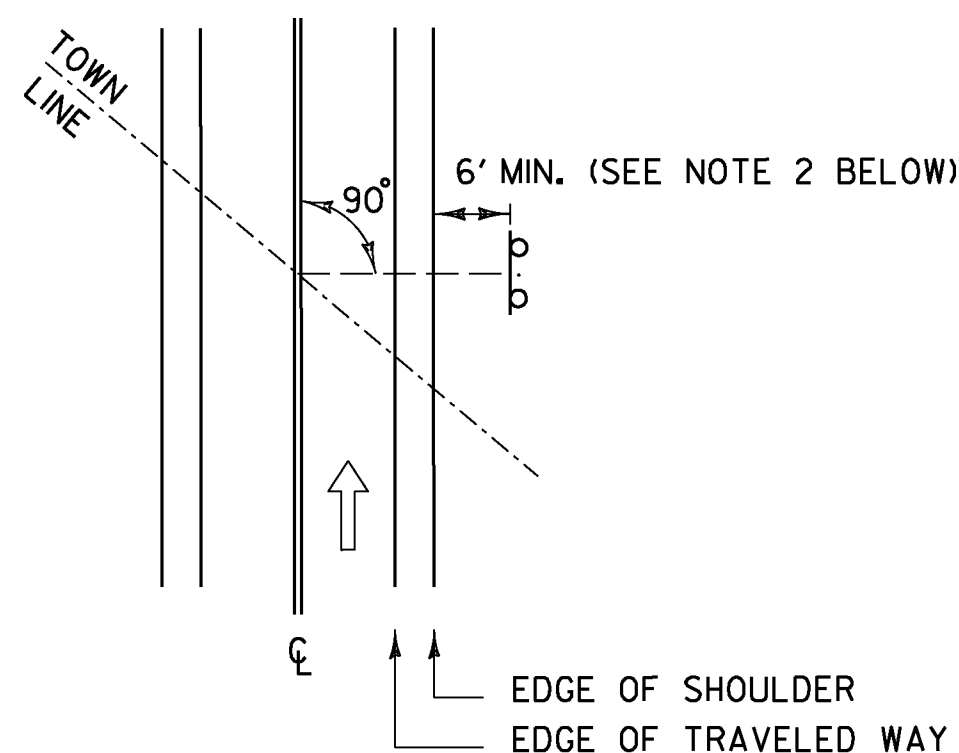
VW-054



VD-024 / VD-025



WHEN CROSSING COUNTY BOUNDARIES, AN ADDITIONAL COUNTY LINE SIGN (VD-025) SHALL BE MOUNTED BELOW THE TOWN LINE SIGN (VD-024), MAINTAINING A SEVEN FOOT CLEARANCE.



TOWN /COUNTY LINE (VD-024 /VD-025) INSTALLATION:

1. THE SIGN SHALL BE MOUNTED PARALLEL WITH THE ROADWAY, NORMALLY ON THE RIGHT SIDE TRAVELING WEST TO EAST OR SOUTH TO NORTH.
2. FOR POST-MOUNTED SIGNS, THE MINIMUM LATERAL OFFSET SHOULD BE 12 FEET FROM THE EDGE OF THE TRAVELED WAY. IF A SHOULDER WIDER THAN 6 FEET EXISTS, THE MINIMUM LATERAL OFFSET FOR POST-MOUNTED SIGNS SHOULD BE 6 FEET FROM THE EDGE OF SHOULDER.

TOWN /COUNTY LINE SIGN NOTES:

1. THE SIGN BASE MATERIAL SHALL BE SHEET ALUMINUM WITH A 0.025" MINIMUM THICKNESS.
2. THE RETROREFLECTIVE MATERIAL SHALL BE SHEETING APPLIED TO THE ENTIRE BACKGROUND OF THE SIGN. THE LEGEND SHALL BE CUT-OUT RETROREFLECTIVE LEGEND. ALL RETROREFLECTIVE MATERIAL SHALL BE EQUAL TO OR EXCEEDING THE "THE AMERICAN SOCIETY OF TESTING AND MATERIALS" (ASTM D 4956) TYPE III.
3. SIGNS SHALL HAVE A WHITE LEGEND ON A GREEN BACKGROUND.
4. LEGEND SHALL CONFORM WITH THE STANDARD ALPHABETS FOR HIGHWAY SIGNS APPROVED BY THE NATIONAL COMMITTEE ON UNIFORM TRAFFIC CONTROL DEVICES.
5. SIGNS SHALL BE FABRICATED IN UPPER/LOWER CASE TEXT AS SHOWN IN SIGN DETAIL. ALL TEXT ON AN INDIVIDUAL SIGN SHALL BE OF THE SAME SIZE AND FONT.
6. ALL DIMENSIONS IN INCHES UNLESS OTHERWISE NOTED.
7. WORD TO WORD SPACING FOR MULTIPLE TEXT TOWN/COUNTY NAMES IS ADJUSTABLE TO ACCOMMODATE DIMENSION REQUIREMENT.
8. DIMENSIONS SHOWN ARE APPROXIMATE AND MAY BE ADJUSTED SLIGHTLY TO ACCOMMODATE VARIOUS MANUFACTURER'S LETTER WIDTHS.

PROJECT NAME:	STATEWIDE NORTHWEST REGION
PROJECT NUMBER:	STP HRRR (17)
FILE NAME:	signdetall.dgn
PROJECT LEADER:	J. DEVLIN
DESIGNED BY:	N. PATTIS
PROJECT SIGN DETAIL SHEET 1	
PLOT DATE:	1/22/2014
DRAWN BY:	N. PATTIS
CHECKED BY:	B. GROSE
SHEET	13 OF 73